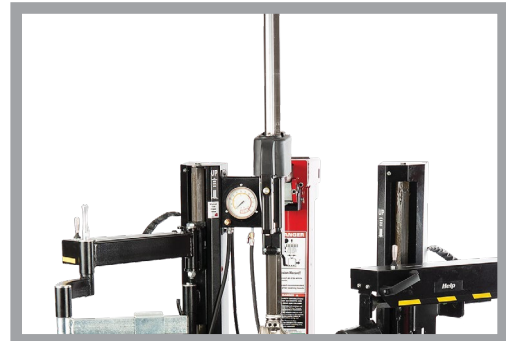


TIRE DEALERS

Maximize Uptime With The Industry's Most Durable Products



T C
□ ▨



Tilt Back Tower



Power Devices



Power Taper Roller

9028E RIM CLAMP TIRE CHANGER

To learn more about Coats products, contact your authorized Coats distributor for the dealer nearest you.

COATS

CONTACT US NOW

www.coatsgarage.com
or call 1-855-876-3864



9028E TIRE CHANGER

SPECIFICATIONS

Wheel Handled	Alloy, Steel, Car and Light Truck
Rim Diameter	10" - 28" External
Maximum Tire Diameter	47" Max
Maximum Rim Width	16" Max
Bead Loosening System	Foot Control, Up to 16" Wide
Wheel Clamping System	4 Cylinder Geared Actuation
Mount/Demount Mechanism	Automatic Tilt Back
Helper Devices	Lower Bead Roller Disc (left and right), Upper Bead Roller (right side), Bead Pressing Arm (left side)
Bead Seating Air Volume	Vertical 5.3 Gallons in Tower
Inflation Gauge	0 - 60 psi
Air Supply Gauge	0 - 230 psi
Electric Drive System	110 V, 60 Hz, 20 amp
Footprint	79"w x 76"d x 86"h
Ship Weight	988 lbs.
Warranty	1 Year Parts, 6 Months Labor
Part Number	8009028

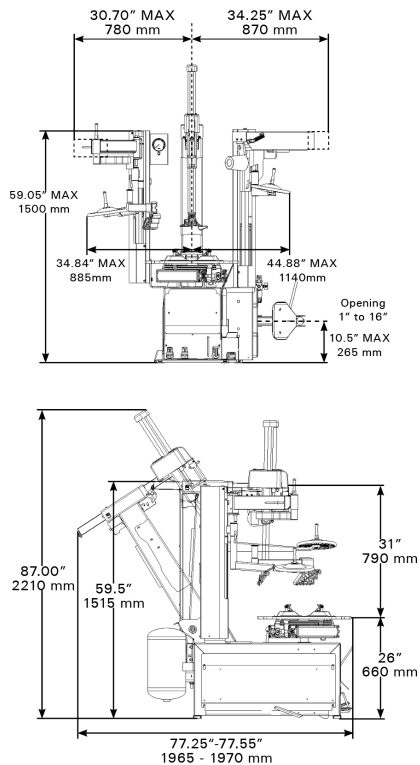
ACCESSORIES

Part Number	Description
84296517	Paste Lube Brush
8183710	Paste Lube Bucket
89219196	Bead Shovel Plastic Protectors
89209612	Clamp Plastic Protectors (6)
89219195	Bead Lever Plastic Protectors (2)
89210961	Plastic Mounting Tool Kit
89209611	Plastic Protectors for Mount/Demount Tool (6)
89236146	Duckhead® Plastic Protectors
83006970	Bead Lifting Lever
8185590	Clamp Extensions (4)

RECOMMENDED OPTIONAL ACCESSORIES

889233410	Extension Foot
89240910	Wheel Lift

EQUIPMENT FOOTPRINT



COATS®