

COATS®

Wheel Balancer Models 1300 2D, 1400 2D, 1500 3D & 1600 3D



Model 1300



Model 1400



Model 1500



Model 1600

Parts Identification

READ these instructions before placing unit in service. KEEP these and other materials delivered with the unit in a binder near the machine for ease of reference by supervisors and operators.

HENNESSY
INDUSTRIES

1601 J. P. Hennessy Drive, LaVergne, TN USA 37086 615/641-7533 800/688/6359 www.coatsgarage.com
HENNESSY INDUSTRIES INC. Manufacturer of AMMCO®, COATS® and BADA® Automotive Service Equipment and Tools.

Manual Part No.: 85610676 07
Revision: 12/17

Parts Identification

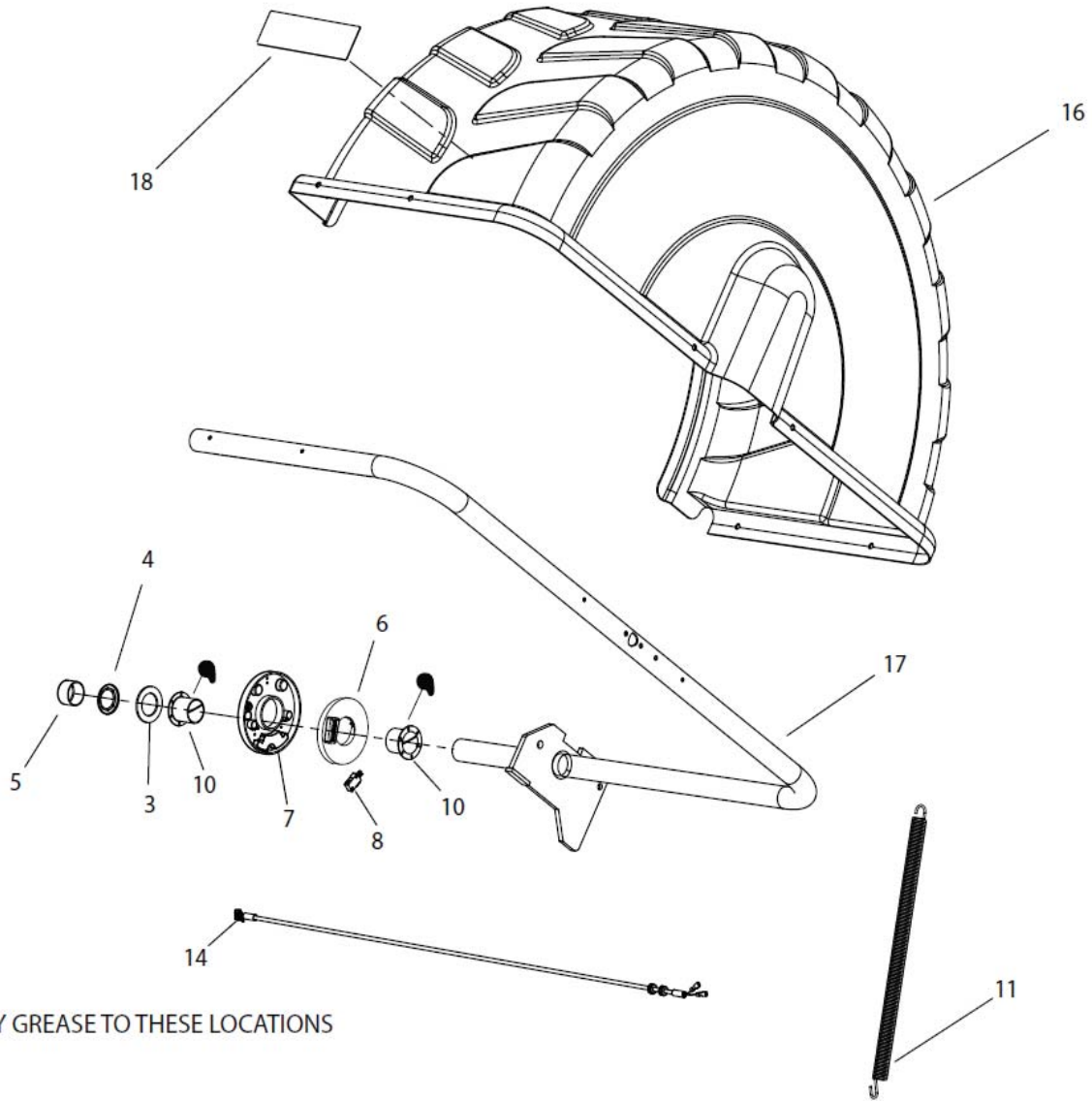
The following pages include parts breakdowns with exploded view illustrations to help with ordering replacement or spare kits. Assemblies are noted where it is recommended that individual parts not be ordered separately. Note that the parts view illustrations are for multiple models and not all parts shown are on all models. Every effort is made to supply accurate exploded views, however, due to interim changes in manufacturing operations, some units may not be exactly as illustrated.

Table of Contents

| | |
|--|----------------|
| Wheel Guard Assembly..... | 3 |
| Wheel Guard Hood Damper (1600 only) | 5 |
| Chassis Assembly | 6 |
| Distance Gauge Assembly | 7 |
| Motor Assembly | 8 - 9 |
| Motor Shroud w/Hood LED Bar & Switch..... | 10 |
| 1300/1400/1500/1600 Monitor Assemblies . | 12 - 13 |
| 1300/1400 Non-Inverter Model | 14 - 15 |
| 1500/1600 Inverter Models..... | 16 - 17 |
| Label Locations..... | 18 |

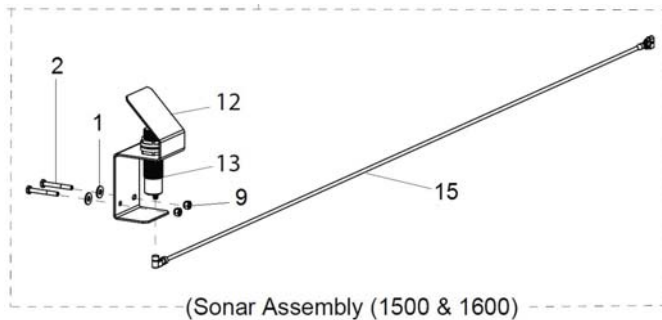
Intentionally left blank

Wheel Guard Assembly

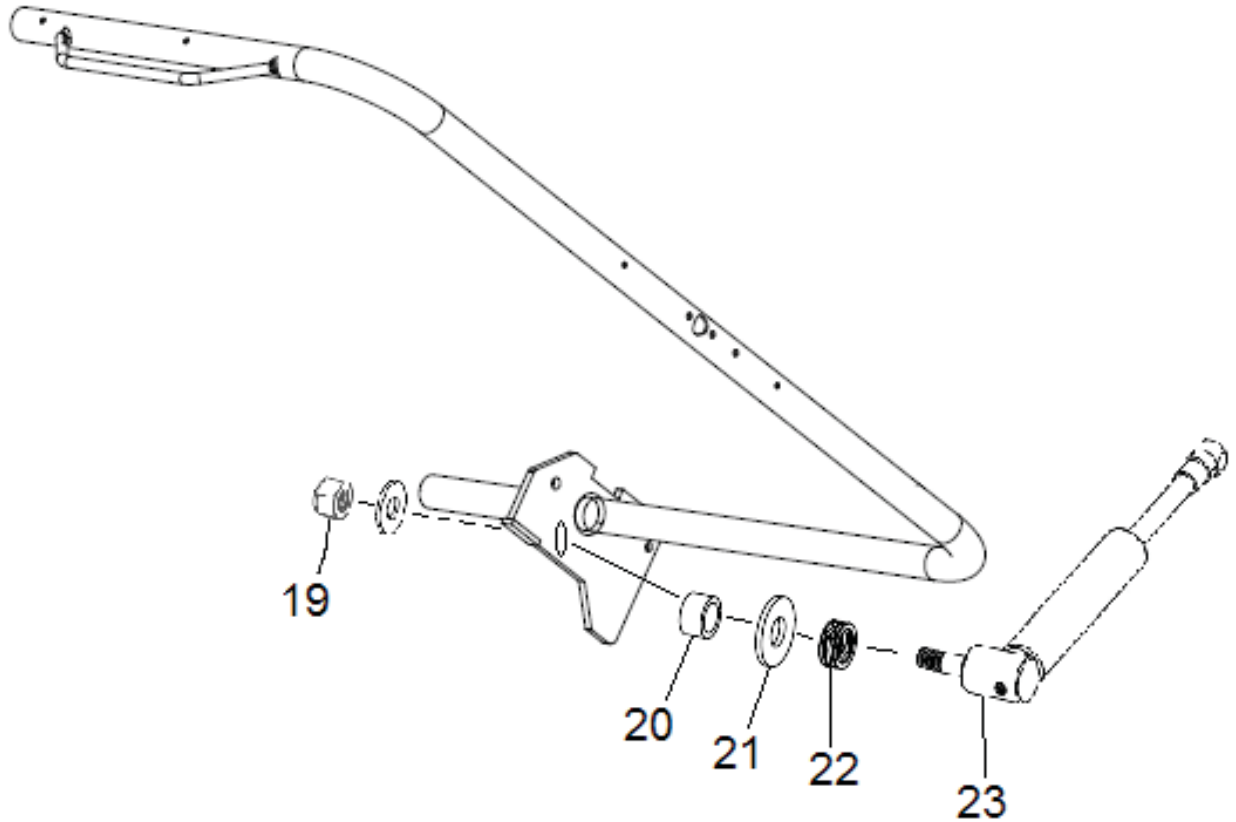


APPLY GREASE TO THESE LOCATIONS

| Item | Part No. | Description |
|------|----------|----------------------------|
| 1 | 8000745 | 1/4 Flat Washer |
| 2 | 8109802 | Screw, HHCS, 1/4-20 X 2.00 |
| 3 | 8109944 | Washer - Hood Bar |
| 4 | 8109945 | Retainer - Washer 1 1/2" |
| 5 | 85611317 | Plug - Hood, w/Hole |
| 6 | 8113332 | Cam/Cover Hood Switch |
| 7 | 8113333 | Housing-Hood Switch |
| 8 | 8113334 | Switch-Micro, Limit |
| 9 | 8181369 | 1/4-20 UNC Screw |
| 10 | 8307014 | Bearing - Flanged, Nylon |
| 11 | 8308062 | Spring - Hood, Extension |
| 12 | 85000303 | Bracket - Sonar |
| 13 | 85000304 | Sonar Module |
| 14 | 85609820 | Assy, Hood Switch Cable |
| 15 | 85610231 | Cable-Sonar, Hood |
| 16 | 85610517 | Hood-Wheel |
| 17 | 8114319 | Weldment - Bar, Hood |
| 18 | 85610679 | Decal - Warning |



Wheel Guard Hood Damper (1600 Only)

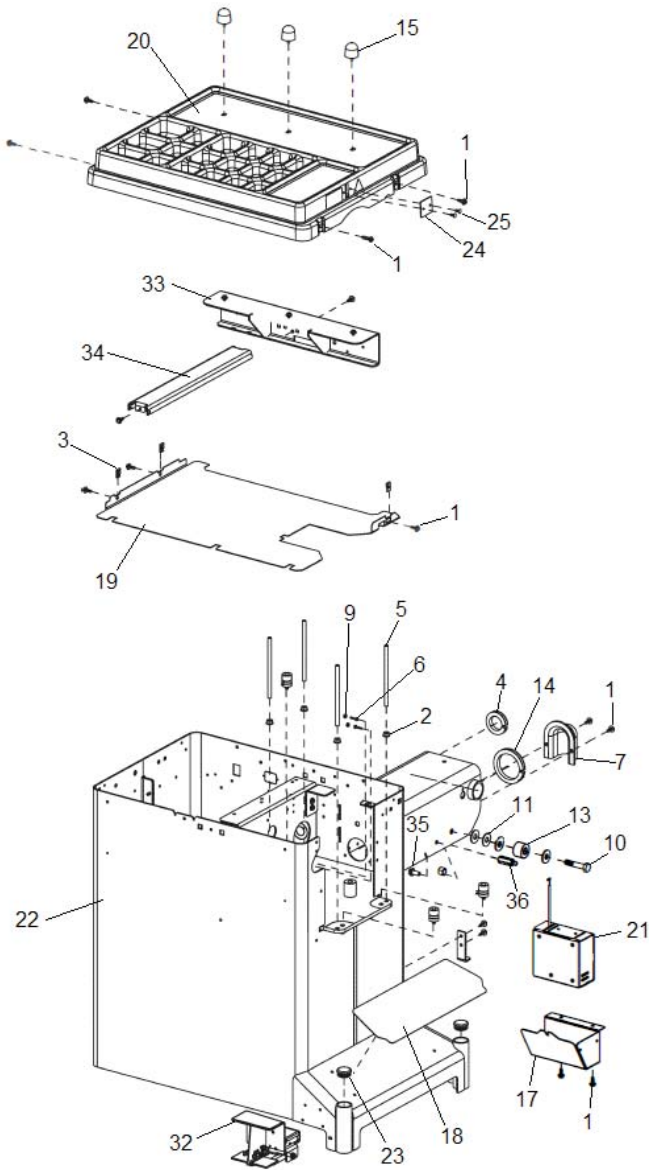


| Item | Part No. | Description |
|------|----------|------------------------|
| 19 | 8000525 | Nut-Hex, Lk, 5/16-18 |
| 20 | 85610947 | Bearing-Slve,Brnz |
| 21 | 8000745 | Flat Washer - 1/4 |
| 22 | 85611227 | Spring - Comp, Hi-Load |
| 23 | 85610951 | Damper - Hood |

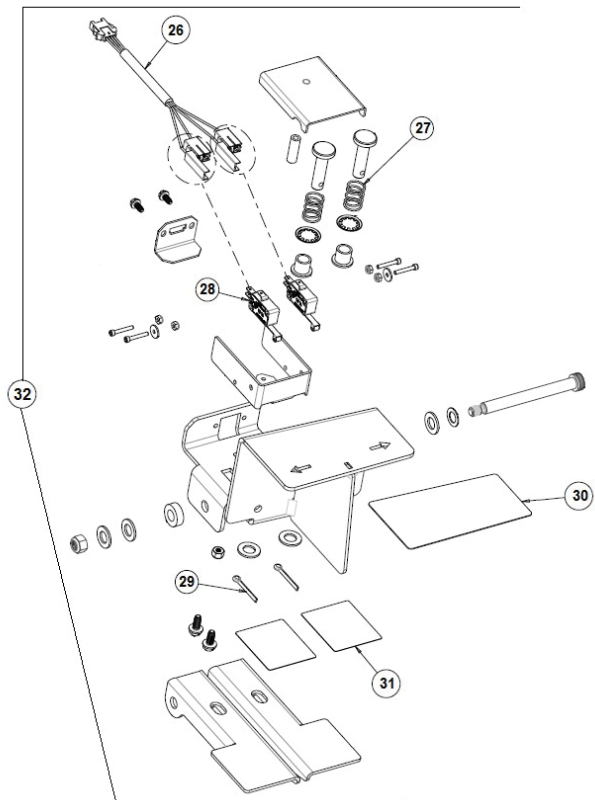
Chassis Assembly

| Item | Part No. | Description |
|------|----------|-----------------------------------|
| 1 | 8106301 | Screw-1/4-20 X .75 |
| 2 | 8106303 | Nut - 3/8 - 16 UNC |
| 3 | 8106304 | Fastener - Skin, Tinnerman |
| 4 | 85610661 | Grommet-Inverter Port |
| 5 | 8108727 | Rod - Threaded |
| 6 | 8110560 | Screw - 8-32 UNC X .75" Lg. |
| 7 | 8111029 | Cover - Rear Harness |
| 8 | 8114266 | Assembly - Piezo |
| 9 | 8301084 | Nut, #8-32 Kep |
| 10 | 8301120 | Screw - HHCS |
| 11 | 8301121 | Washer, Plain .562idx1.375odx.109 |
| 12 | 8301112 | 1/2-13 Hex Nylock Nut |
| 13 | 8309008 | Molding - Stop, Hood |
| 14 | 85606581 | Grommet - Flex |
| 15 | 85608850 | Stud-Weight Tray |
| 16 | 85610698 | Bracket - Anti Tilt |
| 17 | 85610571 | Cover-Computer, Monitor |

| Item | Part No. | Description |
|------|----------|---|
| 18 | 85610578 | Pad, Anti-Skid |
| 19 | 85610583 | Shield - Weight Tray |
| 20 | 85610587 | Assy-Tray, Laser Shield (Includes 85610588 & 85610274) |
| 21 | 85610592 | Assy-Display Computer |
| 22 | 85610596 | WLDMNT - Chassis, Split, Skirted |
| 23 | 85610733 | Cap - Plug |
| 24 | 85610962 | Black Shield (1300 & 1400) |
| | 85610588 | Laser Shield (1500 & 1600) |
| 25 | 85610274 | Plastic Rivet |
| 26 | 85611020 | Pedal Switch Harness |
| 27 | 929195 | Compression Spring |
| 28 | 85609746 | Foot Pedal Switch |
| 29 | 8102278 | Cotter Pin |
| 30 | 85611015 | Pedal Ops Decal |
| 31 | 85611013 | Pedal Grip Pad |
| 32 | 85611000 | Pedal Assembly |
| 33 | 85610586 | Tray Support Bracket |
| 34 | 85610584 | Tray Stringer |
| 35 | 8106302 | Screw, HHCS,3/8-16X7/8, WHZLK,G5 |
| 36 | 85610944 | Standoff-Stud,Ball,10mm |

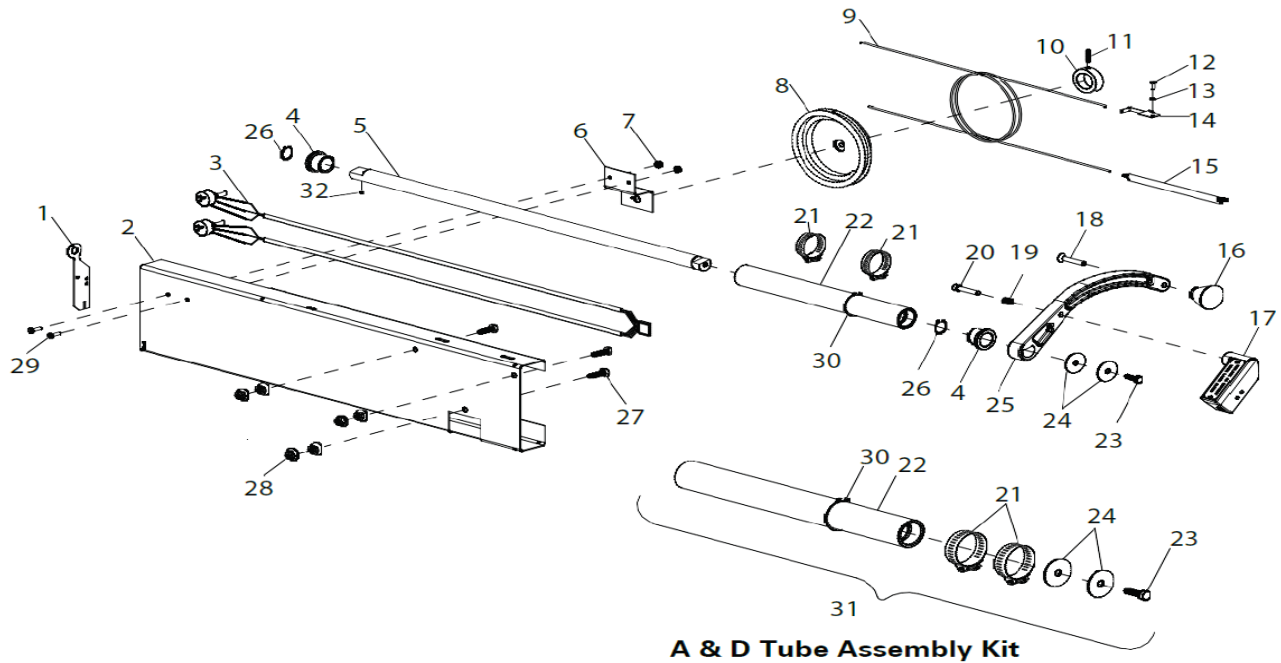


Pedal Assembly (1600 Only - if equipped)

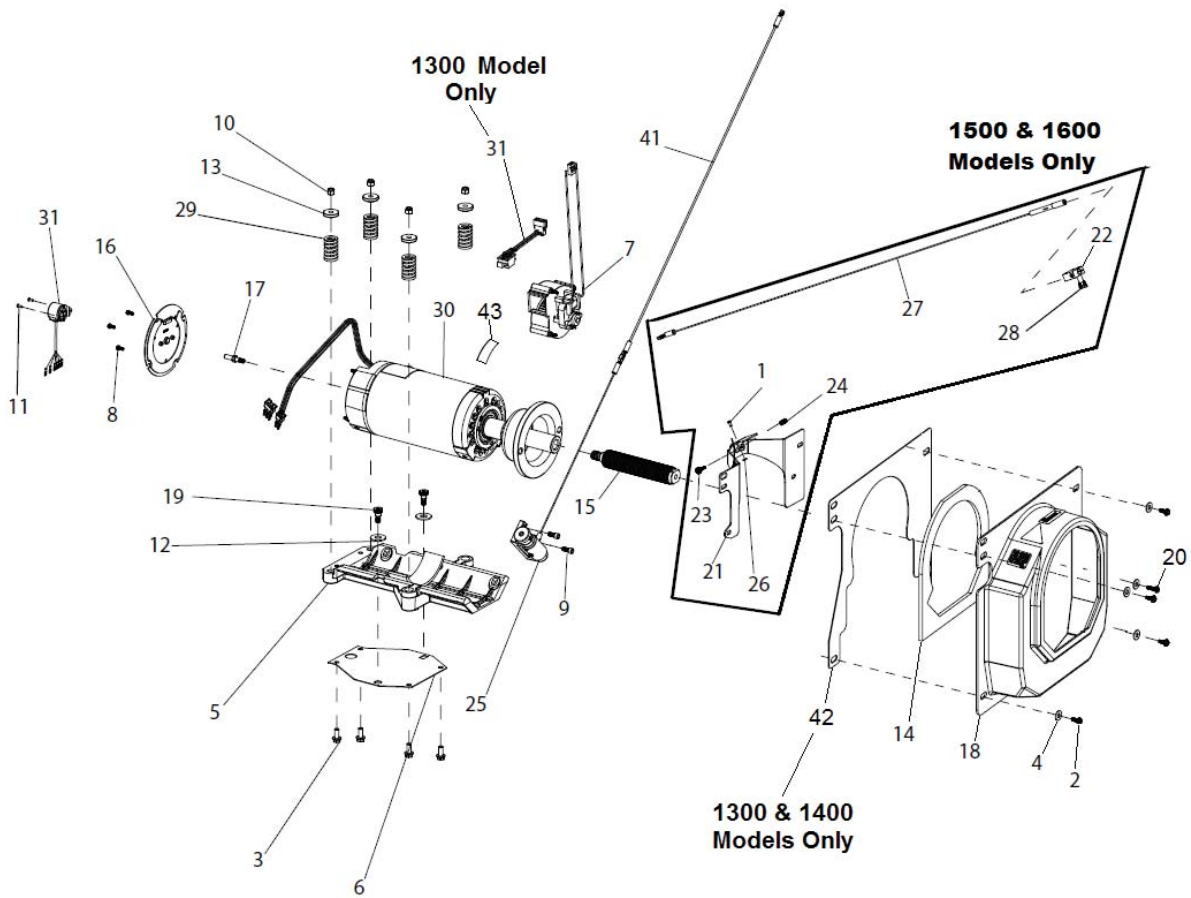


Distance Gauge Assembly

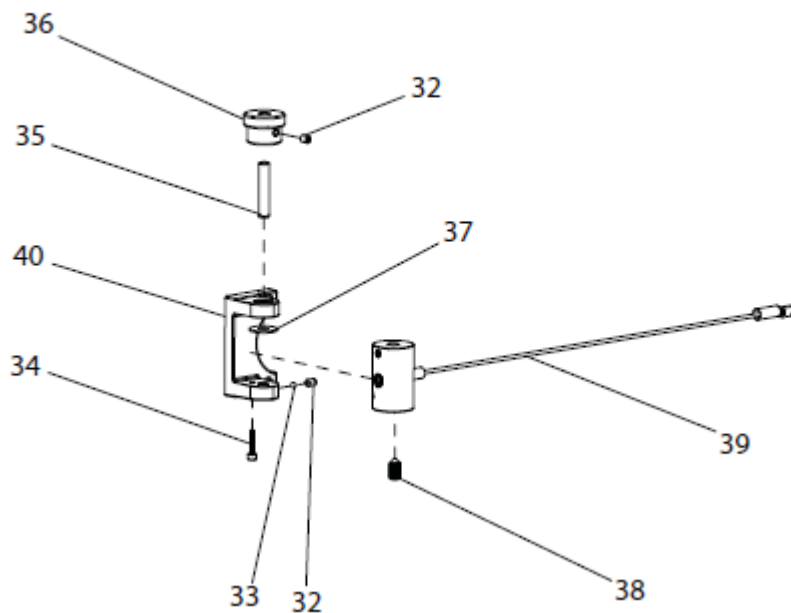
| Item | Part No. | Description | Item | Part No. | Description |
|------|----------|------------------------------|------|----------|------------------------------|
| 1 | 8114254 | A & D Pendulum | 18 | 8111173 | 1/4-20 x 1-1/2 FHS Screw |
| 2 | 8114251 | A & D Bracket | 19 | 8114380 | Compression Spring |
| 3 | 85609866 | A & D Pots with Harness Assy | 20 | 8114379 | SHC 1/4-20 x 1-1/4 lg. Screw |
| 4 | 85000730 | Distance Rod Bushing | 21 | 8114264 | Hose Clamp |
| 5 | 80180018 | A & D Rod | 22 | 8114255 | A & D Tube |
| 6 | 8114258 | A & D Pot Bracket | 23 | 85000731 | Hex HD Cap Screw |
| 7 | 8301084 | #8-32 Kep Nut | 24 | 8111032 | 1/4 Fender Washer |
| 8 | 80180017 | Distance Pot Pulley | 25 | 8114373 | Arm |
| 9 | 80180022 | String | 26 | 903174 | Retaining Ring |
| 10 | 8114403 | Pulley Collar | 27 | 8301534 | 1/4-20 x 7/8 HHC Screw |
| 11 | 8114404 | 10-24 x 3/4 SHSS Screw | 28 | 8143169 | 1/4-20 Whiz Lock Hex Nut |
| 12 | 80180020 | Spring Bracket, 3MM Screw | 29 | 8111542 | #8-32 X 5/8" SEM Screw |
| 13 | 80180021 | Washer 3MM | 30 | 8100964 | 1 1/4-inch Retaining Ring |
| 14 | 80180019 | String Bracket | 31 | 85000732 | A&D Arm Tube Assembly Kit |
| 15 | 80180023 | Spring | 32 | 85609880 | M6 x 12mm SHSSCP Screw |
| 16 | 8114253 | Cone | | | |
| 17 | 85009229 | Line Laser | | | |



Motor Assembly



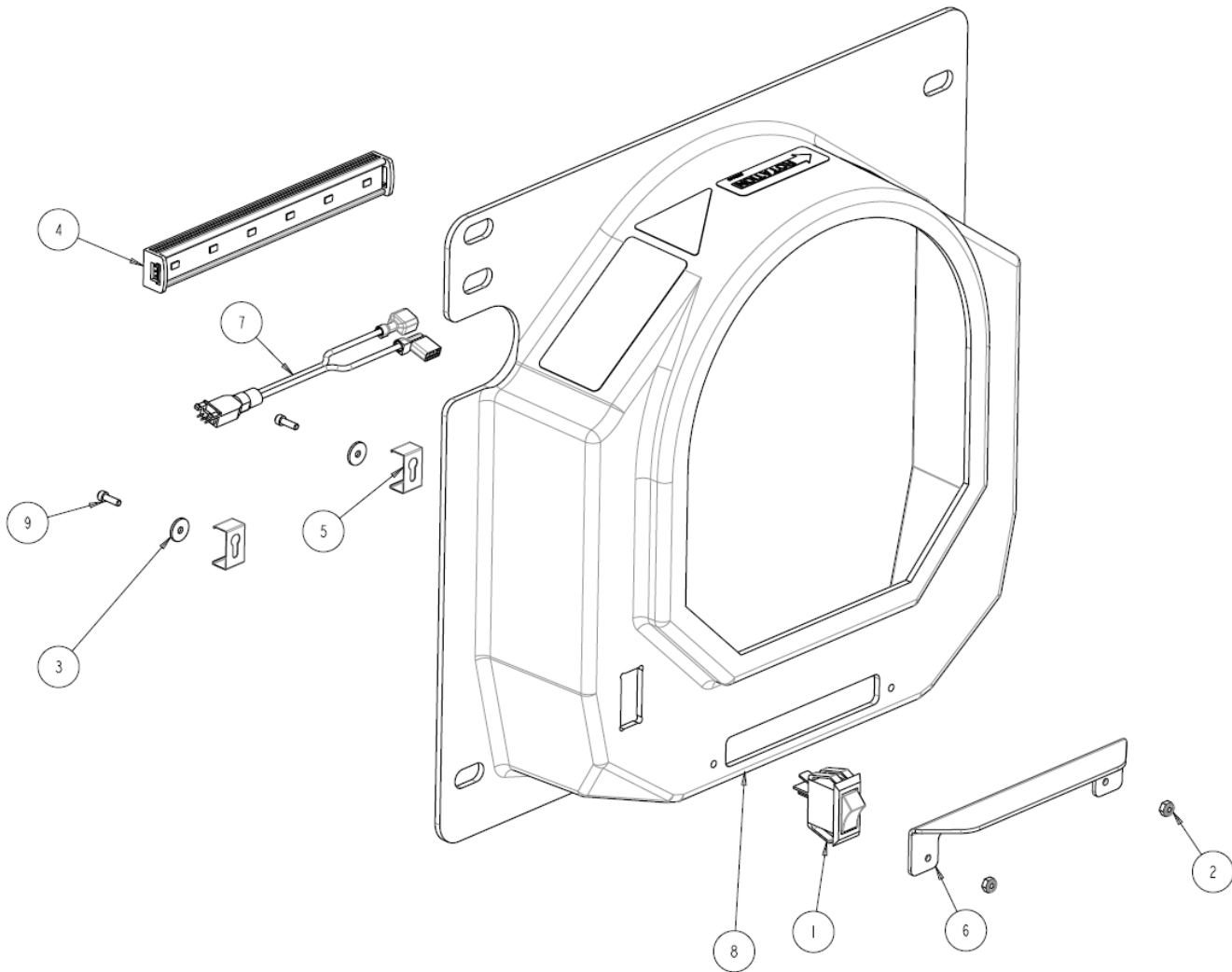
Rotary Laser Assembly



Motor Assembly

| Item | Part No. | Description |
|------|----------|---|
| 1 | 920615 | 8-32 X .375 BHCS |
| 2 | 8106301 | Screw-1/4-20 X .75 |
| 3 | 8106302 | Screw - HSWF, 3/8-16 X 7/8 |
| 4 | 8107635 | Washer-Flat, 5/16 |
| 5 | 8110430 | Ass'y. - Cradle |
| 6 | 8112182 | Flex - Plate |
| 7 | 8114265 | Assembly - Fan |
| 8 | 8144110 | Screw - Hex Washer Head |
| 9 | 8182149 | Screw - SHC 5/16-18 X 3/4 |
| 10 | 8301035 | Nut-3/8-16 Hex Nyloc |
| 11 | 8301067 | Screw - #6-32 PHIL |
| 12 | 8301121 | Washer, Plain .562 ID |
| 13 | 8308036 | Retainer - Piezo Spring |
| 14 | 8308536 | Motor Gasket |
| 15 | 85009204 | Shaft-Extension, 40MM |
| 16 | 85009970 | Cover - Rear End Bell (1500 & 1600) |
| | 8308513 | Cover - Rear End Bell (1400) |
| 17 | 85009971 | Shaft - Encoder Drive |
| 18 | 85610748 | Shroud-Motor, Assy (1400, 1500 & 1600) |
| | 85608997 | Shroud-Motor, Assy (1300) |
| 19 | 85609427 | Bolt-SHSS, 1/2 X 3/8-16 |
| 20 | 85609826 | Screw-HWHMS, 1/4-20 |
| 21 | 85610269 | Bracket-Inboard Laser Posn |
| 22 | 85610271 | Mount Block-12mm Dia Laser |
| 23 | 85610273 | Screw-Thumb, #8-32 X 7/8 |
| 24 | 85610275 | Spring,.360 X 3/4" |
| 25 | 85610280 | Laser Assy-Rotary, Jst |
| 26 | 85610282 | Washer, #8, Hard Fiber |
| 27 | 85610536 | Assy-Cable, Line, Laser |
| 28 | 85610579 | Screw-#8-32X3/8 SHCS |
| 29 | 85610682 | Spring - Piezo, Precision |
| 30 | 85010010 | Motor Replacement Kit (40mm) |
| 31 | 85610094 | Encoder (1500 & 1600) |
| | 8110923 | Encoder (1400) |
| | 8308817 | Rotary Shutter (1400) |
| | 8110923 | Encoder Assembly (1300) |
| 32 | 902308 | Set Screw |
| 33 | 906407 | Ball-Nyln, .187 |
| 34 | 928367 | Screw, SHCS 10-24 UNC |
| 35 | 8114237 | Dowel 3/8 X 2" LG. |
| 36 | 8114241 | Knob |
| 37 | 8114242 | Plastic Washer |
| 38 | 85610252 | Screw-Set, Cn Pt,3/816,.75" LG |
| 39 | 85610268 | Cylinder Assy-Laser, Rotary |
| 40 | 85610399 | Bracket-Assy, W/Brg |
| 41 | 85610265 | Cable Assy - 36", JST |
| 42 | 85609063 | Motor Cover Shield (1300 & 1400) |
| 43 | 85611016 | Caution, Pinch Point (1600 - if equipped) |

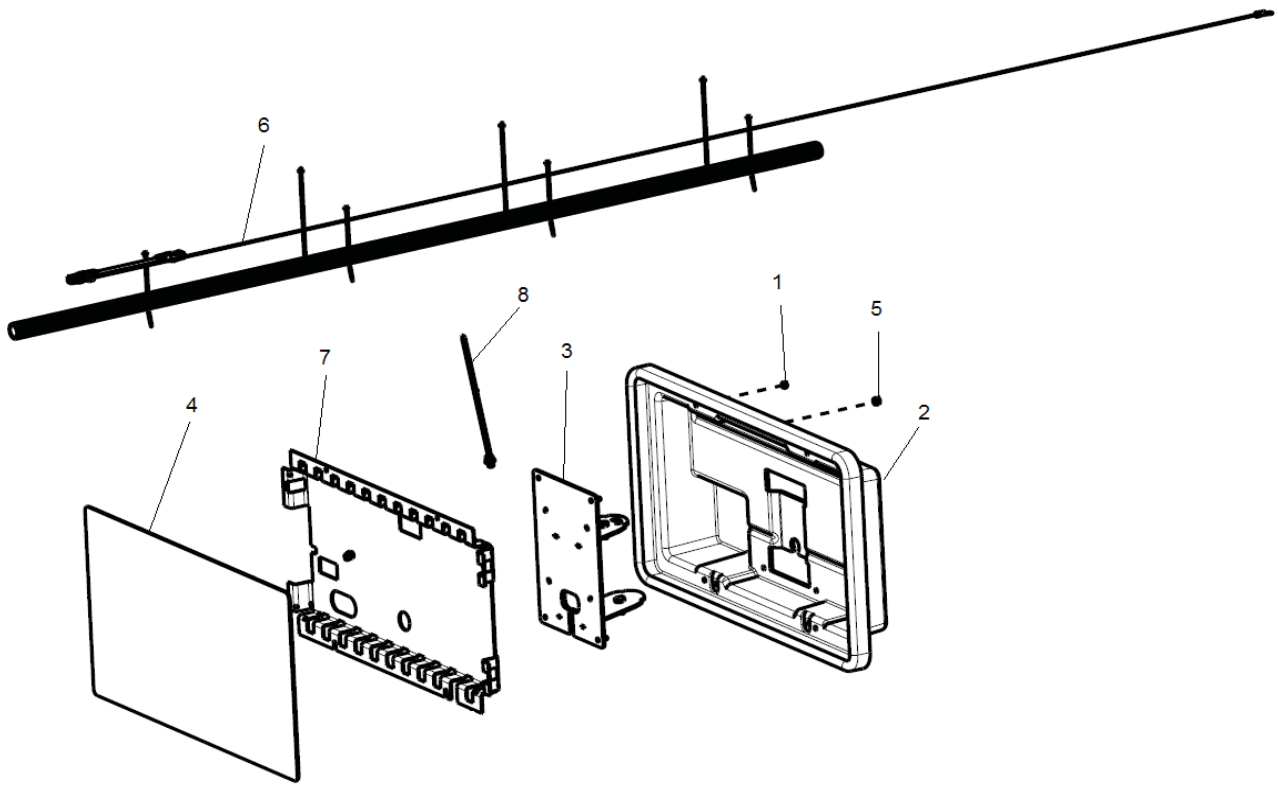
Motor Shroud (1600 with Hood LED Bar & Switch)



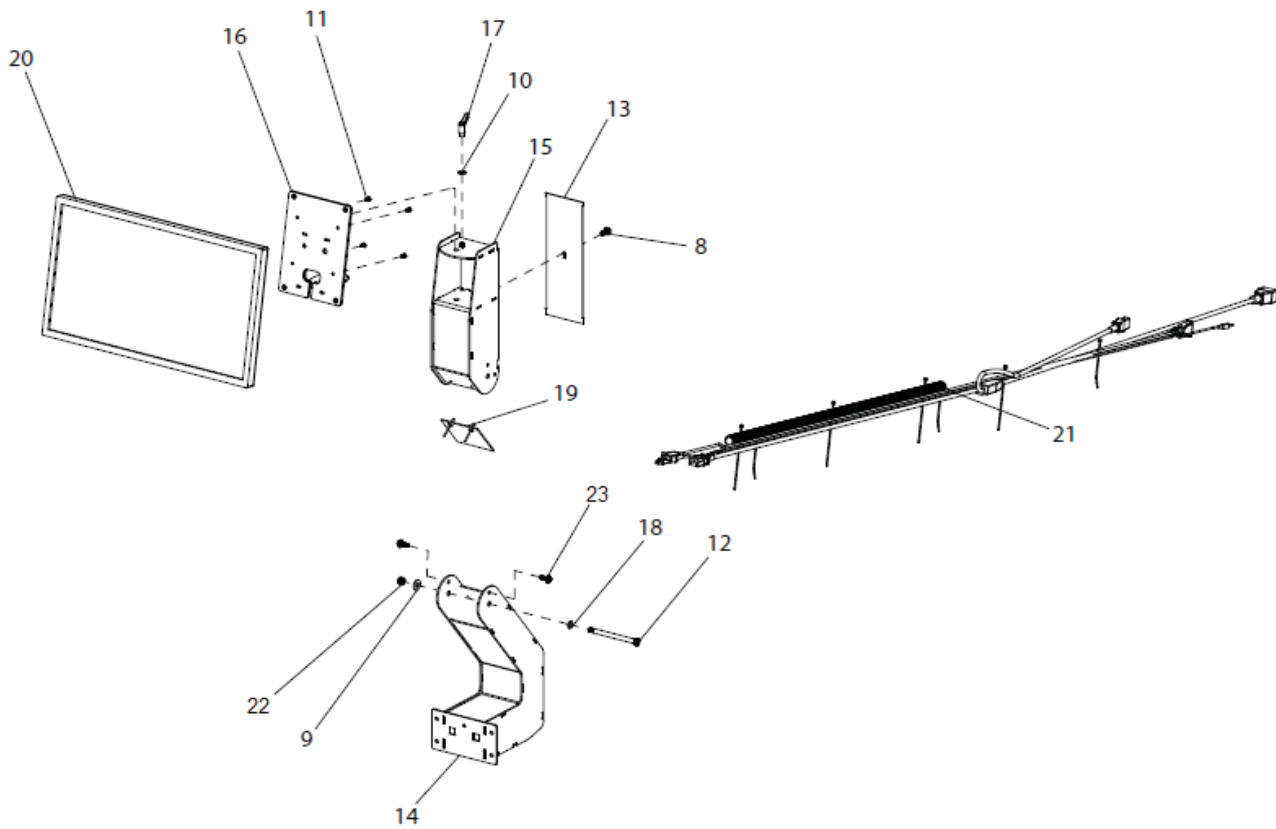
| Item | Part No. | Description |
|------|----------|------------------------------|
| 1 | 8305802 | Switch-ON/OFF |
| 2 | 85000357 | Nut - Nylok #4-40 |
| 3 | 85609410 | Washer-#4 Flat,.125IDX.438OD |
| 4 | 85611210 | LED-6IN,Luxbar |
| 5 | 85611211 | Clip-Bar,LED |
| 6 | 85611216 | Hood-LED,Shroud |
| 7 | 85611218 | Harness-Power,LED |
| 8 | 85611233 | Shroud-Motor, ASM, Routed |
| 9 | 8112073 | Screw-BHCS,#4-40 X 1/2 LG. |

Intentionally left blank

1300/1400/1500 Monitor Assembly



1600 Monitor Assembly



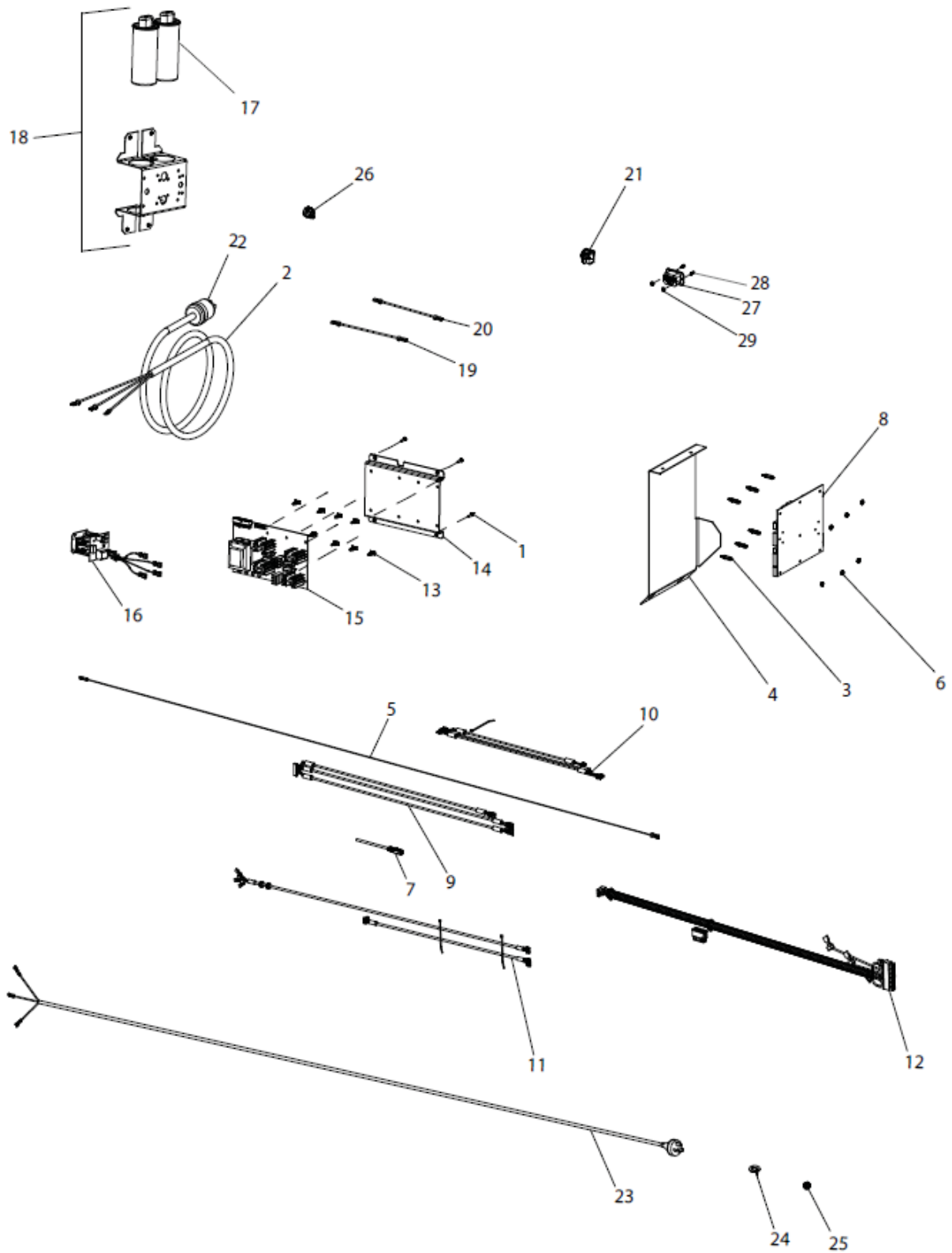
1300/1400/1500 Monitor Assembly

| Item | Part No. | Description |
|-------------|-----------------|--|
| 1 | 8111055 | Nut - Lock, W/Nylon Collar, #6-32 |
| 2 | 85610516 | POD - Electronics |
| 3 | 85610602 | Wldmnt-Display Mount, Pvt Brkt |
| 4 | 85610931 | Assy-Panel, Tactile Touch (1300) |
| | 85610896 | Panel , Tactile Touch, Only (1300) |
| | 85610664 | Assy-Panel, Tactile Touch (1400) |
| | 85610663 | Panel , Tactile Touch, Only (1400) |
| | 85610624 | Assy-Panel, Tactile Touch (1500) |
| | 85610626 | Panel , Tactile Touch, Only (1500) |
| 5 | 85610628 | Nut-Lock, #8-32, Nylon Insert |
| 6 | 85610928 | Assy-Cable, Tactile Panel (1300) |
| | 85610629 | Assy-Cable, Tactile Panel (1400/1500) |
| 7 | 8113624 | Shield - EMC (AUS Models only) |
| 8 | 85610529 | Mount-Cable, Snap-In, 8" |

1600 Monitor Assembly

| Item | Part No. | Description |
|-------------|-----------------|---|
| 9 | 8000745 | Washer-Flat, 1/4" |
| 10 | 8113921 | Washer - Flat 1/4" |
| 11 | 85607866 | Screw-M4-07X10MM, Slotted Pan |
| 12 | 85610288 | Screw-Shoulder, 3/8 x 4 |
| 13 | 85610556 | Plate-Pivot Backing |
| 14 | 85610599 | WLDMNT-Display Mount, Lower |
| 15 | 85610601 | WLDMNT-Display Mount, Upper |
| 16 | 85610602 | WLDMNT-Display Mount, Pvt Brkt |
| 17 | 85610604 | HANDLE-Display Mount, Locking |
| 18 | 85610606 | Washer-Fiber, 3/8" ID |
| 19 | 85610607 | Cover-Mat, 1/16" Rubber |
| 20 | 85610608 | Display-Viewsonic, 22" Touch |
| | 85611168 | Display-Viewsonic, 22" Capacitive |
| 21 | 85610611 | Cable-Asm, Display, Opt. Touch (for 85610608) |
| | 85611170 | Cable-Asm, Display, (for 85611168) |
| 22 | 8000525 | Nut-Hex, LK, 5/16-18 |
| 23 | 8106301 | Screw-1/4-20 X .75 |

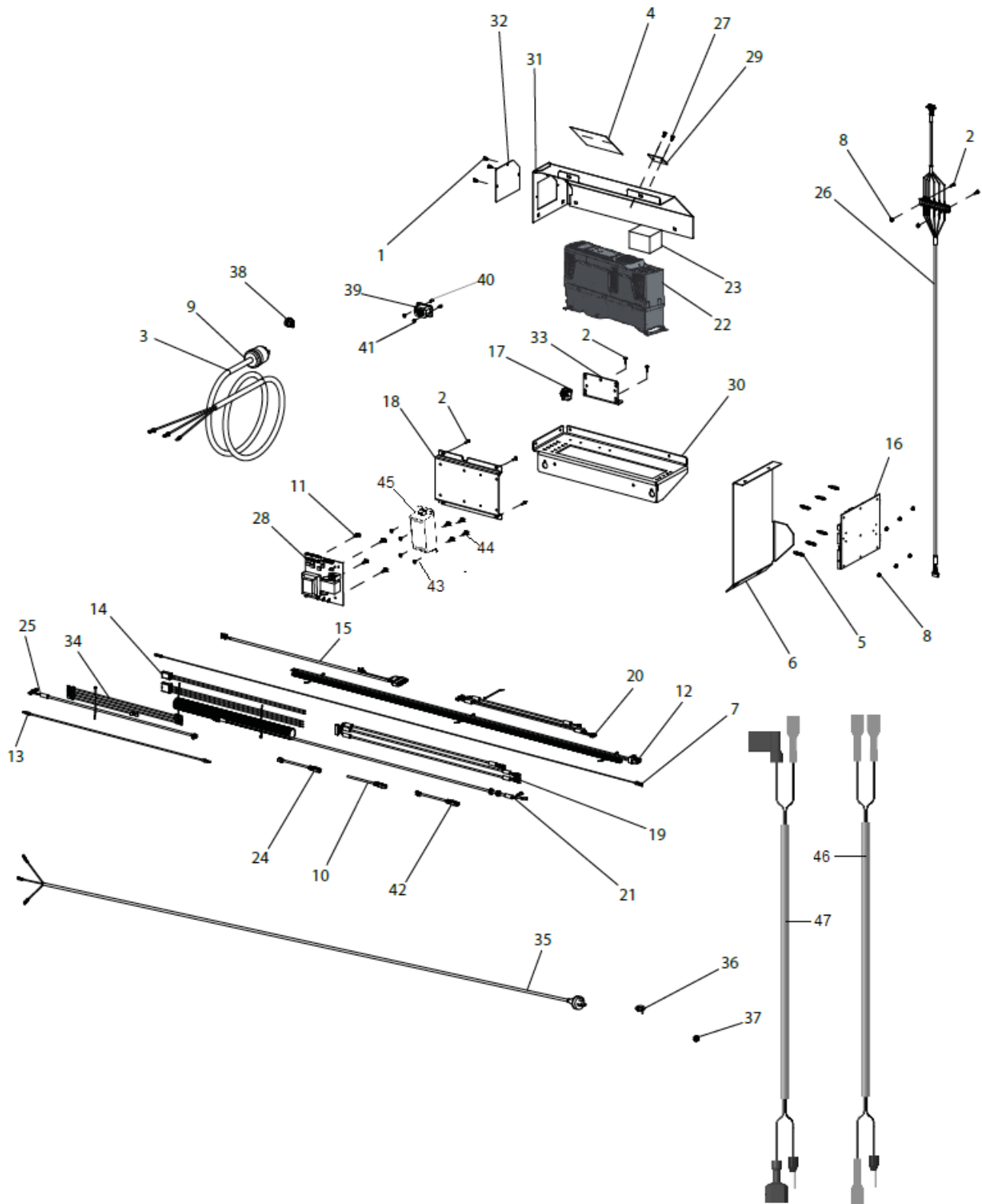
1300/1400 Non-Inverter Model



1300/1400 Non-Inverter Model

| Item | Part No. | Description |
|------|----------|------------------------------------|
| 1 | 8111542 | Screw - 8-32 X 5/8 LG. Php Sem |
| 2 | 8113101 | Cord – Power |
| | 8143127 | Cord-Power 3 PH |
| 3 | 8113996 | Standoff - 8-32X3/4 |
| 4 | 8114184 | Cover |
| 5 | 8114212 | Assembly, Drain Wire |
| 6 | 8301084 | Nut, #8-32 KEP |
| 7 | 81142111 | Cable - Cat 5, 7' LG. |
| 8 | 85609809 | PCB – Processor |
| 9 | 85609815 | Assembly - Piezo Harness |
| 10 | 85609818 | Assembly, MCB Cable |
| 11 | 85609868 | Harness-Assy |
| 12 | 85608188 | Harness-Swtch,Hd,Assy |
| 13 | 85000361 | Standoff-Lck, Snp |
| 14 | 85609308 | Bracket-Mcb,Assy |
| 15 | 85610543 | Board-Asm,MCB,JST, 2D |
| 16 | 85000705 | Motor Module Assembly, 1 PH |
| | 85000704 | Motor Module Assembly, 3 PH |
| 17 | 8112356 | Capacitor |
| 18 | 8111860 | Capacity Panel Assembly |
| 19 | 8309057 | Wire-14AWG,RED,6",Assy |
| 20 | 8309005 | Wire-14AWG,BLCK,6",Assy |
| 21 | 85609122 | Switch-RCKR,DPST |
| 22 | 8305076 | 220V, 1 PH Plug |
| | 8140786 | 220V, 3 PH Plug |
| 23 | 929507 | Cord-Power, (Aust. Only) |
| 24 | 929642 | Adapter-Knckt, Heyco (Aust. Only) |
| 25 | 929643 | Relief-Strain,SR-6W-1 (Aust. Only) |
| 26 | 906058 | Relief-Strain,120V,SR-81-1 |
| 27 | 85609290 | Outlet, Panel Mount |
| 28 | 85610253 | Screw, OHPMS, 6-32 x ½ |
| 29 | 8111055 | Nut - Hex, locking, 6-32 Insert |

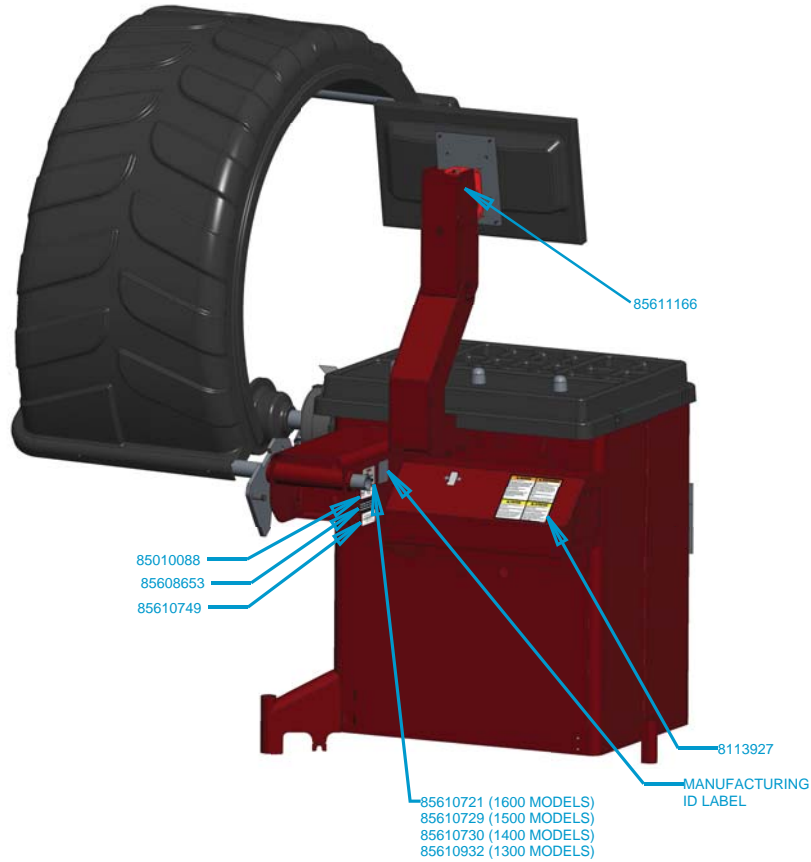
1500/1600 Inverter Models



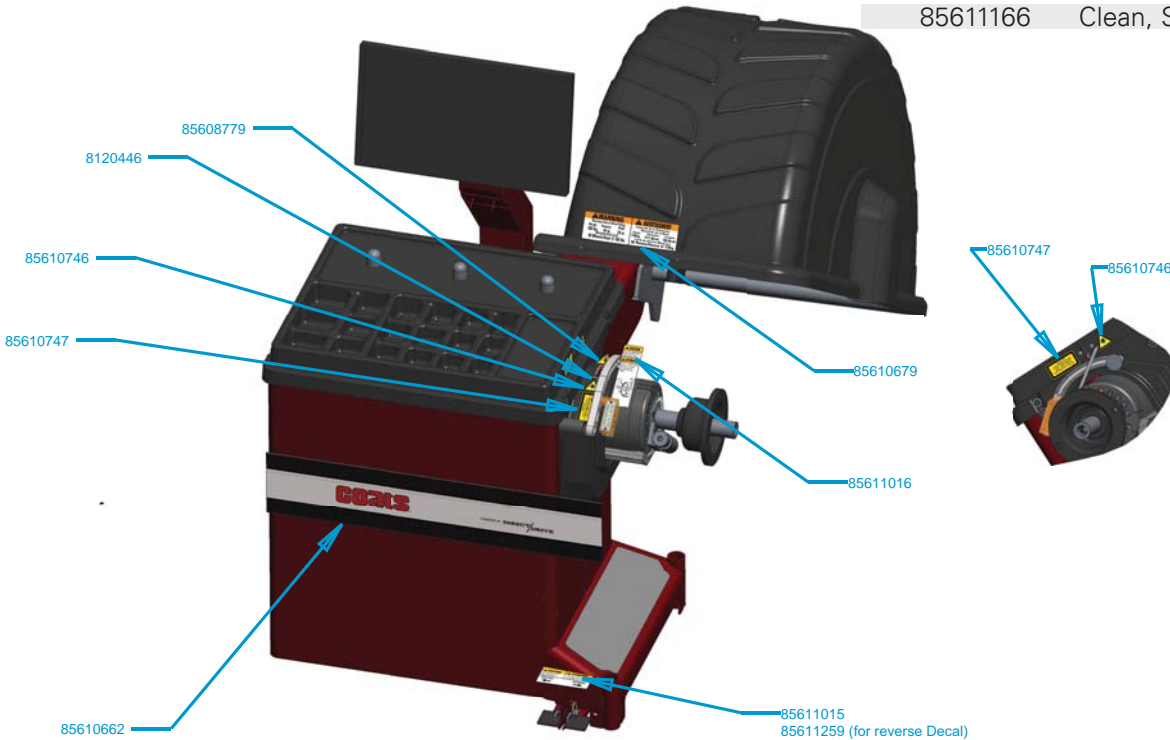
1500/1600 Inverter Models

| Item | Part No. | Description |
|------|----------|---|
| 1 | 925019 | Screw - Hex Hd. Self Tapping |
| 2 | 8111542 | Screw - 8-32 X 5/8 LG. Php Sem |
| 3 | 8113101 | Cord - Power 1 PH |
| | 8143127 | Cord - Power 3 PH |
| 4 | 8113927 | Decal-Caution/Warning |
| 5 | 8113996 | Standoff - 8-32X3/4 |
| 6 | 8114184 | Cover |
| 7 | 8114212 | Assembly, Drain Wire |
| 8 | 8301084 | Nut, #8-32 Kep |
| 9 | 8305076 | Plug-Twist Lock,250V,20AMP,1PH |
| | 8140786 | Plug-Twist Lock,220V,20AMP,3PH |
| 10 | 81142111 | Cable - CAT 5, 7' LG. |
| 11 | 85000361 | Standoff- Snap-Lock |
| 12 | 85010022 | Assy - Wire Harness, Motor |
| 13 | 85010024 | Assy - Wire, Ground X 26' LG. |
| 14 | 85600284 | Harness - Inverter / Motor |
| 15 | 85608188 | Harness-Fan 220V,Assy |
| 16 | 85609808 | PCB - Processor (1500) |
| | 85608629 | PCB - Processor (1600) |
| 17 | 85609122 | Switch-DPST, Rocker |
| 18 | 85609308 | Bracket-MCB Assy |
| 19 | 85609815 | Assembly - Piezo Harness |
| 20 | 85609818 | Assembly, MCB Cable |
| 21 | 85609820 | Assy, Hood Switch Cable |
| 22 | 85609942 | Inverter-Emerson 701, 3HP |
| 23 | 85610071 | Damper, Vibration, Inverter |
| 24 | 85610107 | Cable-RJ45 - RJ12 Assy |
| 25 | 85610232 | Cable, Sonar Chassis (1500 only) |
| | 85611014 | Cable, Sonar Chassis, Pedal (1600 only) |
| 26 | 85610237 | Cable-Emrsn,W/Trmnl,Assy |
| 27 | 85610274 | Rivet-Plastic, A3/16" |
| 28 | 85610527 | Board-Supply,Power,Inverter |
| 29 | 85610588 | Shield-Acrylic, IB Laser |
| 30 | 85610644 | Bracket-Inverter, Reverse |
| 31 | 85610645 | Weldment-Cover, WND |
| 32 | 85610647 | Panel-Access, Inv Cover |
| 33 | 85610649 | Bracket-Terminal Strip, Side |
| 34 | 85610672 | Harness-Asm,Pwr, 4X 14AWG |
| 35 | 929507 | Cord-Power, (Aust. Only) |
| 36 | 929642 | Adapter-Knckt,Heyco (Aust. Only) |
| 37 | 929643 | Relief-Strain,SR-6W-1 (Aust. Only) |
| 38 | 929643 | Relief-Strain,120V,SR-81-1 |
| 39 | 85609290 | Outlet, Panel Mount |
| 40 | 85610253 | Screw, OHPMS, 6-32 x 1/2 |
| 41 | 8111055 | Nut - Hex, locking, 6-32 Insert |
| 42 | 85610727 | Ground Wire |
| 43 | 8301067 | Screw- #6-32 X Phil. (1600 with LED Bar Only) |
| 44 | 85611225 | Spacer-Snap-In,ML/FML (1600 with LED Bar Only) |
| 45 | 85611226 | Supply-Pwr, 220VAC/24VDC (1600 with LED Bar Only) |
| 46 | 85611222 | Harness-Pwr,Switch, 48" |
| 47 | 85611223 | Harness-Pwr,LED, 48" |

Label Locations



| Part Number | Description |
|-------------|---|
| 8113927 | Caution / Warning |
| 8120446 | Motor Rotation |
| 85010088 | MET Lab Compliance |
| 85608653 | Patent Notice |
| 85608779 | Electric Shock |
| 85610662 | Main, 1400/1500/1600 |
| 85610679 | Warning |
| 85610721 | Nameplate-1600 |
| 85610729 | Nameplate-1500 |
| 85610730 | Nameplate-1400 |
| 85610932 | Nameplate-1300 |
| 85610746 | Laser Hazard |
| 85610747 | Explanatory |
| 85610749 | Certification |
| 85611015 | Pedal Ops (1600 Only - if equipped) |
| 85611259 | Reverse Pedal (1600 Only - if equipped) |
| 85611016 | Caution, Pinch Point (1600 Only - if equipped) |
| 85611166 | Clean, Screen |



Notes

