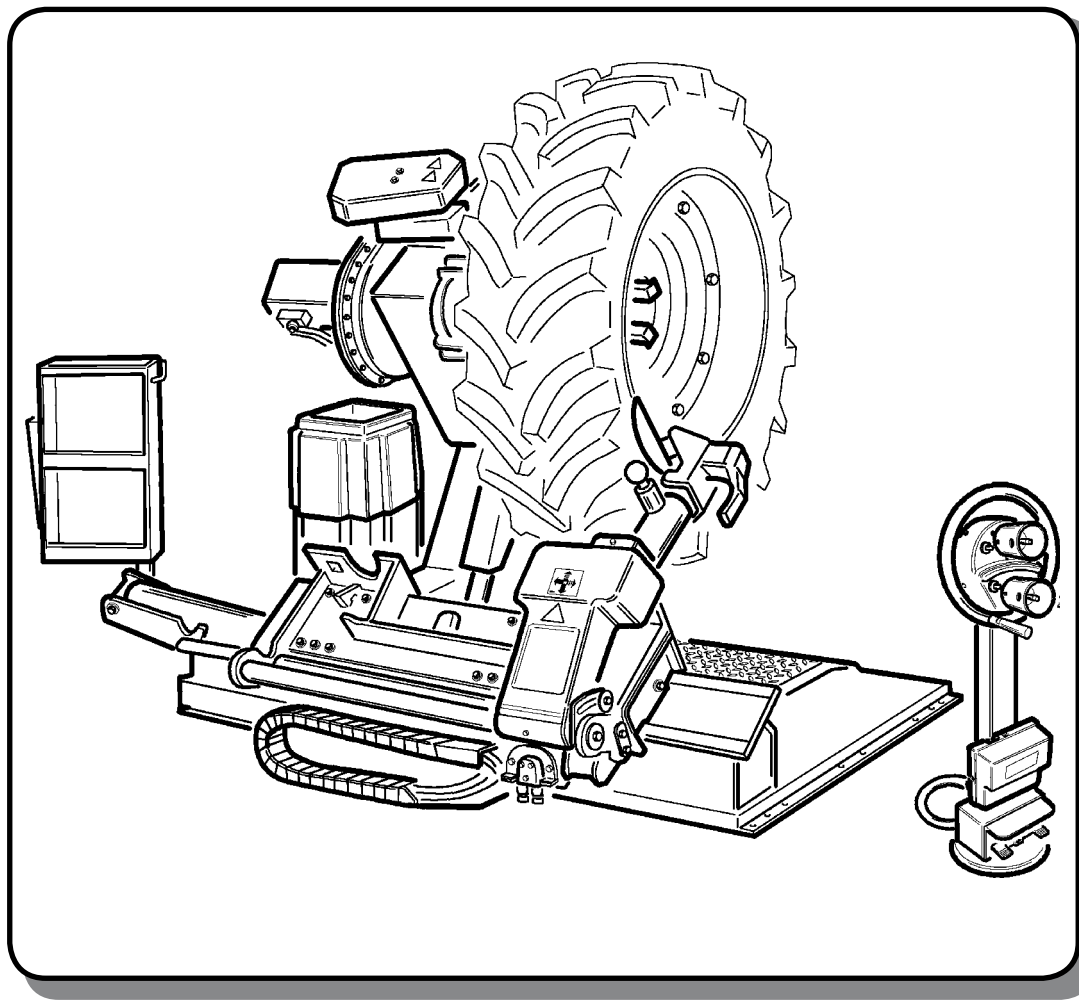


COATS

ORIGINAL SPARE PARTS

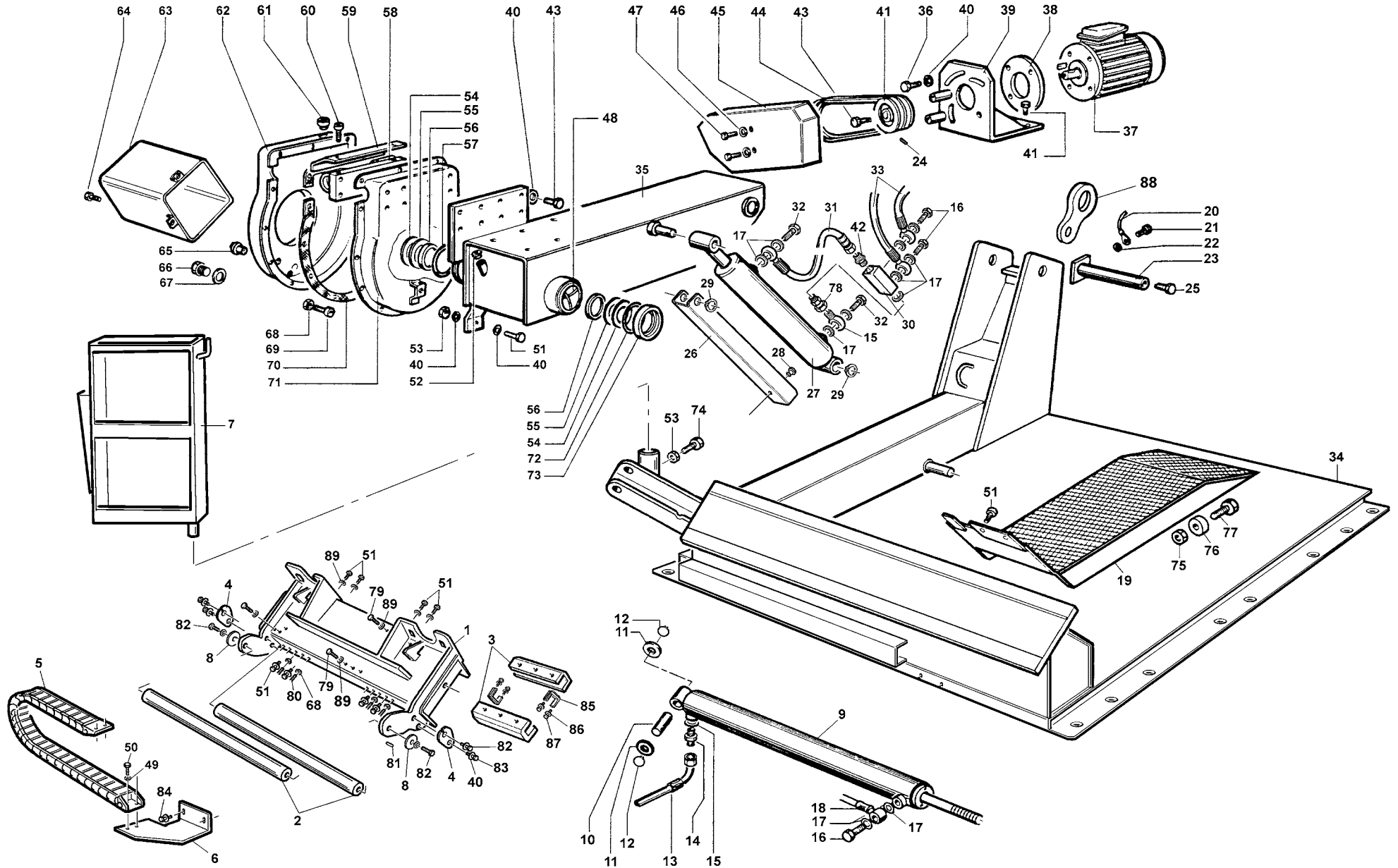
CHD-9551



85010082/05
Revision 1/18

FRAME

TAV. 1.0



FRAME

TAV. 1.0

| Ref | Codart | Description |
|-----|------------|-----------------------------|
| 1 | *7917231 | SADDLE |
| 2 | *3017600 | SHAFT D.50 |
| 3 | *3013888 | CARRIAGE SLIDE |
| 4 | *3017499 | FASTENING PLATE |
| 5 | *4296877 | CHAIN |
| 6 | *6617516 | CHAIN SUPPORT |
| 7 | *6617590 | TOOLING SHELF |
| 8 | *3001067 | WASHER |
| 9 | *6617479 | CARRIAGE OPERATING CYLINDER |
| 10 | *3001003 | PIN |
| 11 | *4399289 | WASHER 25x44x4 |
| 12 | *4395720 | SEEGER RING D.24 |
| 13 | *3017378 | 3/8" HOSE |
| 14 | *3004989 | NIPPLE MM 1/4" H.18mm. |
| 15 | *4197297 | UNION 1/4" - 1/4" BSP |
| 16 | *4199249 | 1/4" UNION NUT |
| 17 | *4399256 | WASHER 1/4" D.13x19x1,5 |
| 18 | *3017379 | 3/8" PIPE FOR LONG CYLINDER |
| 19 | *6617234 | RAMP |
| 20 | *2001290 | CABLE |
| 21 | *4398273 | SELF-TAPPING SCREW 5,5x19 |
| 22 | *4399288 | TOOTHED WASHER 6,4x11x0,7 |
| 23 | *2117383 | ARM PIN |
| 24 | *4398827 | SCREW 8x12 |
| 25 | *4399302 | SCREW 14x30 |
| 26 | *6617582 | CYLINDER GUARD |
| 27 | *6617182 | CYLINDER GUARD |
| 28 | *4296552 | BOUCHON D.20 |
| 29 | *4395720 | SEEGER RING D.24 |
| 30 | 4196137 | STOP VALVE |
| 31 | *3011381 | HOSE 1/4" L=320 |
| 32 | *4199250 | 1/4" UNION NUT |
| 33 | *3010139 | SHORT CYLINDER PIPE |
| 34 | *2043348RO | BASE FRAME |
| 35 | *2043346RO | CHUCK ARM |

*** = Non Stock Items**
Please, Contact Hennessy for Availability

FRAME

TAV. 1.0

| | | |
|----|----------|------------------------------|
| 36 | *4399935 | SCREW TE M8X25 8.8 |
| 37 | *4594303 | MOTOR 3PH 208-230V.60HZ |
| 38 | *4299330 | SPACER |
| 39 | *6600974 | MOTOR SUPPORT |
| 40 | *4399378 | WASHER 10 (10,5x25x2) |
| 41 | *3000975 | MOTOR PULLEY |
| 42 | *4199257 | NIPPLE 1/4" - h.7 mm. |
| 43 | *4398827 | SCREW 8x12 |
| 44 | 4294151 | ROFLEX BELT |
| 45 | *3000943 | COVER |
| 46 | *4399829 | WASHER 8 (8,4x16x1,5) |
| 47 | *4399305 | SCREW M8x12 8.8 |
| 48 | *3001041 | BUSHING |
| 49 | *4398848 | WASHER 6 (6,6x18x1,5) |
| 50 | *4399229 | SCREW 6x10 |
| 51 | *4399786 | SCREW M10x30 8.8 |
| 52 | *4299066 | UNDERCAP D.11,5 |
| 53 | *4399967 | NUT M10 |
| 54 | *3001056 | SPACER 81x105x0,5 |
| 55 | *3001057 | SPACER 81x105x1 |
| 56 | 4299308 | GROMMET |
| 57 | *4299325 | O-RING 98,02x3,53 |
| 58 | *2101009 | WORM SCREW SUPPORT |
| 59 | *3001010 | OIL SCREEN |
| 60 | *4399300 | SCREW 6x12 |
| 61 | *4199258 | OIL LEVEL PLUG |
| 62 | *7900998 | FRONT CASING |
| 63 | *6616557 | CYLINDER GUARD |
| 64 | *4399298 | SCREW 8x16 |
| 65 | *4297160 | OIL LEVEL INDICATOR 3/4" |
| 66 | *4197684 | PLUG 3/8" |
| 67 | *4198598 | COPPER WASHER 3/8" 17x23x1,5 |
| 68 | *4399967 | NUT M10 |
| 69 | *4398108 | SELF-TAPPING SCREW 6,3x16 |
| 70 | 3001051 | DUCTION GEAR SEAL |
| 71 | *7900995 | BACK CASING |

*** = Non Stock Items**
Please, Contact Hennessy for Availability

FRAME

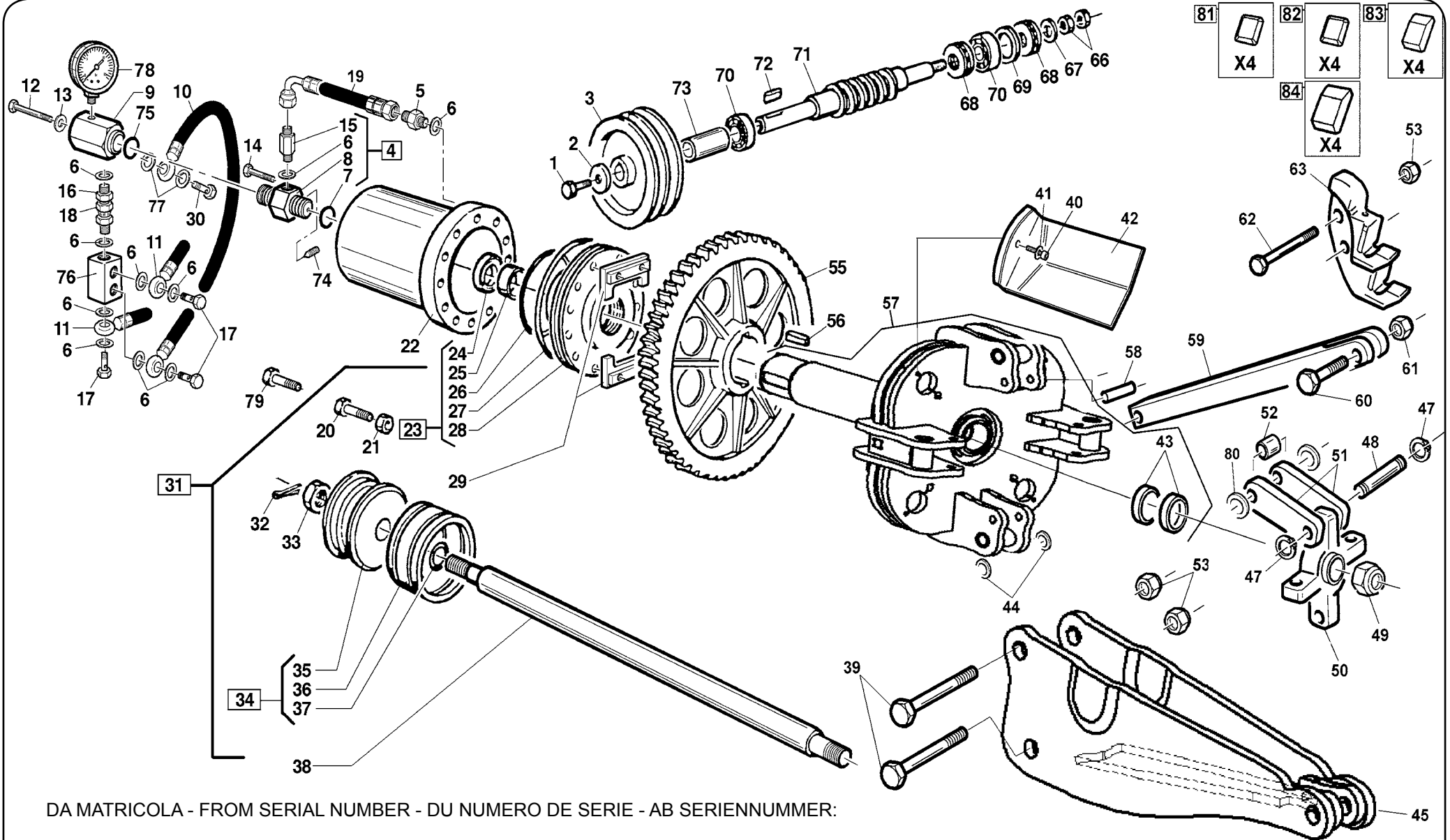
TAV. 1.0

| | | |
|----|----------|---------------------------|
| 72 | *3001055 | FELT |
| 73 | *3001738 | RING FOR FELT |
| 74 | *4399953 | SCREW 10x16 |
| 75 | *4399295 | NUT M16 |
| 76 | 4299251 | ROLLER |
| 77 | *4399945 | VIS M16x100 8.8 |
| 78 | *4197164 | ROTATING UNION 1/4" M/F |
| 79 | *4397049 | SCREW 10x100 |
| 80 | *4398826 | SCREW 10x20 |
| 81 | *4394642 | ELASTIC PIN D.8X15 |
| 82 | *4399302 | SCREW 14x30 |
| 83 | *4399228 | SCREW 10x25 |
| 84 | *4399946 | SCREW 8x16 |
| 85 | *3019036 | SCRAPER 20x20 |
| 86 | *4399903 | RONDELLE 4 (4,5x12x1,5) |
| 87 | *4397671 | SELF-TAPPING SCREW 4,2x13 |
| 88 | 3032214 | ANTIROTATION PLATE |
| 89 | *4395085 | WASHER 10 (10,5x25x2)0 |

*** = Non Stock Items**
Please, Contact Hennessy for Availability

SELF-CENTERING CHUCK

TAV. 2.1



DA MATRICOLA - FROM SERIAL NUMBER - DU NUMERO DE SERIE - AB SERIENNUMMER:

GAE 1206556

SELF-CENTERING CHUCK

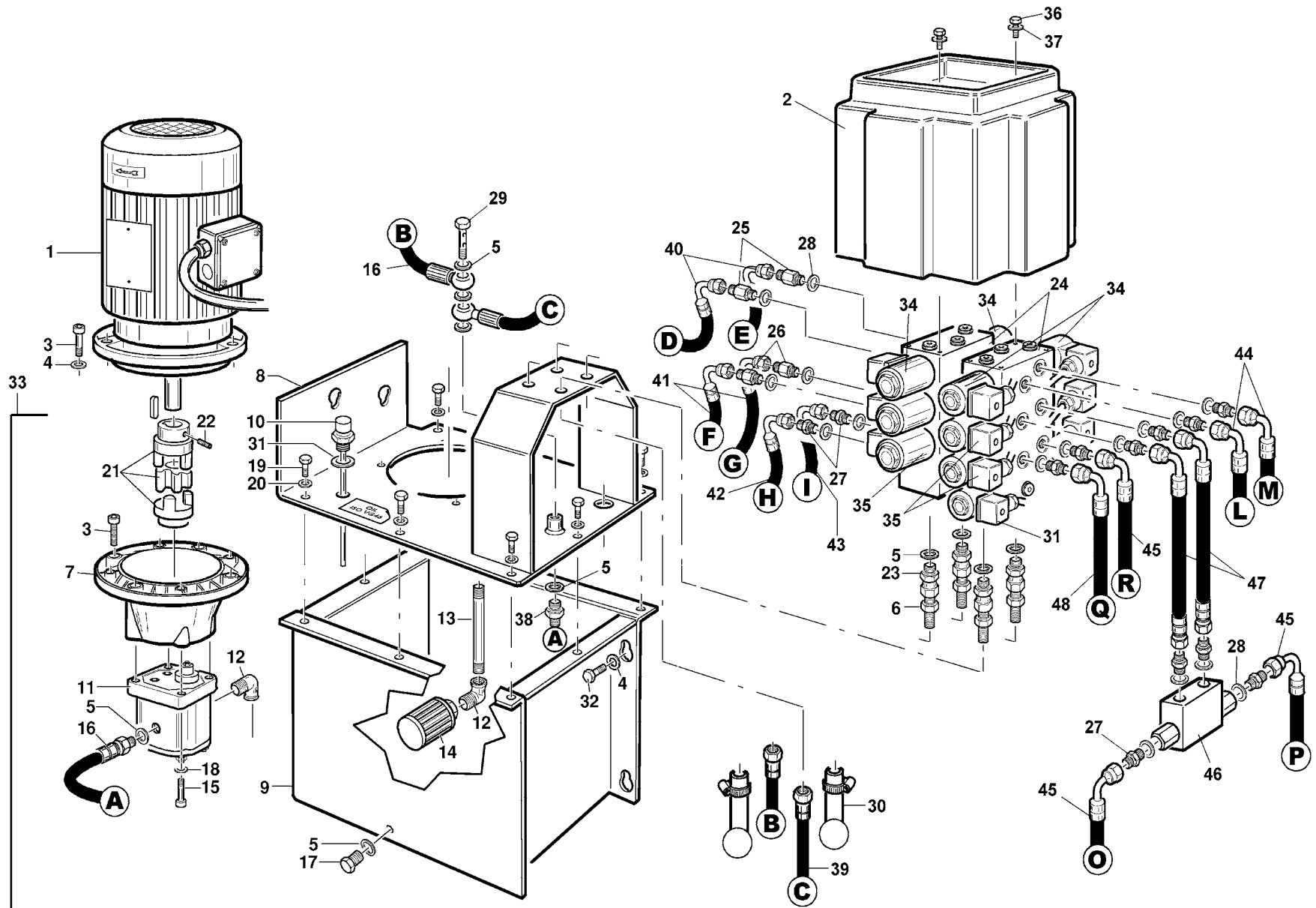
TAV. 2.1

| | | |
|----|----------|-------------------------------|
| 35 | 3001117 | PISTON D.140 |
| 36 | 4299313 | GROMMET |
| 37 | 4299312 | O-RING 28,17x3,53 |
| 38 | *3001001 | CHUCK CONTROL SHAFT |
| 39 | *3032343 | SCREW 18X1,5X110 |
| 40 | *4398273 | SELF-TAPPING SCREW 5,5x19 |
| 41 | *4399998 | WASHER 6 (6,4x12x1,6) |
| 42 | *3017581 | ABS COVER |
| 43 | 4299309 | SCRAPER RING |
| 44 | *4399974 | SHIM ADJUSTMENT 20,5x28x0,3 |
| 45 | *2132491 | LEFT CHUCK ARM |
| 47 | *4399231 | SEEGER RING D.18 |
| 48 | *3000993 | PIN |
| 49 | *4399293 | NUT M33x2 |
| 50 | *3001050 | TURNTABLE CROSS |
| 51 | *3001044 | CONNECTING ROD |
| 52 | *3000994 | SPACER D.20x30x28 |
| 53 | *4399316 | SELF-LOCKING NUT M18x1,5 H=18 |
| 55 | *3010838 | HELICAL GEAR |
| 56 | *4399218 | TAB 20x12x60 |
| 57 | *2032813 | COMPL. CHUCK UNIT |
| 58 | *3033796 | SPRING PIN 12x65 |
| 59 | *3000992 | BAR |
| 60 | *3000968 | SCREW 12x58 |
| 61 | *4399865 | SELF-LOCKING NUT M12 |
| 62 | *3000966 | SCREW 18x1,5x87 |
| 63 | *3033828 | CLAMP SUPPORT |
| 66 | *4399181 | NUT M16 |
| 67 | *3001114 | WASHER D.16,2x38x7 |
| 68 | *4299284 | BEARING |
| 69 | *3001115 | SPACER |
| 70 | *4299285 | BEARING |

*** = Non Stock Items**
Please, Contact Hennessy for Availability

HYDRAULIC POWER UNIT

TAV. 3.0



HYDRAULIC POWER UNIT

TAV. 3.0

| | | |
|----|----------|--------------------------------|
| 1 | *4594302 | MOTOR 3PH 208-230V.50/60HZ |
| 2 | *3017580 | ABS FRAME |
| 3 | *4399956 | SCREW 10x25 12.9 |
| 4 | *4399378 | WASHER D.10 (10,5x21x2) |
| 5 | *4198598 | COPPER WASHER 3/8" 17x23x1,5 |
| 6 | *4197600 | UNION 3/8" |
| 7 | *4197872 | FLANGE GR.80 D.200 HL5L |
| 8 | *6617508 | TANK COVER PLATE |
| 9 | *6609757 | TANK |
| 10 | *3010652 | OIL LEVEL PLUG |
| 11 | *4194799 | PUMP GR.1 8,00 CM/C DX C.F3/8 |
| 12 | *4197240 | UNION 90' MF 3/8" |
| 13 | *4197239 | UNION 3/8" F L100 |
| 14 | *4197241 | OIL FILTER |
| 15 | *4399299 | SCREW 6x30 8.8 |
| 16 | *3009760 | HOSE 3/8" L=370 |
| 17 | *4197684 | PLUG 3/8" |
| 18 | *4399998 | WASHER 6 (6,4x12x1,6) |
| 19 | *4399305 | SCREW M8x12 8.8 |
| 20 | *4399829 | WASHER 8 (8,4x16x1,5) |
| 21 | *4197873 | FLEXIBLE COUPLING |
| 22 | *4399121 | SCREW 6x6 |
| 23 | *4197621 | O-RING 45' FF 3/8" |
| 24 | 2012881 | MULTIPLE BASE + SOLENOID VALVE |
| 25 | *3004989 | NIPPLE MM 1/4" H.18mm. |
| 26 | *3001372 | NIPPLE 1/4" H.12mm. |
| 27 | *4199257 | NIPPLE MM.1/4" H=7,5 mm. |
| 28 | *4399256 | WASHER 1/4" D.13x19x1,5 |
| 29 | *4196596 | UNION BOLT 3/8" |
| 30 | *3001370 | HOSE D.16x26 L=400 |
| 31 | 4197106 | RELIEF SIMPLE SOLENOID VALVE |
| 32 | *4399953 | SCREW M10x16 8.8 |
| 33 | 2017598 | HYDRAULIC UNIT |
| 34 | *4196318 | SOLENOID VALVE |
| 35 | *4196317 | SOLENOID VALVE |

*** = Non Stock Items**
Please, Contact Hennessy for Availability

HYDRAULIC POWER UNIT

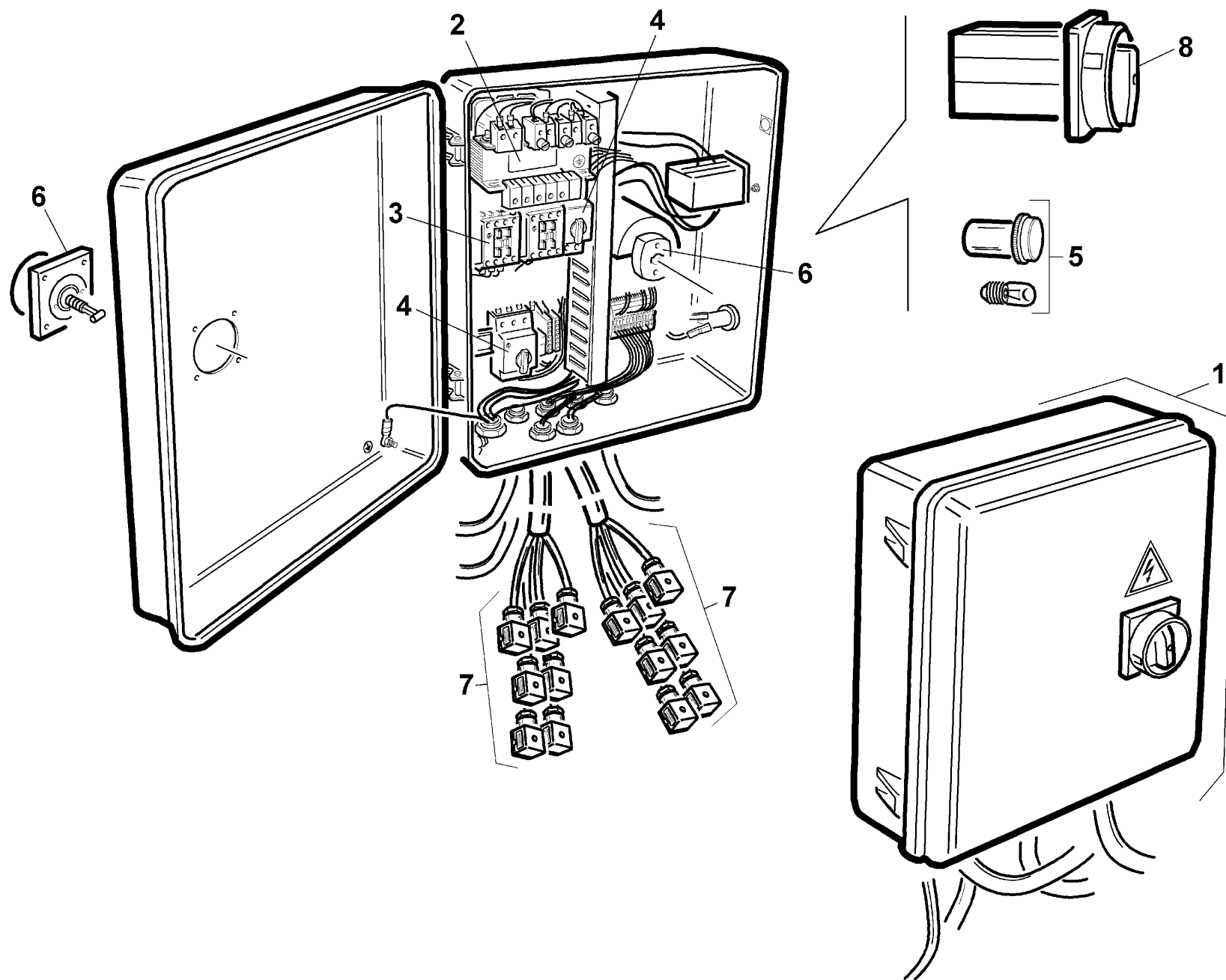
TAV. 3.0

- 36 *4399892 SCREW 6x20
- 37 *4399998 WASHER 6 (6,4x12x1,6)
- 38 *4198559 LOCK RING
- 39 *3011284 DRAINING HOSE 3/8" L=320
- 40 *3010138 CYLINDER HOSE
- 41 *3010139 CYLINDER PIPE
- 42 *3017379 3/8" PIPE FOR LONG CYLINDER
- 43 *3017378 3/8" PIPE FOR LONG CYLINDER
- 44 *3017384 3/16" PIPE 1/4 UNION
- 45 *3017574 3/16 PIPE TILTING ROTATION CYL.
- 46 *4196137 STOP VALVE
- 47 *3001063 PIPE
- 48 *3019100 3/16 PIPE TILTING ROTATION CYL.

*** = Non Stock Items**
Please, Contact Hennessy for Availability

ELECTRIC PANEL

TAV. 4.0



PEDAL CONTROL

TAV. 5.0

| Ref | Code | Description |
|-----|----------|------------------------------|
| 1 | *6618274 | CONTROL UNIT POS |
| 2 | *6616639 | PEDAL UNIT COVER |
| 3 | *3016526 | COVER |
| 4 | *2401100 | PEDAL |
| 5 | *3001131 | CONTROL LEVER |
| 6 | *3016505 | JOYSTICK SUPPORT |
| 7 | *3001135 | SPACER |
| 8 | *3001137 | COVER |
| 9 | *3001138 | SEAL |
| 10 | *3005718 | SWITCH COVER |
| 11 | *3016960 | JOYSTICK PROTECTION |
| 12 | 3007133 | PEDAL CONTROL SPRING |
| 13 | *4299223 | O-RING 13,94x2,62 |
| 14 | *3006791 | PLASTIC SUPPORT |
| 15 | *3005928 | GROUND CABLE PLATE |
| 16 | *4599125 | LEVER COVER |
| 17 | *4399091 | SELF-TAPPING SCREW 3,5x13 |
| 18 | *6618273 | CONTROL UNIT FRAME |
| 19 | *4399229 | SCREW 6x10 |
| 20 | *4599157 | DIODE |
| 21 | *4599220 | TERMINAL BOARD |
| 22 | *4399996 | NUT M4 |
| 23 | *4399703 | TOOTHED WASHER 4,3x8x0,5 |
| 24 | *3001143 | SQUADRETTA X MICROINTERRUTT. |
| 25 | *4399998 | WASHER 6 (6,4x12x1,6) |
| 26 | *4399090 | SCREW 6x30 |
| 27 | *4399123 | SCREW 3x20 |
| 28 | *4399127 | NUT M3 |
| 29 | 4599219 | MICROSWITCH |
| 30 | *4399903 | WASHER 4 (4,5x12x1,5) |
| 31 | *4399829 | WASHER 8 (8,4x16x1,5) |
| 32 | *4399954 | SCREW 8x20 |
| 33 | *4399905 | SCREW 4x12 |
| 34 | *4399976 | NUT M8 |
| 35 | *4398723 | SCREW 6x12 |

*** = Non Stock Items**
Please, Contact Hennessy for Availability

PEDAL CONTROL

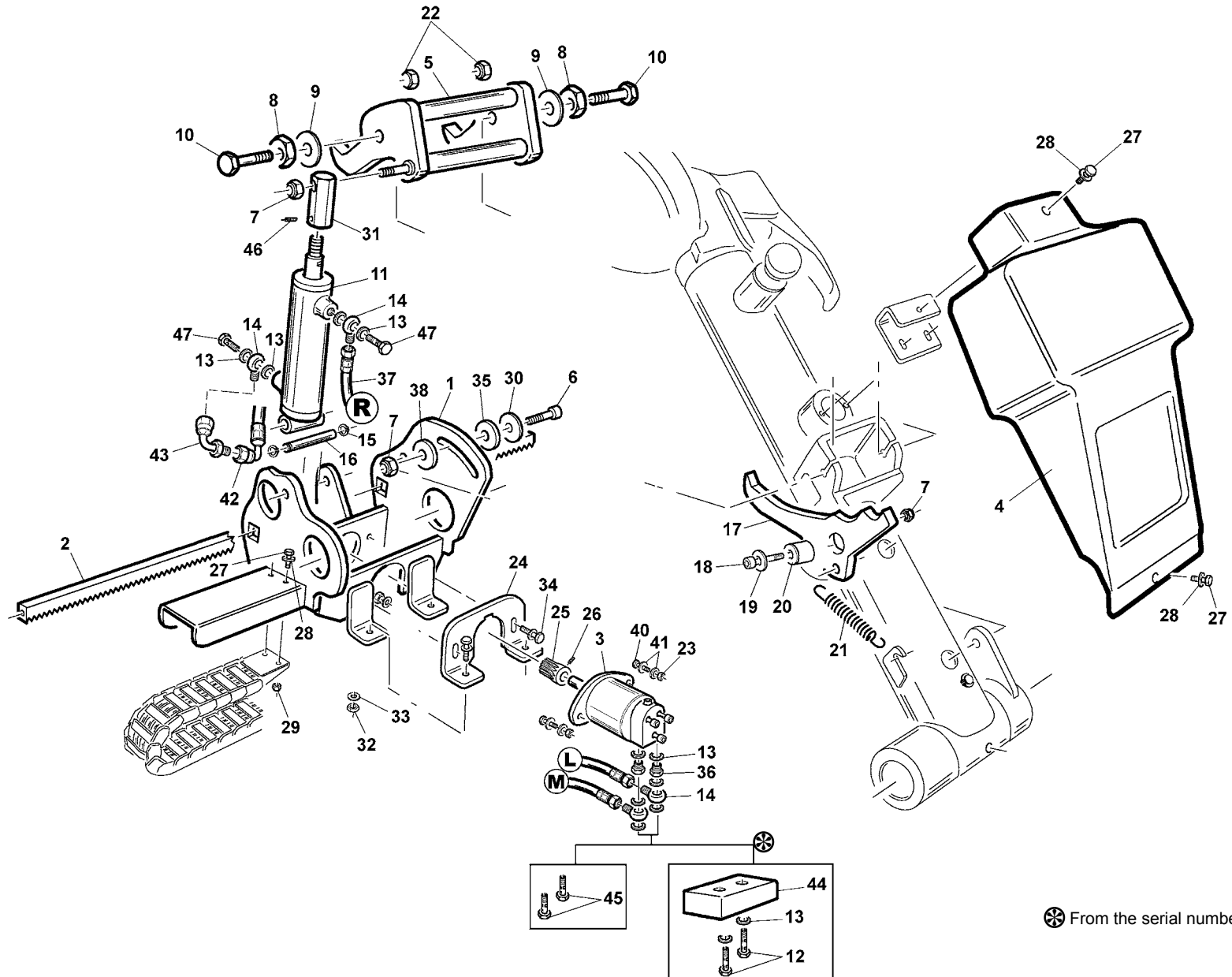
TAV. 5.0

| Ref | Code | Description |
|-----|----------|-----------------------------|
| 36 | *2001300 | CABLE |
| 37 | *4399222 | SCREW M4x14 |
| 38 | *4399860 | SCREW 4x40 |
| 39 | *4399124 | SCREW 4x16 |
| 40 | 4599221 | LEVER COMMUTATOR |
| 41 | 4599129 | MICROSWITCH |
| 42 | *4599128 | PLATE |
| 43 | *4397734 | SELF-TAPPING SCREW 2,9x12,7 |
| 44 | 4594961 | SWITCH |
| 45 | 2029185 | CABLE |
| 46 | *2029024 | PEDAL CONTROL UNIT |
| 47 | 3595987 | MANIPULATOR |
| 48 | *2018286 | CONTROL UNIT COMPL. FRAME |
| 49 | *2018297 | EMERGENCY STOP BUTTON |
| 50 | *3019103 | HANDLE D.25 M10 |
| 51 | *4399951 | SCREW 10x35 |

*** = Non Stock Items**
Please, Contact Hennessy for Availability

TOOL ARM SADDLE

TAV. 6.0



☼ From the serial number: GAE 1001380

TOOL ARM SADDLE

TAV. 6.0

| Ref Code | Description |
|----------|--|
| 1 | *2117190 ARM TROLLEY |
| 2 | *3017146 RACKS 20x20 MOD.2 L=1085 |
| 3 | *4194968 HYDR. MOTOR OM 50 C-S-F (OMM) |
| 4 | *3017520 ABS PANEL |
| 5 | *2118387 ARM HOOK |
| 6 | *4397941 SCREW 12x60 |
| 7 | *4399865 SELF-LOCKING NUT M12 |
| 8 | *3018950 CAM |
| 9 | *4394154 WASHER 18X30X3,8 |
| 10 | *4397334 SCREW 18x65 |
| 11 | *6617456 TOOL HOOKING CYLINDER |
| 12 | *4197231 DRILLED UNION BOLT 1/4" |
| 13 | *4399256 COPPER WASHER 1/4" D.13x19x1,5 |
| 14 | *4197297 UNION 1/4" |
| 15 | *4398686 SEEGER RING D.16 |
| 16 | *3017955 CYLINDER PIN D16 L85 |
| 17 | *3018382 ARM LEVER |
| 18 | *4399955 SCREW 12x40 |
| 19 | *4399981 WASHER 12 (13x24x2,5) |
| 20 | *3000117 BUSH |
| 21 | 3000114 ARM SPRING |
| 22 | *4398725 SELF-LOCKING NUT M18 |
| 23 | *4399976 NUT M8 |
| 24 | *6617981 UPPER SUPPORT PLATE |
| 25 | *3017145 GEAR |
| 26 | *4394632 SCREW STEI 5x10 P.P. |
| 27 | *4399892 SCREW 6x20 |
| 28 | *4399998 WASHER 6 (6,4x12x1,6) |
| 29 | *4399889 NUT M6 |
| 30 | *3001067 WASHER |
| 31 | *3017588 CYLINDER SHAFT TOP END |
| 32 | *4399900 SELF-LOCKING NUT M8 |
| 33 | *4399829 WASHER 8 (8,4x16x1,5) |
| 34 | *4399901 SCREW 8x30 |
| 35 | *3016903 WASHER (12,5x50x5) |
| 36 | *4197186 HYDR. REDUCTION PIECE M3/8" F1/4" |

*** = Non Stock Items**
Please, Contact Hennessy for Availability

TOOL ARM SADDLE

TAV. 6.0

| Ref | Code | Description |
|-----|----------|---------------------------------|
| 37 | *3017574 | 3/16 PIPE TILTING ROTATION CYL. |
| 38 | *3017586 | NYLON WASHER |
| 40 | *4399935 | SCREW 8X25 |
| 41 | *4399829 | WASHER 8 (8,4x16x1,5) |
| 42 | *3019100 | 3/16 PIPE TILTING ROTATION CYL. |
| 43 | *4198320 | UNION M/F 1/4" |
| 44 | *3031056 | FLOW DELIVERY HYDR. BLOCK |
| 45 | *4199249 | DRILLED UNION BOLT 1/4" |
| 46 | *4399121 | SCREW 6x6 |
| 47 | *4194793 | 1/4" UNION BOLT |

*** = Non Stock Items**
Please, Contact Hennessy for Availability

MOBILE TOOL

TAV. 7.0

| Ref | Code | Description |
|-----|----------|--------------------------------|
| 1 | *6617227 | TOOL ARM |
| 2 | *6615073 | CYLINDER |
| 3 | *3014369 | ROT. CYLINDER PIN |
| 4 | *4398686 | SEEGER RING D.16 |
| 5 | *2119470 | PLATE |
| 6 | *4399946 | SCREW 8x16 |
| 7 | *4399829 | WASHER 8 (8,4x16x1,5) |
| 8 | *4197297 | UNION 1/4" |
| 9 | *4399256 | COPPER WASHER 1/4" D.13x19x1,5 |
| 10 | *3017060 | FERRULE M/F 1/4" H=16 h=8,5 |
| 11 | *4199250 | UNION BOLT 1/4" |
| 12 | *3014509 | SPACER |
| 13 | *4399963 | SELF-LOCKING NUT M16 |
| 14 | *2114371 | ROTATION HUB |
| 15 | *2019657 | PIN |
| 16 | *4399229 | SCREW 6x10 |
| 17 | *3014373 | PIN |
| 18 | *3000036 | SPRING |
| 19 | *3014374 | BUSH |
| 20 | *4295750 | PLASTIC KNOB D.50 M12 |
| 21 | *2014377 | DOUBLE TOOL |
| 22 | *3010837 | THREADED PIN |
| 23 | *3010841 | SPRING CONNECTION |
| 24 | *2110835 | LONG MOUNTING TOOL |
| 25 | *4399295 | NUT M16 |
| 26 | *2114736 | SUPPORT |
| 28 | *4396915 | RING 41x52Ex0,5 (3) |
| 29 | *3010831 | PIN |
| 30 | 3001266 | SPRING D.18 L=72 |

*** = Non Stock Items
Please, Contact Hennessy for Availability**

MOBILE TOOL

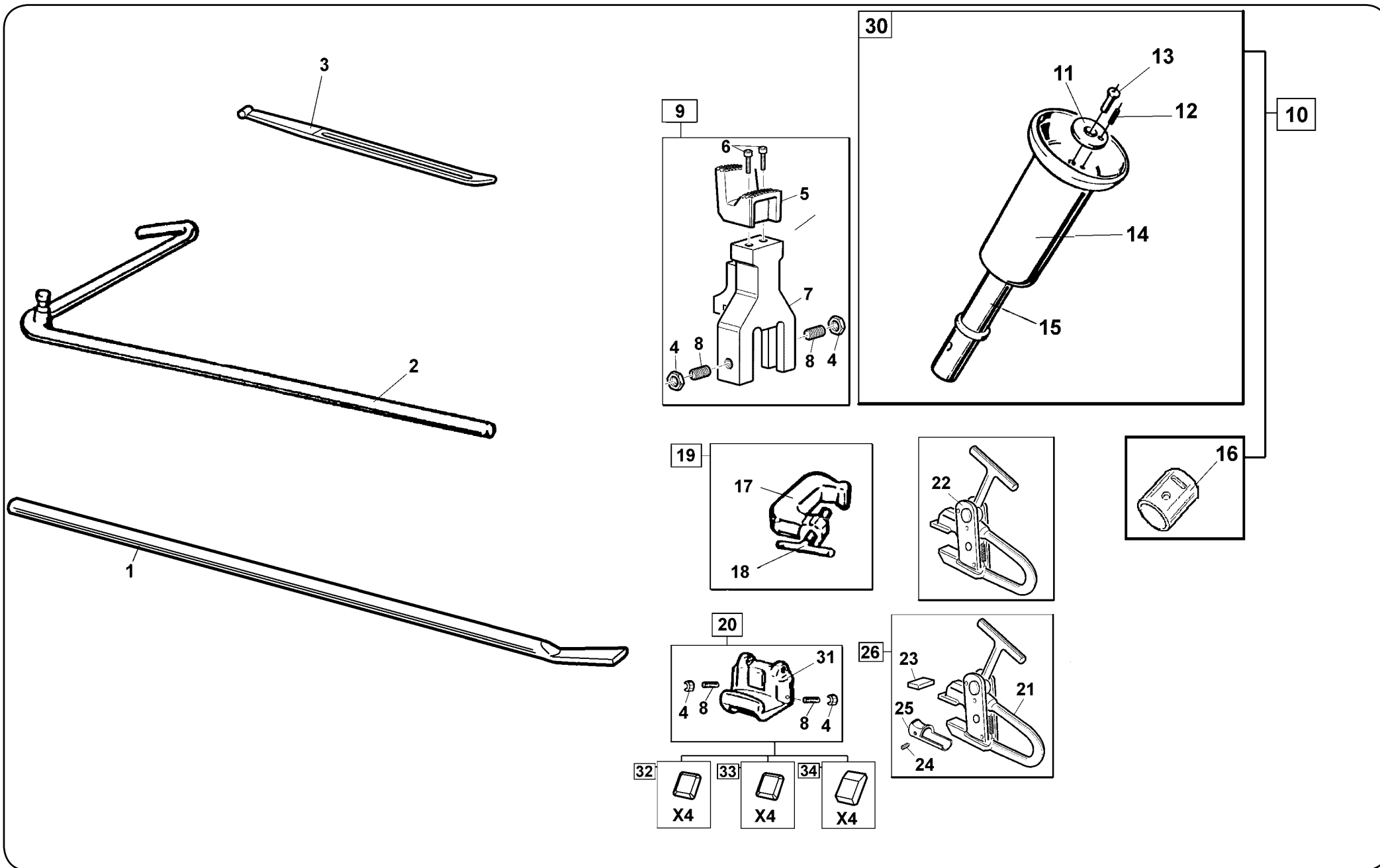
TAV. 7.0

- 31 *4396916 SELF-LOCKING NUT 27x3
- 32 *4397896 SCREW 10x50
- 33 *4398263 WASHER D.12,5x48x3
- 34 3016903 WASHER (12,5x50x5)
- 35 3017586 NYLON WASHER
- 36 *4399865 SELF-LOCKING NUT M12
- 38 *2019101 BEAD BREAKING DISK
- 39 *3017574 3/16 PIPE TILTING ROTATION CYL.
- 40 *4399880 SCREW 10x40
- 41 *4399969 NUT M10
- 42 *3018128 SHOCK ABSORBER CAP D.60 H.40
- 43 *3032656 SPACER
- 44 *4396218 SCREW 6x10
- 45 *4396341 BOND WASHER 1/4" D.13,5x21x12
- 46 *2039668 COMPLETE TOOL ARM (except tool)

*** = Non Stock Items**
Please, Contact Hennessy for Availability

ACCESSOIRES & OPTIONS

TAV. 8.0



ACCESSOIRES & OPTIONS

TAV. 8.0

| Ref | Code | Description |
|-----|-----------|------------------------------------|
| 1 | * 6601002 | LONG BEAD LIFTING LEVER |
| 2 | *9299269 | 141/90 BEAD GUIDE LEVER |
| 3 | *3001061 | SHORT TYRE LEVER |
| 4 | *4399967 | CLAMP |
| 5 | *3001313 | CLAMP |
| 6 | *4399089 | SCREW |
| 7 | *3034159 | EXTENSION |
| 8 | *4399088 | SCREW |
| 9 | *2001316 | EXTENSION |
| 10 | *9233371 | TUBELESS ROLLER KIT + ADAPTOR KIT |
| 11 | *3001307 | WASHER |
| 12 | *4399119 | ELASTIC PIN D.6x10 |
| 13 | *4399120 | SCREW 10x20 |
| 14 | *3001308 | ROLLER |
| 15 | *3001309 | SHAFT |
| 16 | 9219118 | 460/08 TUBELESS ROLLER ADAPTOR KIT |
| 17 | *3001311 | CLAMP |
| 18 | *3001310 | SCREW |
| 19 | *2001312 | CLAMP WITH SCREW |
| 20 | *2034827 | CLAMP FOR ALLOY RIM |
| 21 | 2009782 | PLIER |
| 22 | *2019650 | PLIER |
| 23 | *3001304 | SCREW ANCHOR |
| 24 | *4399121 | SCREW 6x6 |
| 25 | *3001303 | LOWER COUPLING |
| 26 | *9299271 | 138/90 PLIERS FOR ALLOY RIMS |
| 30 | *9299274 | 135/90 TUBELESS ROLLER |
| 31 | 3033675 | CLAMP FOR ALLOY RIMS |
| 32 | 9213747 | KIT OF CLAMP PINS H=6 (4 PCS.) |
| 33 | 9213748 | KIT OF CLAMP PINS H=10 (4 PCS.) |
| 34 | 9213749 | KIT OF CLAMP PINS H=13 (4 PCS.) |

*** = Non Stock Items
Please, Contact Hennessy for Availability**

COATS®

HENNESSY Industries, INC
1601 J.P. Hennessy Drive, LaVergne, TN 37086 USA
Toll Free 800-688-6496
www.coatsgarage.com