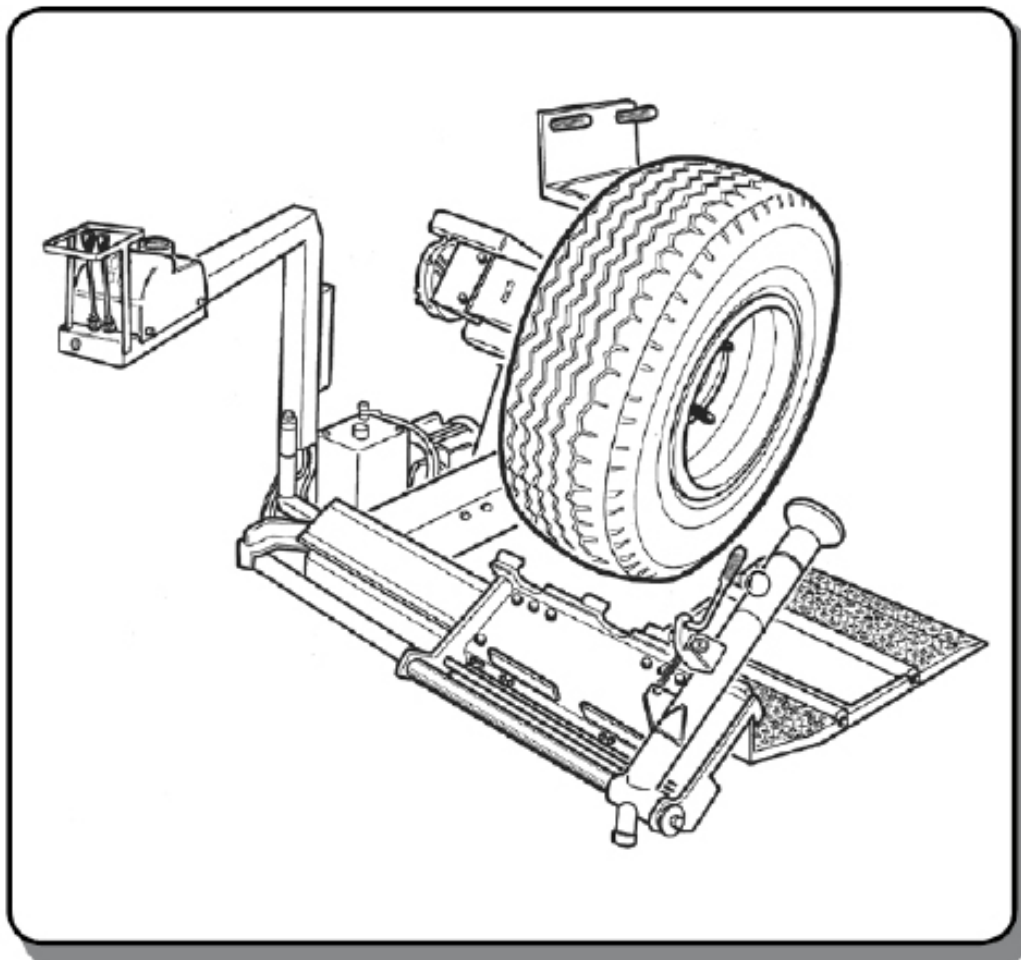


# COATS®

## CHD-4730/W

### Electro-Hydraulic Tire Changer For Medium and Large Size Tires



### *Parts Identification*

READ these instructions before placing unit in service. KEEP these and other materials delivered with the unit in a binder near the machine for ease of reference by supervisors and operators.

**HENNESSY**  
**INDUSTRIES**

1601 J. P. Hennessy Drive, LaVergne, TN USA 37086 615/641-7533 800/688/6359 www.coatsgarage.com  
HENNESSY INDUSTRIES INC. Manufacturer of AMMCO®, COATS® and BADA® Automotive Service Equipment and Tools.

Manual Part No.: 85010072.02  
Revision: 01/17

## **Parts Identification**

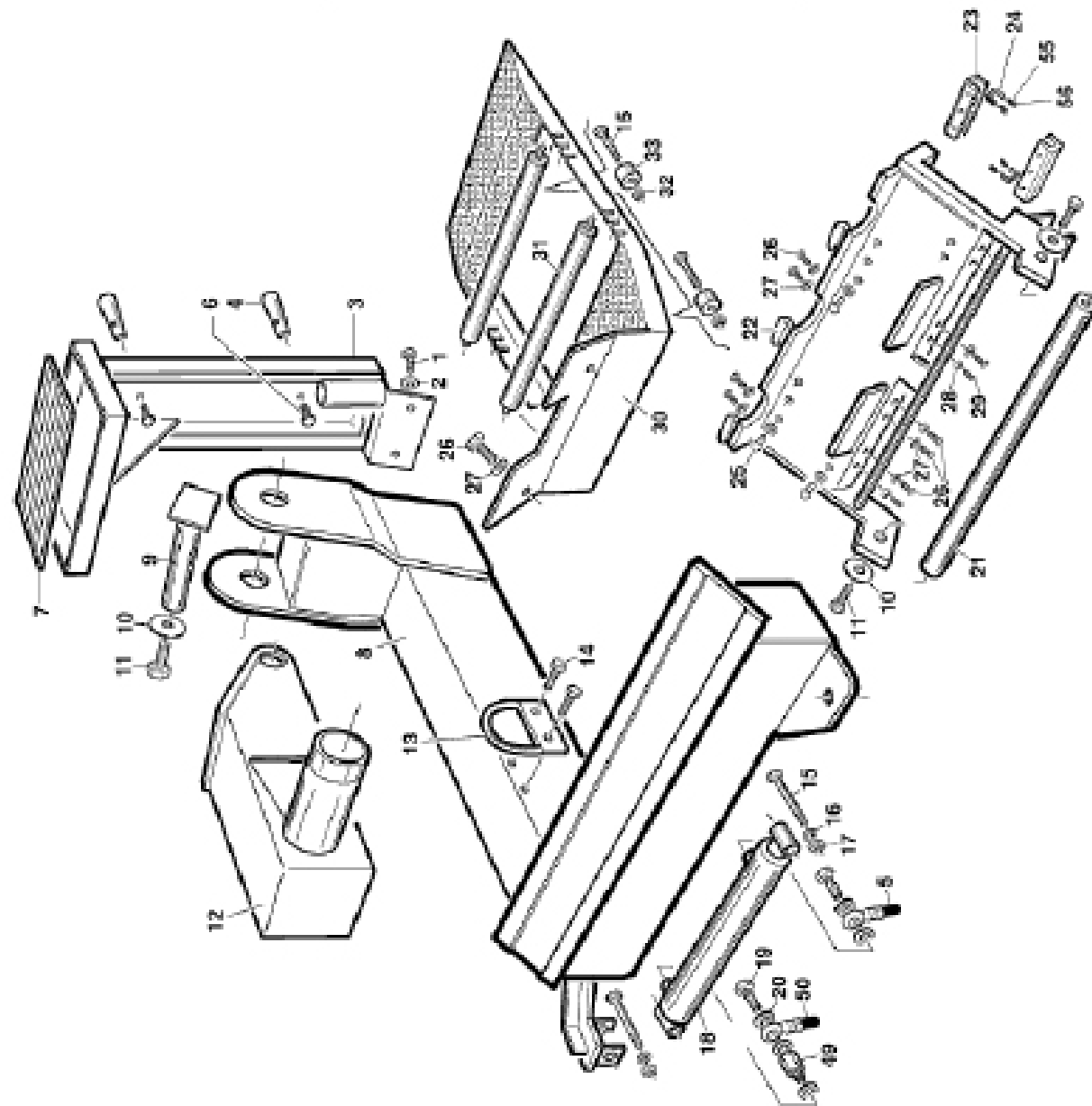
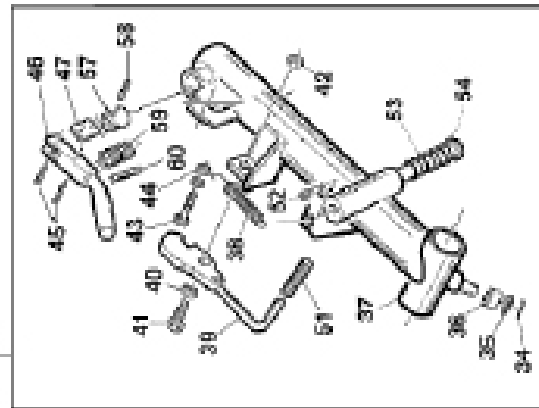
The following pages include parts breakdowns with exploded view illustrations to help with ordering replacement or spare kits. Assemblies are noted where it is recommended that individual parts not be ordered separately. Note that the parts view illustrations are for multiple models and not all parts shown are on all models. Every effort is made to supply accurate exploded views, however, due to interim changes in manufacturing operations, some units may not be exactly as illustrated.

### **Table of Contents**

<b>Frame</b> .....	<b>4</b>
<b>Self-Centering Chuck</b> .....	<b>6</b>
<b>Electric Motor and Hydraulic Power Unit</b> .....	<b>8</b>
<b>Control Device</b> .....	<b>10</b>
<b>Accessories and Options</b> .....	<b>12</b>

**Page intentionally blank**

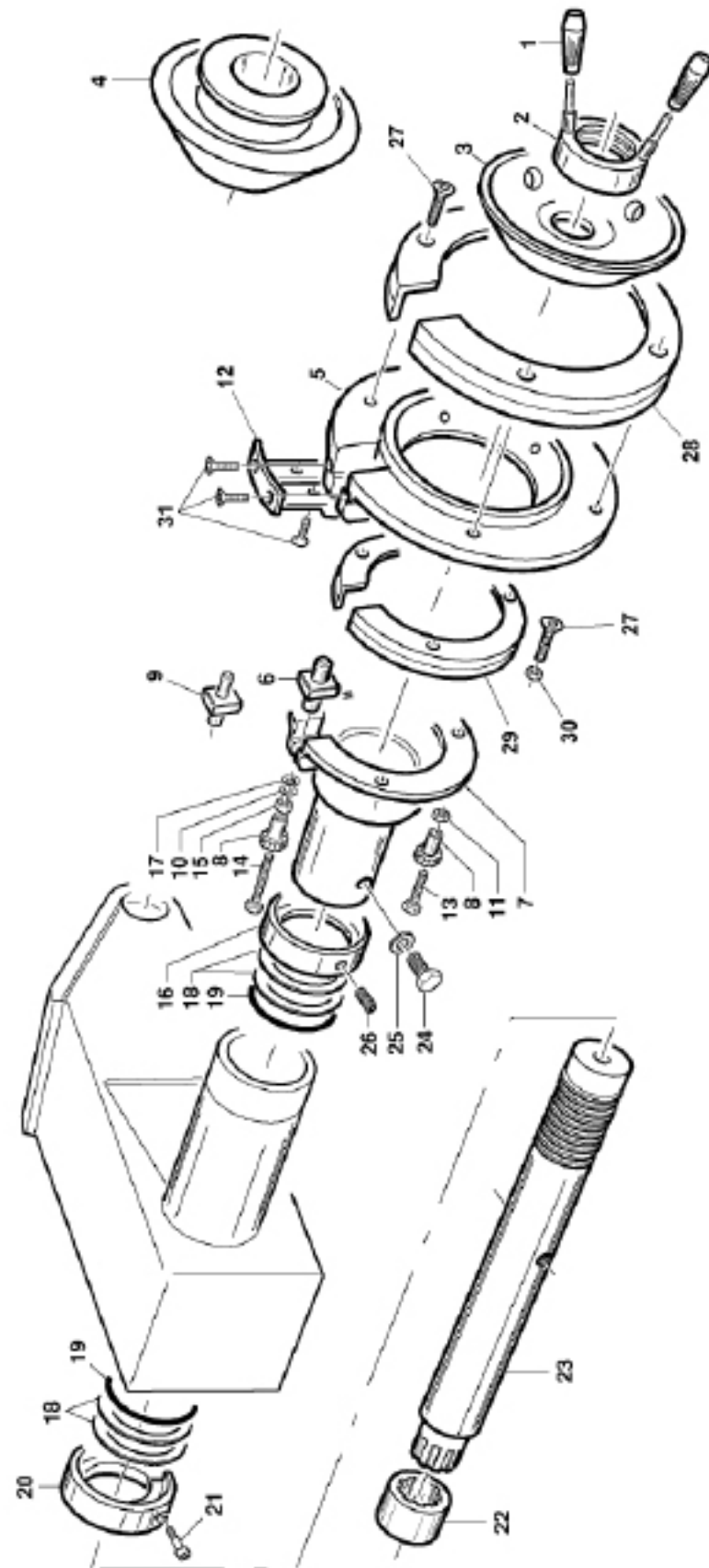
**Frame**



**Frame**

Item	Part No.	Description	Item	Part No.	Description
1	*84399827	SCREW M8x20 8.8	41	*84397334	SCREW 18x65 8.8
2	*84399829	WASHER 8 (8,4x16x1,5)	42	*84399316	SELF-LOCKING NUT M18x1,5
3	*86618196	SUPPORT	43	*84399228	SCREW 10x25
4	*83010283	HANDLE D.25 M10	44	*84399967	NUT M10
5	*83009557	1/4" CARRIAGE HOSE L=2700	45	*84399323	ELASTIC PIN D.6x18
6	*84399953	SCREW 10x16	46	*83001030	LEVER
7	*83009566	POLYGROOVED RUBBER 3mm 395x195	47	*83001028	CONNECTING ROD
8	*87918195	S.554 FRAME	48	*82009977	TOOL-HOLDER GROUP
9	*82109519	BEAD LOOSENER ARM PIN	49	*84199145	STUD BOLT 1/4"
10	*83001067	WASHER	50	*83009556	1/4" CARRIAGE HOSE L=2100 PVC
11	*84399302	SCREW 14x30 8.8	51	*84297550	HANDLE D.28
12	*87918194	ARM	52	*84399297	SCREW 8x130
13	*82409525	BRACKET	53	83001038	SPRING
14	*84399966	SCREW M10x20 - 8.8	54	*83018125	EJECTOR
15	*84399945	SCREW M16x100 8.8	55	*84399903	WASHER 4 (4,5x12x1,5)
16	*84399828	WASHER 16 (17x30x3)	56	*84398945	SELF-TAPPING SCREW 4x12,6
17	*84399963	SELF-LOCKING NUT M16	57	*83001029	BOLT
18	*86609462	LONG CYLINDER D.50 C=600	58	*84399322	ELASTIC PIN D.8x32
19	*84199249	1/4" UNION NUT	59	83001040	SPRING
20	*84399256	WASHER 1/4" D.13x19x1,5	60	*84399321	ELASTIC PIN D.10x20
21	*83009544	TOOL-HOLDER SHAFT			
22	*82109517	CARRIAGE			
23	83018643	CARRIAGE SLIDING SHOE			
24	83019036	SCRAPER 20x20			
25	*84399951	SCREW 10x35 8.8			
26	*84399228	SCREW 10x25 8.8			
27	*84399378	WASHER D.10 (10,5x21x2)			
28	*84399967	NUT M10			
29	*84398849	SCREW M10x16			
30	*86618193	FOOTBOARD			
31	*84294232	ROLLER D.48 L=400			
32	*84399295	NUT M16			
33	84299251	ROLLER			
34	*84399192	SPLIT PIN D.4x36			
35	*84399813	WASHER 20 (21x37x3)			
36	*83001039	ROLLER			
37	*86618140	TOOL-HOLDER			
38	83000114	BEAD LOOSENER SPRING			
39	*82109539	HOOK			
40	*83001031	CAM			

## Self-Centering Chuck

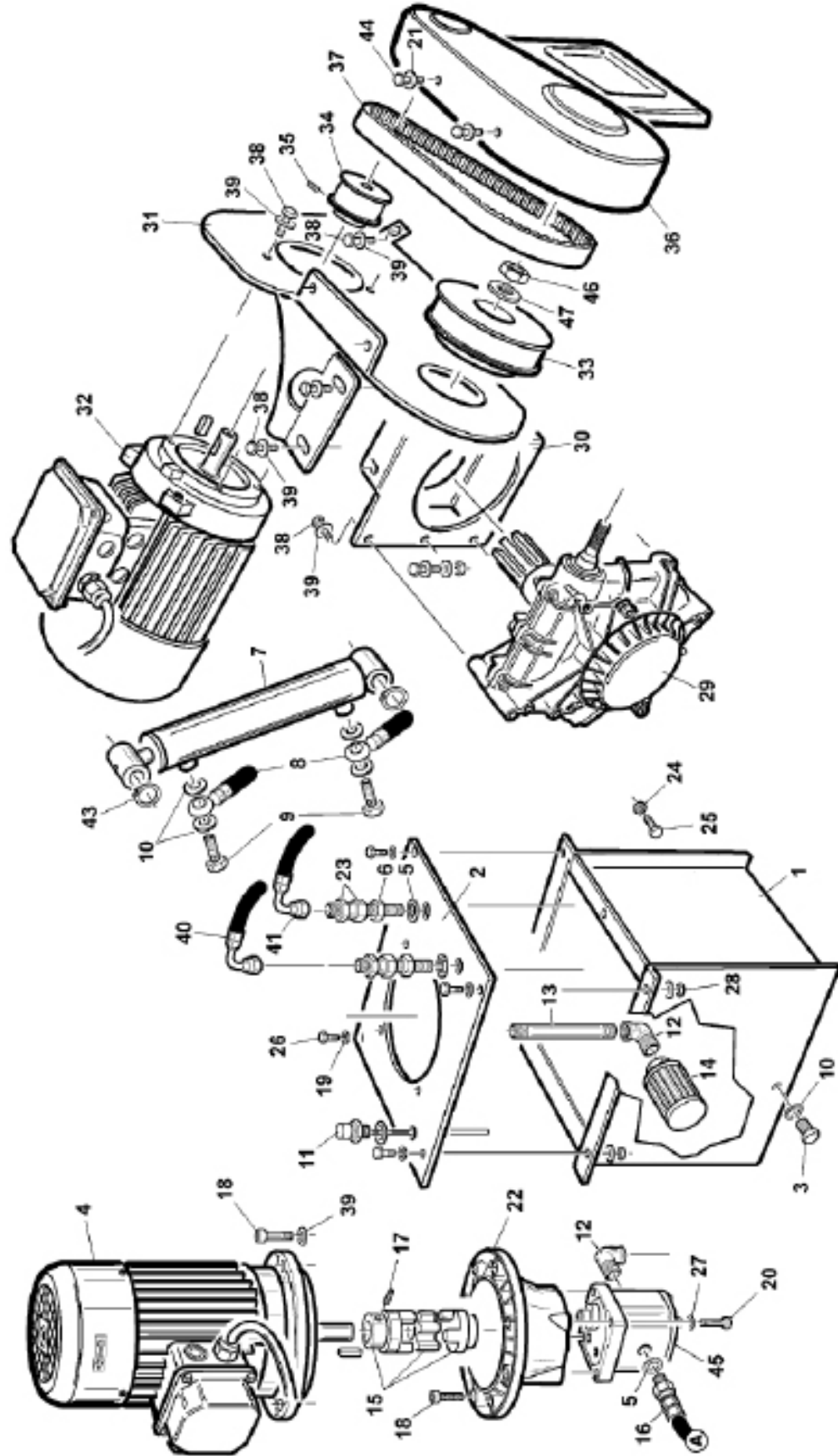


## Self-Centering Chuck

Item	Part No.	Description
1	*84298972	KNOB
2	*82109538	WHEEL CHUCKING RING NUT
3	*83009541	OVERSIZE CONE D.200-300 ALUM.
4	*83009540	SMALL CONE D.95-210 - ALUMIN.
5	*83009542	FLANGE D.200-280 - ALUM - MODEL 4730
	*83012831	FLANGE - MODEL 4730W
6	*83019121	DRIVE PIN D.16 L=73
7	*82109521	CHUCK
8	*84294149	HANDWHEEL
9	*83018781	DRIVE PIN
10	*84398659	BELLEVILLE WASHER 12,2x28x1,5
11	*84399969	NUT M10
12	*82113879	FLANGE STIFFENER
13	*84399329	SCREW 10x40 8.8
14	*84398957	SCREW 10x60 8.8
15	*84399969	NUT M10
16	*83009523	CHUCK FRONT RING NUT
17	*84399378	WASHER D.10 (10,5x21x2)
18	*83001056	SPACER 81x105x0,5
19	*84297195	O-RING 181 (79,33x5,23)
20	*83009524	CHUCK REAR RING NUT
21	*84399956	SCREW 10x25 12.9
22	*83009629	GROOVED JOINT
23	*83009628	CHUCK SHAFT
24	*84399302	SCREW 14x30 8.8
25	*84398807	WASHER 14 (15x28x2,5)
26	*84399121	SCREW 6x6
27	*84399377	SCREW 10x30
28	*83018210	CHUCK FLANGE RUBBER PROTECTION
29	*83018209	CHUCK RUBBER PROTECTION
30	*84399971	SELF-LOCKING NUT M10
31	*84399837	SCREW 8x20

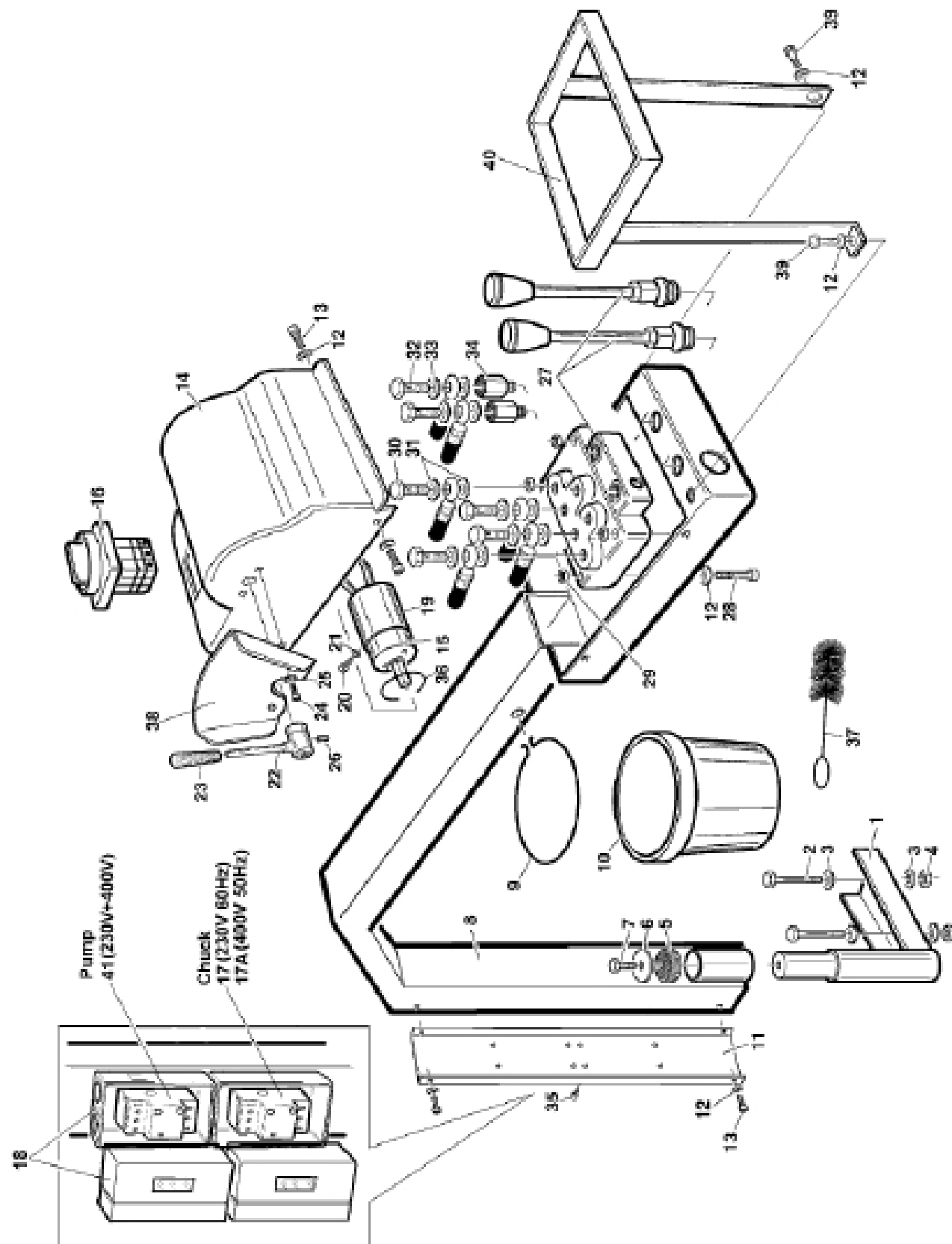
Electric Motor and Hydraulic Power Unit

Electric Motor and Hydraulic Power Unit



Item	Part No.	Description
1	*86618202	TANK
2	*86618204	TANK COVER
3	*84196472	MALE PLUG 1/4"
4	*84594305	MOTOR 3PH 200-240/345-415V.50/60HZ B5
5	*84198598	COPPER WASHER 3/8" 17x23x1,5
6	*84197600	UNION 3/8"
7	*86609461	CYLINDER D.50 C=250
8	*83009558	HOSE 1/4" L=2800
9	*84199250	UNION BOLT 1/4"
10	*84399256	COPPER WASHER 1/4" D.13x19x1,5
11	*83010651	OIL LEVEL PLUG 1/2" L=180
12	*84197240	90" UNION MF 3/8"
13	*84197239	SPACER 3/8"
14	*84197241	OIL FILTER 15 *4197873
16	*83009760	ELASTIC JOINT D.24
17	*84399121	HOSE 3/8" L=340
18	*84399956	SCREW 10x25
19	*84399829	WASHER 8 (8,4x16x1,5)
20	*84399299	SCREW 6x30
21	84398848	WASHER 6 (6,6x18x1,5)
22	*84197872	FLANGE GR.80 D.200 HL5L
23	*84197621	UNION 3/8"
24	*84399969	NUT M10
25	*84399786	SCREW 10x30
26	*84399827	SCREW 8x20
27	*84399998	WASHER 6 (6,4x12x1,6)
28	*84399976	NUT M8
29	82010985	REDUCTION GEAR
30	*86609531	SUPPORT
31	*86618198	MOTOR SUPPORT
32	*84594306	MOTOR 3PH 208-230V.50/60HZ Kw.1,1 B14 CSA
33	*83199596	GEARBOX PULLEY
34	*83003444	MOTOR PULLEY
35	84398826	SCREW 10x20
36	*83018181	BELT PROTECTIVE CASE
37	84294184	MEGADYNE BELT
38	*84399228	SCREW 10x25
39	*84399378	WASHER D.10 (10,5x21x2)
40	*83018173	EXHAUST PIPE 1/4" L=3000
41	*83018172	CONNECTING PIPE 1/4" L=3000
42	*84399969	NUT M10
43	*84399979	SEEGER RING D.30
44	*84398723	SCREW 6x12
45	*84197253	PUMP
46	*84396941	NUT M14
47	*84398802	NUT M14

Control Device

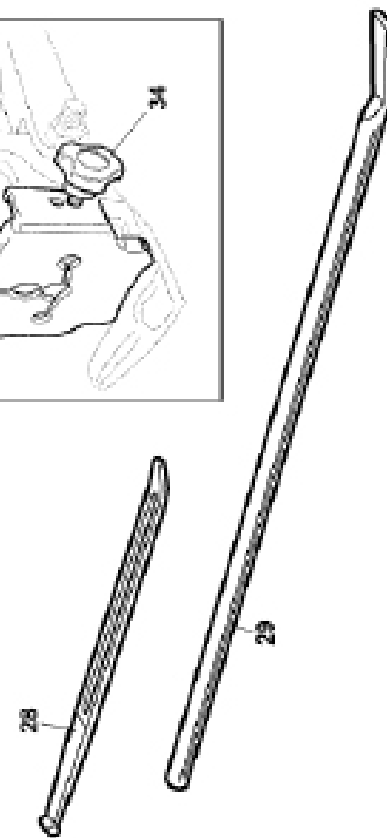
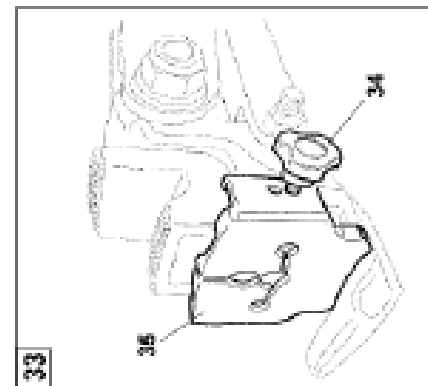
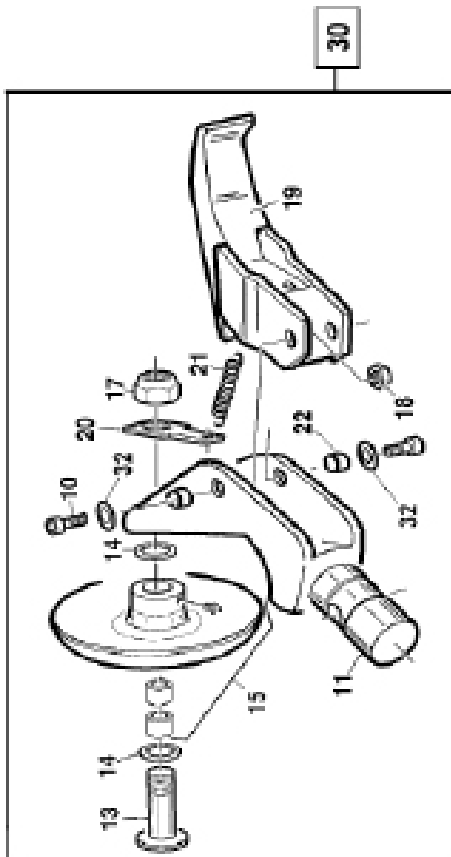
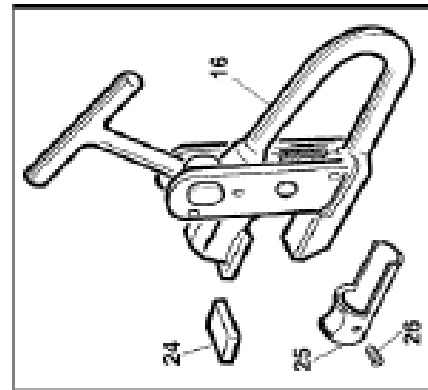
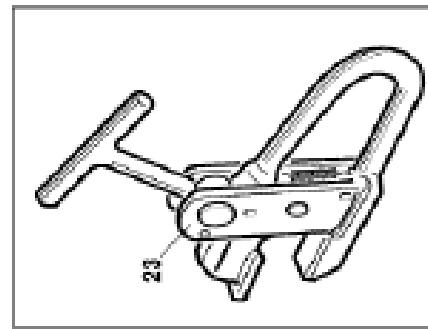
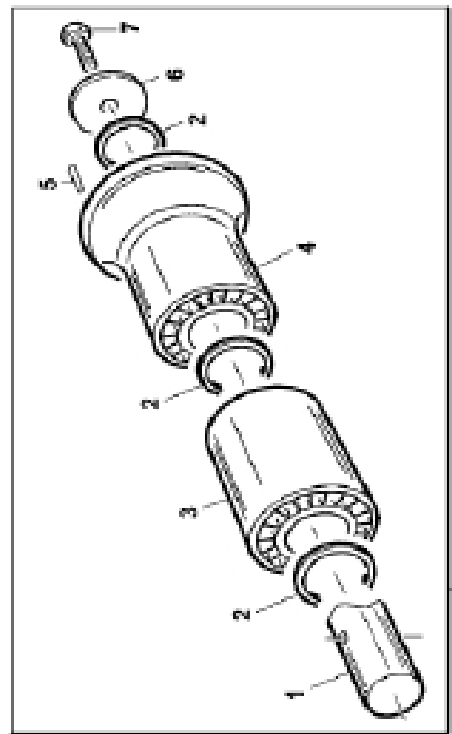


Control Device

Item	Part No.	Description
1	*86609533	CONTROL ARM SUPPORT
2	*84399329	SCREW 10x40 8.8
3	*84399378	WASHER D.10 (10,5x21x2)
4	*84399969	NUT M10
5	*83002601	WASHER D.10x45x4
6	*83002311	WASHER D.10x45x4
7	*84399228	SCREW 10x25 8.8
8	*86609534	CONTROL ARM
9	*83000069	CUP RING
10	*84299984	GREASE CUP
11	*86609781	CONTROL ARM COVER
12	*84399998	WASHER 6 (6,4x12x1,6)
13	*84399300	SCREW M6x12 8.8
14	*83009537	CONTROLS COVER
15	84595327	20A INVERSER
16	84597862	ISWITCH 3x12A
17	*84594177	OVERLOAD CUTOUT (230V - 60Hz)
	*84597268	OVERLOAD CUTOUT (400V - 50Hz)
18	*84597276	OVERLOAD CUTOUT CASE
19	*83000174	REVERSER COVER
20	*84399885	SCREW TC 4x25
21	*84399996	NUT M4 6S
22	*86609973	REVERSER CONTROL LEVER
23	*84297981	KNOB
24	*84397178	SCREW 3x10 12.9
25	*84399903	WASHER 4 (4,5x12x1,5)
26	*84399121	SCREW 6x6
27	*84197349	HYDRAULIC DISTRIBUTION UNIT
28	*84398620	SCREW 6x45 8.8
29	*84399889	NUT M6
30	*84197330	3/8" UNION NUT
31	*84198598	COPPER WASHER 3/8" 17x23x1,5
32	*84199249	1/4" UNION NUT
33	*84399256	WASHER 1/4" D.13x19x1,5
34	*84199145	STUD BOLT 1/4"
35	*84398904	SCREW TSP 4x25 4.8
36	*83001976	PLASTIC RING
37	*83199628	BRUSH
38	*86611746	LEVER COVER
39	*84399229	SCREW TE M6x45 8.8
40	*86611747	LEVER COVER
41	*84597268	OVERLOAD CUTOUT

Accessories and Options

Accessories and Options



Item	Part No.	Description
1	*83030912	TUBELESS ROLLER SHAFT
2	*84394647	STEEL SHIM 52x65x1
3	*83018066	TYRE SUPPORT
4	*83018067	BEAD LOOSENER ROLLER
5	*84398880	SPRING PIN 4x12
6	*83018119	WASHER
7	*84399302	SCREW 14x30
9	*89218165	432/07 ROLLER FOR TUBELESS TIRE
10	*84397504	SCREW 12x30
11	*82110827	SUPPORT
13	*83010831	PIN
14	84396915	RING 41x52Ex0,5 (3)
15	*82019102	BEAD LOOSENING DISC
16	*82009782	PLIER
17	*84396916	SELF-LOCKING NUT 27x3
18	*84398657	NUT M12
19	*82110836	SHORT MOUNTING TOOL
20	*83010841	SPRING CONNECTION
21	83001266	SPRING D.18 L=72
22	*83000108	SPACER 12x18x11,5
23	*82019650	PLIERS
24	*83001304	SCREW ANCHOR
25	*83001303	COUPLING
26	*84399121	SCREW 6x6
27	89299271	138/90 PLIERS FOR ALLOY RIMS
28	*83001061	LEVER
29	*86601002	BEAD LIFTING LEVER
30	*82010852	DOUBLE TOOL
32	*84396878	STEEL SHIM 12x25x0,5
33	*82033519	CLAMP SPACER
34	84294076	BALL GRIP THP 25 M.6x15
35	87019167	CLAMP SUPPORT SPACER

**Notes**

**Notes**



