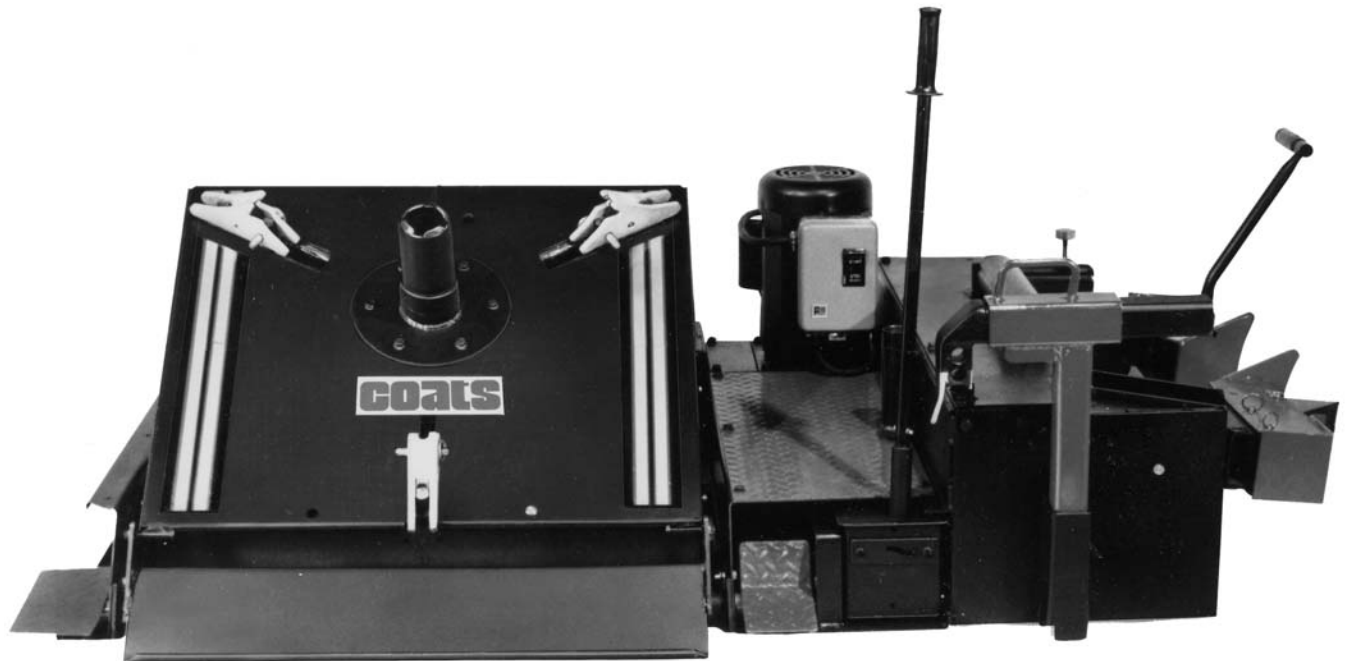


# COATS®

## H.I.T. 6000 Truck Tire Changer



### *Parts Identification*

READ these instructions before placing unit in service KEEP these and other materials delivered with the unit in a binder near the machine for ease of reference by supervisors and operators.

**HENNESSY INDUSTRIES, INC.**

1601 J. P. Hennessy Drive, LaVergne, TN USA 37086-3565 615/641-7533 800/688-6359

HENNESSY INDUSTRIES INC. Manufacturer of AMMCO®, COATS® and BADA® Automotive Service Equipment and Tools.

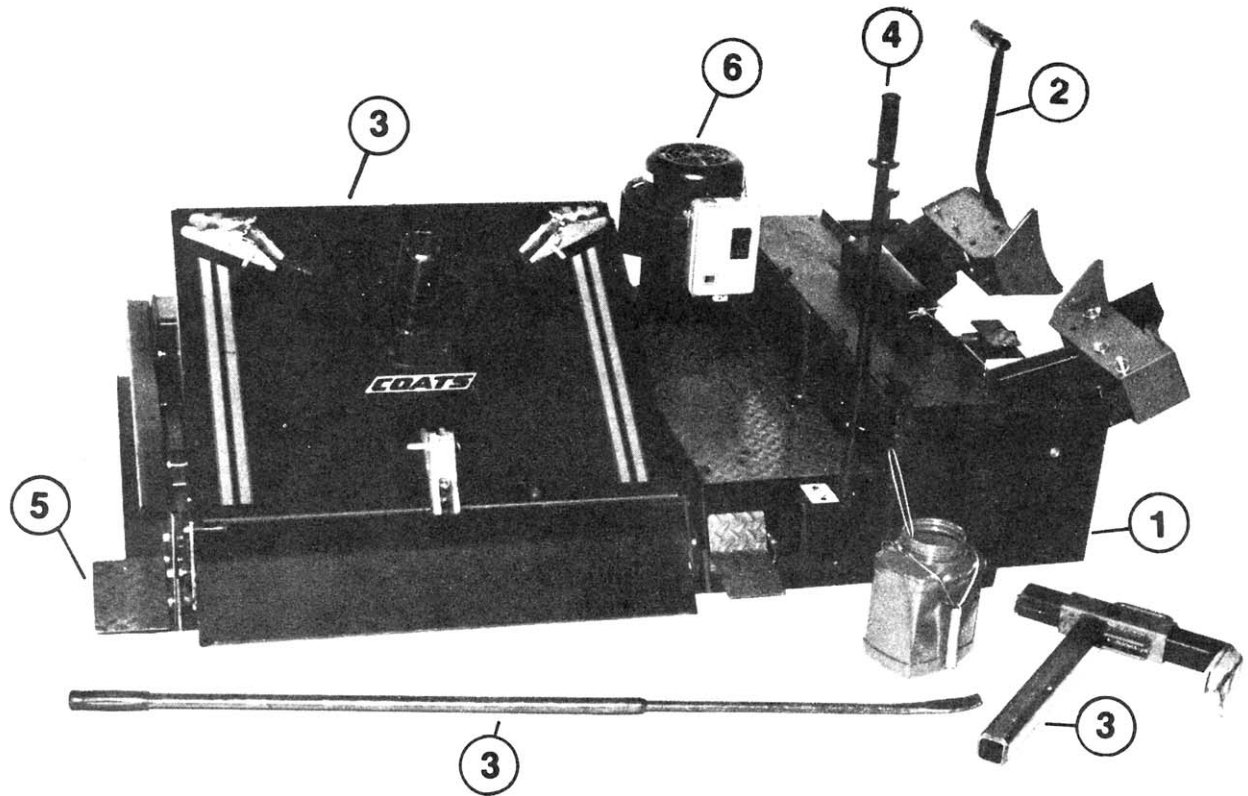
Manual Part No.: 8120584 03

Revision: 01/13

# Parts Identification

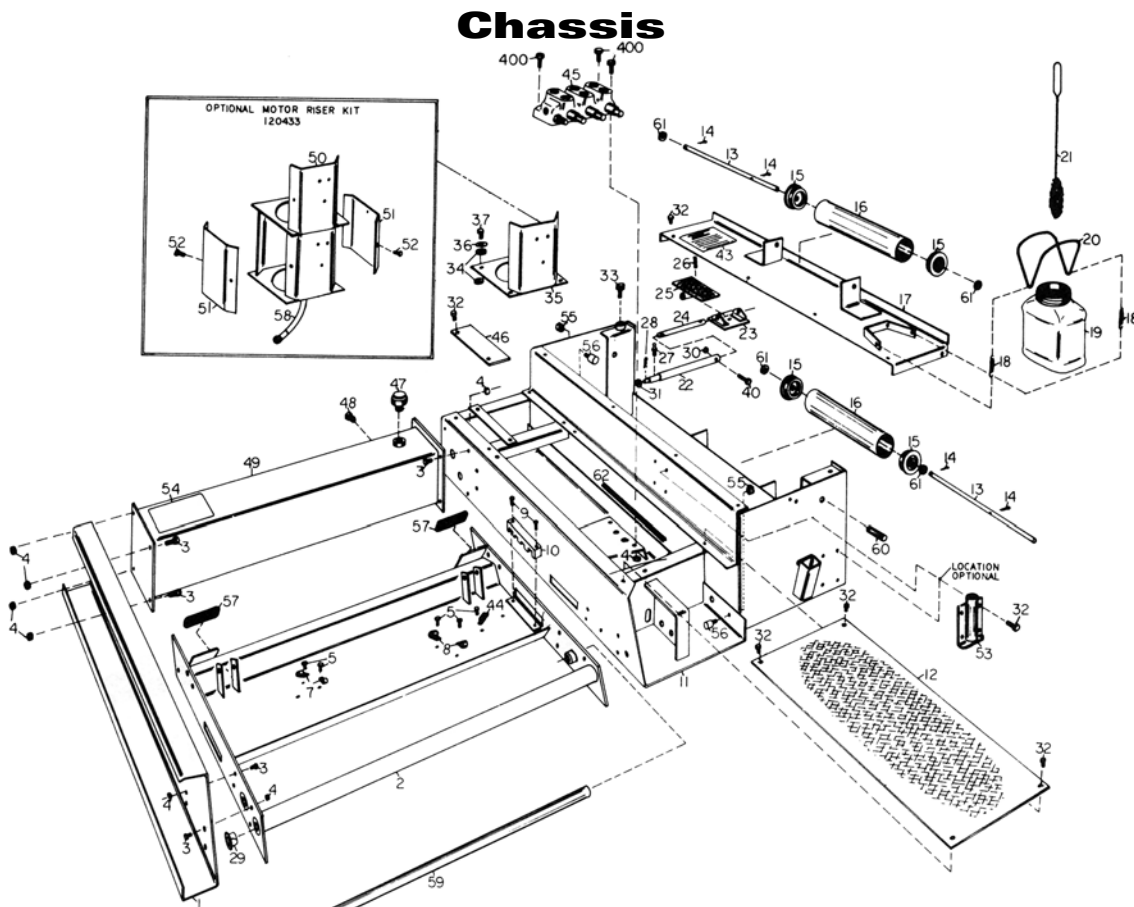
# Parts Identification

## Table of Contents



Detail	Page	Description
1	4	Chassis
2	5	Bead Loosener
3	6-7	Working Table
4	8	Air Circuit
5	9	Hydraulic System
6	10	Electrical System
	11	Schematics Electric & Hydraulic

# Parts Identification

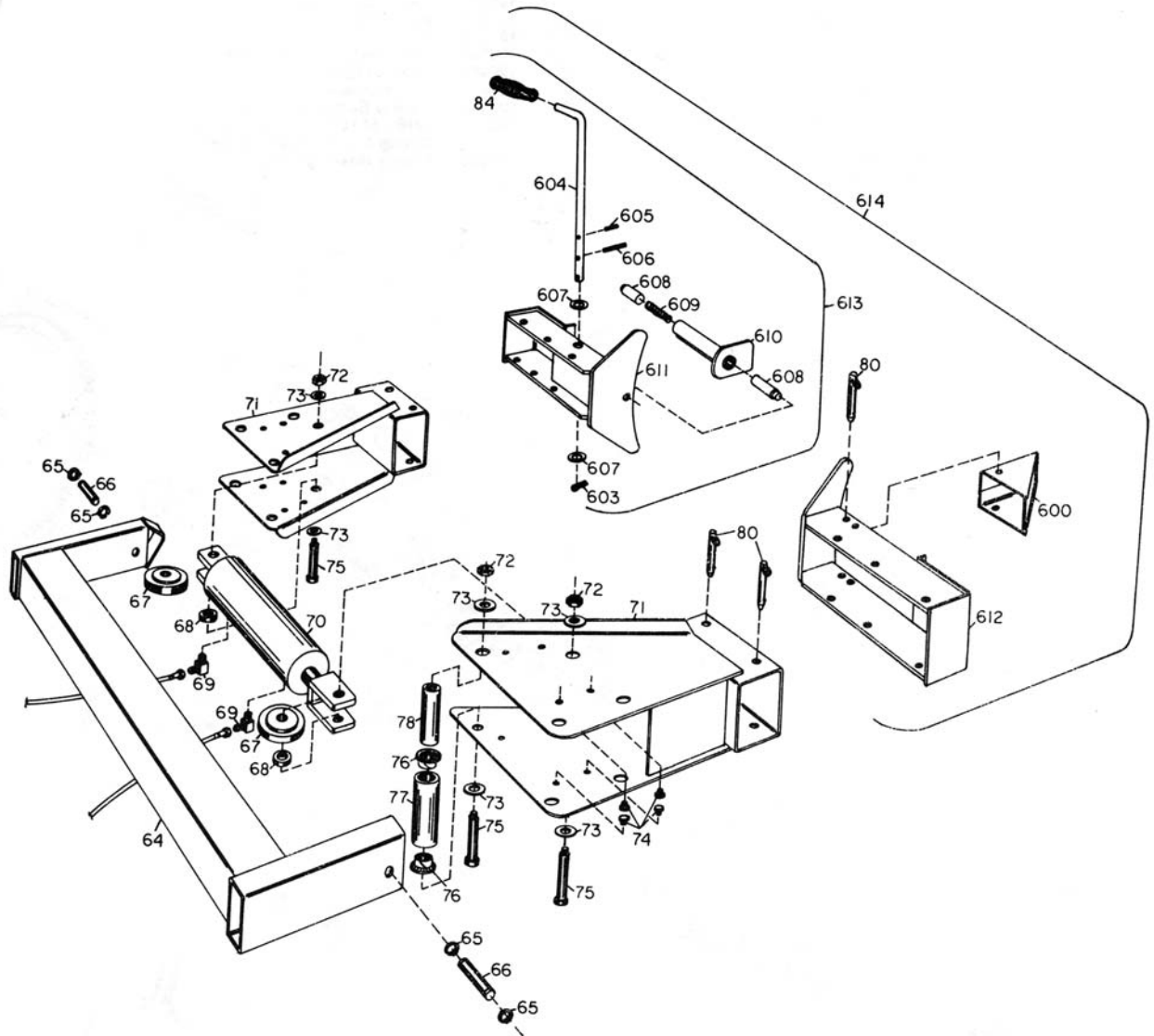


ITEM	PART NO.	DESCRIPTION	ITEM	PART NO.	DESCRIPTION
1	8120185	Outboard Rail	32	8-106300	3/8 x 3/4 Self Tapping Bolt (Ea.)
2	8120130	Cradle	33	8120308	Screw Adjusting
3	8000524	3/8 x 1 Cap Screw (Ea.)	34	8120369	Rubber Washer (Ea.)
4	8000516	3/8 Lock Nut (Ea.)	35	8120336	Switch Box Bracket
5	8120455	10-24 Screw (Ea.)	36	8000448	3/8 Washer
7	8120387	Hose Clamp 1/8 ID (Ea.)	37	8105131	3/8 x 1-1/4 Self Tapping Bolt
8	8120386	Hose Clamp 5/16 ID (Ea.)	43	8120348	Warning Decal
9	8105390	1/4 x 1-1/2 Cap Screw (Ea.)	44	8120553	Hose Retainer
10	8120139	Hose Block	45	8120553	Hydraulic Valve
11	8120300	Bead Loosener Frame	46	8120171	Cover Plate (small)
12	8120172	Cover Plate	47	8120291	Breather Cap Assembly
13	8120307	Roller Pivot (Ea.)	48	8120151	1/4 NPT Pipe Plug
14	8107419	Hitch Pin	49	8120151	Reservoir
15	8120192	Bearing Roller (Ea.)	*50	8120383	Motor Riser
16	8120191	Roller (Ea.)	*51	8120382	Cover
17	8120188	Bead Loosener Cover	*52	8106301	1/4 x 1/2 Self Tapping Bolt
18	8101106	Spring	53	8120328	Tool Holder
19	8120347	Lube Bottle	54	8120425	Maintenance Decal
20	8120346	Hold Down Lube Bottle	55	8103260	1/2 Lock Nut
21	8120366	Cotton Swab	56	8104263	3/4 Stud
22	8120305	Pedal Extension	57	8120432	Table Stop Cushion
23	8120147	Foot Pedal Base	*58	8120427	5/16 Riser Hose Assembly
24	8120312	Rod Extension	59	8120180	Rod Table Top Pivot
25	8120143	Foot Pedal	60	8120314	Pin Bead Loosener Pivot
26	8100602	3/16 x 1-1/4 Roll Pin	61	8101253	3/4" Machine Bushing (Ea.)
27	8106847	Pivot Ball	62	8120471	12" Trim
28	8107419	Hitch Pin	400	8000278	3/8" x 2-1/4" N.C. HHCS (Ea.)
29	8106007	3/4 Nylon Bearing			
30	8000591	1/4 Lock Nut			
31	8010027	1/2 Washer			

\* Optional

# Parts Identification

## Bead Loosener



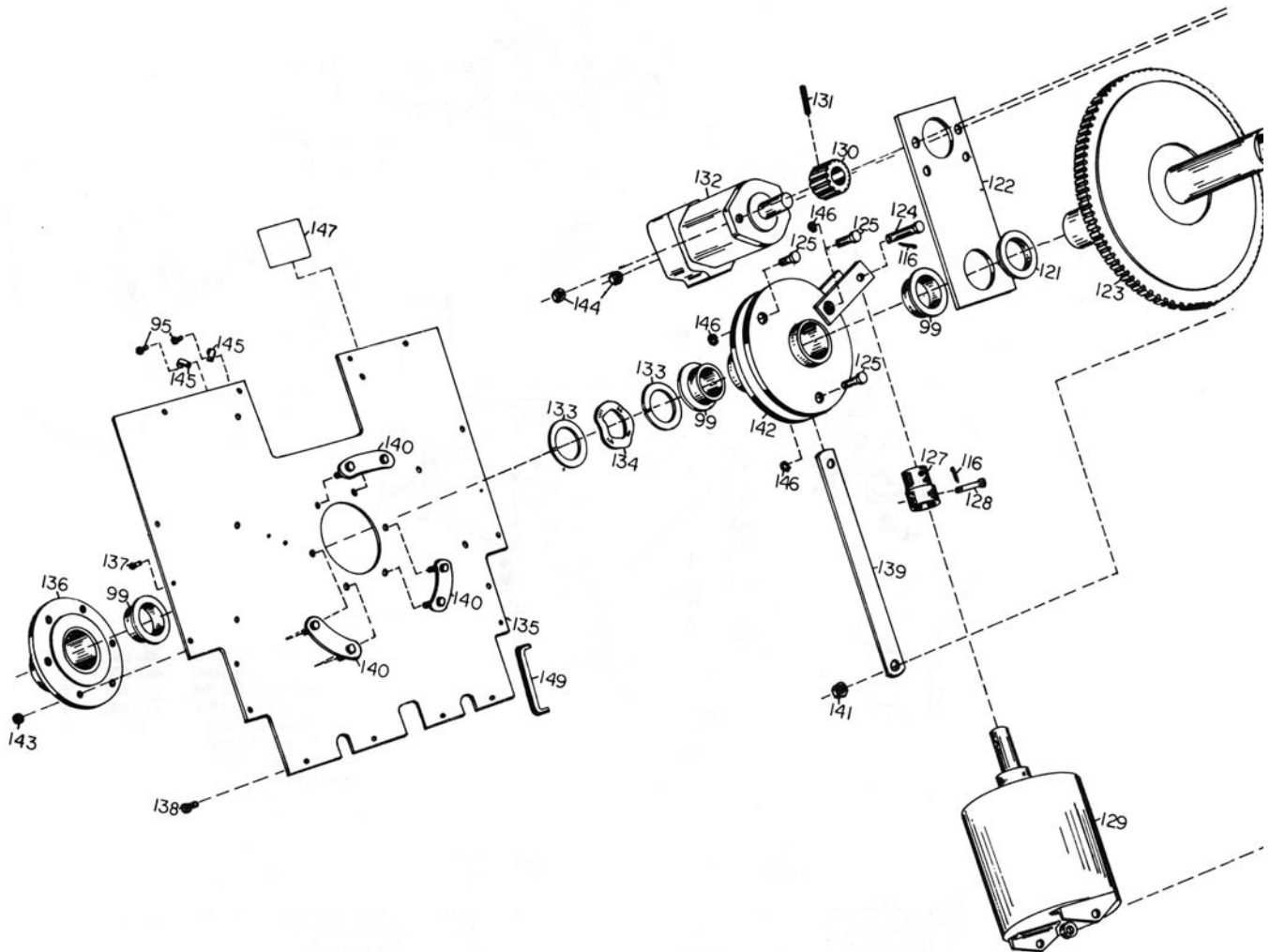
ITEM	PART NO.	DESCRIPTION
64	8120096	Bead Loosener Rail Tube
65	8101001	3/4" Snap Ring (Ea.)
66	8120314	Pin Bead Loosener Pivot
67	8120099	Bead Loosener Cyl. Wheel (Ea.)
68	8120103	Bead Loosener Cyl. Spacer (Ea.)
69	8120286	1/4 NPT x 3/8 JIC 90 degree ELL (Ea.)
70		Bead Loosener Cylinder (See page 9)
71	8120105	Bead Loosener Carrier (Ea.)
72	8120055	5/8-11 N.C. Flange Nut (Ea.)
73	8101253	3/4" Machine Bushing
74	8120100	Bead Loosener Slide Button (Ea.)
75	8120371	3/4" x 4 Shoulder Bolt (Ea.)
76	8101351	1-1/4" Nylon Bearing (Ea.)
77	8120102	Bead Loosener Roller Tube (Ea.)
78	8120104	Bead Loosener Roller Spacer (Ea.)
80	8120326	Detent Pin (Ea.)
84	8100979	Handle Grip
600	8120513	Wheel Stop
603	8107419	Hitch Pin
604	8120541	Handle

ITEM	PART NO.	DESCRIPTION
605	8100602	3/16 x 1-1/4 Roll Pin
606	8101094	1/4 x 2-1/2 Roll Pin
607	8103264	3/4 x 1-1/4 Machine Bushing
608	8120539	Shoulder Pin (Ea.)
609	8104284	Detent Spring
610	8120535	Pivotal Shoe
611	8120544	B.L. Shoe W/C R.H.
612	8120112	B.L. Shoe W/C L.H.
613	8120545	Pivotal Shoe Assy
614	8120550	Pivotal Shoe Kit Comp.

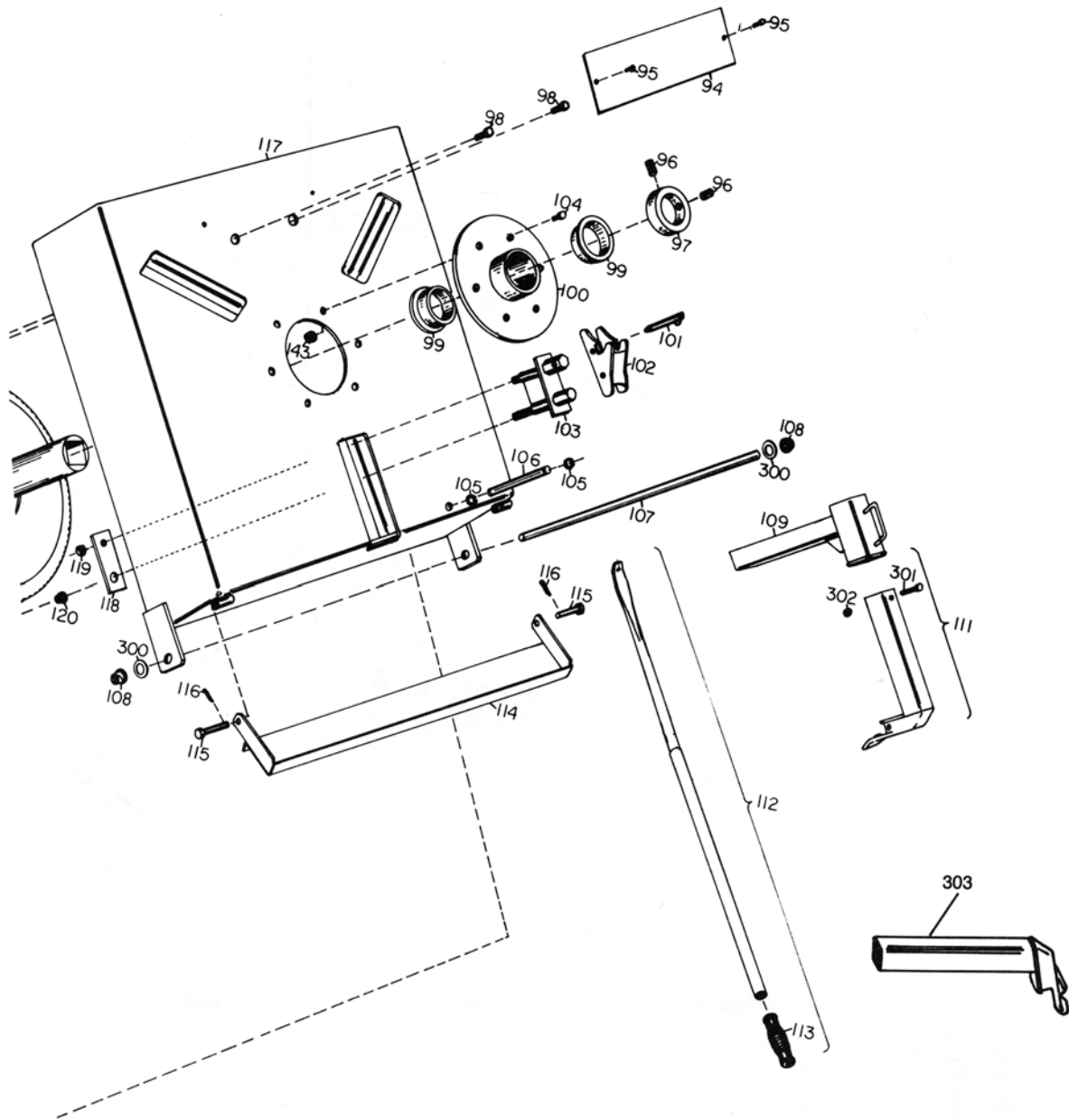
# Parts Identification

## Working Table

ITEM	PART NO.	DESCRIPTION	ITEM	PART NO.	DESCRIPTION
94	8120373	Name Plate	108	8106007	3/4 Nylon Bearing
95	8104945	1/4 Self Tapping Bolt (Ea.)	109	8120082	Combo Tee
96	8120016	Quill Set Screw	111	8120092	Combo Tool Assembly
97	8120015	Quill Collar	112	8120334	Bead Lifting Tool
98	8120063	1/2-13 Hex Head Cap Screw (Ea.)	113	8107515	Handle Grip
99	8120012	Flange Bearing (Ea.)	114	8120343	Apron
100	8120010	Crown Flange Bearing	115	8120340	Clevis Pin 3/8 x 2-5/8 (Ea.)
101	8120088	Detent Pin Clamp (Ea.)	116	8107419	Hair Pin Clip
102	8120075	Clamp Plate (Ea.)	117	8120400	Table Chassis
103	8120057	Clamp Carrier (Ea.)	118	8120053	Carrier Bottom Plate (Ea.)
104	8106302	3/8 Whiz Lock Bolt (Ea.)	119	8120452	9/16 - 12 Hex. Jam Nut w/lock (Ea.)
105	8101001	3/4 Snap Ring (Ea.)	120	8120054	Clamp Carrier Bushing (Ea.)
106	8120048	Air Cylinder Pivot	121	8120068	Flange Bearing Short
107	8120180	Rod Table Top Pivot			



# Parts Identification

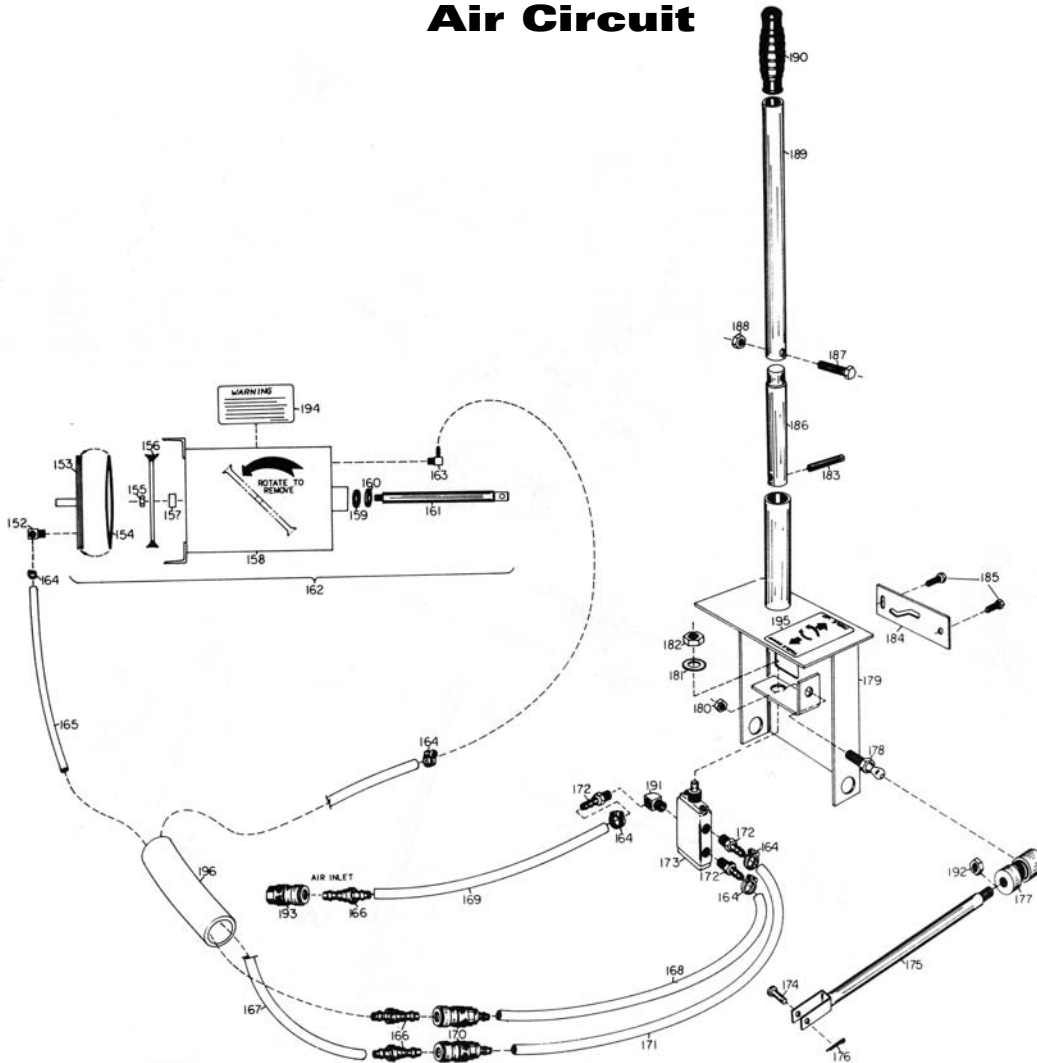


ITEM	PART NO.	DESCRIPTION
122	8120067	Hydraulic Motor Spacer Plate
123	8120021	Quill & Gear
124	8120087	1/2 Clevis Pin Long (Ea.)
125	8120430	1/2 Short Groove Pin (Ea.)
127	8120050	Air Cylinder Extension
128	8120429	1/16 x 1-1/2 Clevis Pin
129	8106645	5" Air Cylinder
130	8120065	Pinion Gear Motor
131	8120066	3/8 x 1-1/2 Spirol Pin
132	8120071	Hydraulic Motor
133	8120027	Shim (Ea.)
134	8120020	Wave Spring
135	8120399	Lower Cover Plate Assembly
136	8120018	Lower Flange Bearing
137	8120337	Round Head Drive Stud (Ea.)
138	8120325	5/16 x 1 Serrated Washer Head Screw (Ea.)

ITEM	PART NO.	DESCRIPTION
139	8120047	Clamp Timing Link
140	8120423	Bolting Plate (Ea.)
141	8120055	5/8-11 NC Flange Nut (Ea.)
142	8120004	Cam Plate
143	8120424	3/8 Washer Head Lock Nut
144	8120458	1/2 Lock Nut
145	8120386	5/16 Clamps
146	8120095	Snap Ring 1/2"
147	8120443	Lower Cover Warning Decal
149	8120462	Hose Pad
300	8101253	3/4" Machine Bushing
301	8120526	3/8 x 2-1/2 N.C. HHCS
302	8000516	3/8 Lock Nut
303	8120564	Duplex Combo Tool

# Parts Identification

## Air Circuit

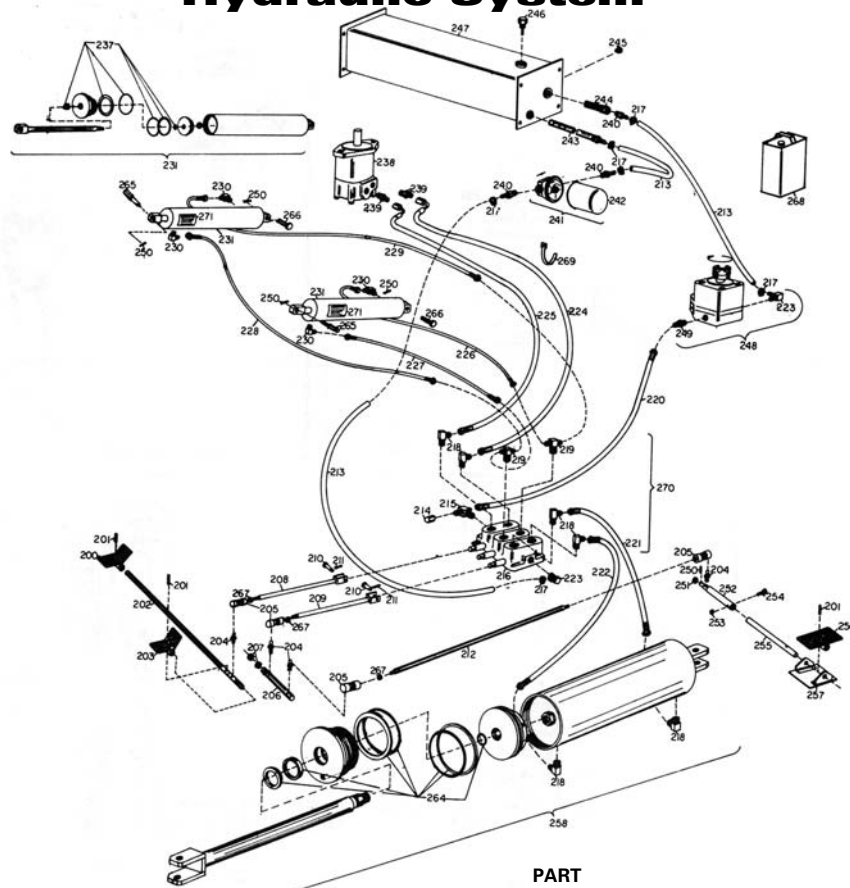


ITEM	PART NO.	DESCRIPTION	ITEM	PART NO.	DESCRIPTION
152	8000376	1/4" x 90 degree Fitting	175	8120161	Long Linkage
153	8106652	Bottom Cap	176	8120469	Hair Pin Clip
154	8000465	Cap O-ring	177	8106848	Retainer
155	8120463	3/4" Jam Nut	178	8106847	Pivot Ball
156	8107576	Piston Cup	179	8120181	Clamp Valve Bracket
157	8107511	Spacer	180	8000516	3/8" Lock Nut
158	8106646	Barrel Weldment	181	8104613	5/8" External Lock Washer
159	8106835	Rod Seal	182	8104611	5/8" Jam Nut N.F.
160	8106657	Wiper Seal	183	8120459	1/4" x 2 Spring Pin
161	8106779	Piston Seal	184	8120381	Valve Adjusting Plate
162	8106645	5" Cylinder Assembly	185	8106301	1/4" Self Tapping Screw
163	8105635	90 degree Short Fitting	186	8120178	Handle Shaft Valve
164	8101428	Hose Clamp	187	8120321	1/4" x 1-1/4" Cap Screw N.C.
165	8120270	Hose 1/4" I.D. x 26" Red	188	8000591	1/4" Lock Nut N.C.
166	8106319	Quick Coupler Male	189	8120182	Valve Bracket Handle
167	8120268	Air Hose 32"	190	8120332	Handle Grip
168	8120450	1/4" x 8" Air Hose Red	191	8120316	1/8" x 1/8" Street ELL
169	8120264	Air Hose 44"	192	8120368	3/8" x 24 Jam Nut
170	8106320	Quick Coupler Female	193	8120440	Quick Coupler-Female
171	8120271	Hose 8"	194	8120445	Decal Air Cylinder
172	8104844	1/4" Hose Fitting	195	8120349	Instruction Decal (Handle)
173	8120315	Air Valve	196	8120473	Rubber Tube
174	8106455	1/4" Clevis Pin			



# Parts Identification

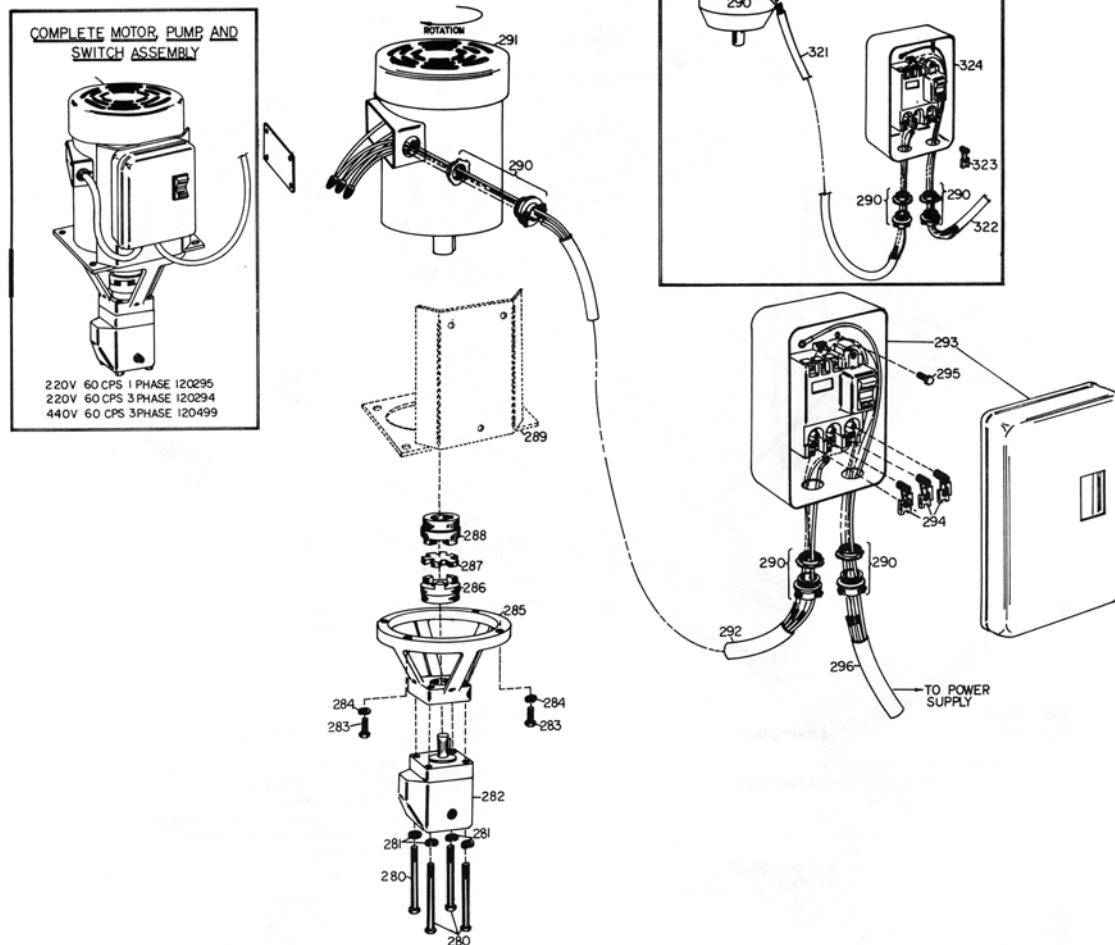
## Hydraulic System



ITEM	PART NO.	DESCRIPTION	ITEM	PART NO.	DESCRIPTION
200	8120385	Foot Pedal L.H.	231	8120239	Lift Cylinder (Ea.)
201	8100602	3/16 x 1-1/4 Roll Pin (Ea.)	237	8120527	Seal Kit Lift Cyl. (Ea.)
202	8120179	Pedal Rod	238	8120071	Hydraulic Motor
203	8120140	Foot Pedal R.H.	239	8120249	ST 3/8 x 7/8 ST Thread Fitting (Ea.)
204	8106847	Pivot Ball (Ea.)	240	8120217	ST Fitting 3/4 NPT 1/2 Hose
205	8106848	Retainer (Ea.)	241	8120221	Filter Comp.
206	8120196	Bead Loosener Valve Shaft	242	8120222	Filter Only
207	8101001	3/4" Snap Ring (Ea.)	243	8120377	Baffle Tube
208	8120161	Long Linkage Rod	244	8120220	1 x 3/4 x 6 Strainer
209	8120163	Short Linkage Rod	245	8120344	1/4 NPT Pipe Plug
210	8106455	1/4" Clevis Pin	246	8120291	Breather Cap Assembly
211	8120469	Hair Pin Clip	247	8120151	Reservoir
212	8120193	Bead Loosener Linkage Tube	248	8120555	Replacement Hydraulic Pump Assy.
213	8120252	1/2" I.D. Rubber Hose	249	8120210	ST Fitting 3/8 Tube 3/8 NPT
214	8120287	3/8" JIC Cap	250	8107419	Hitch Pin
215	8120288	3/8" x 3/8" JIC Tee	251	8010027	1/2" Washer
216	8120553	Control Valve and Mtg. Hwd.	252	8120305	Pedal Extension
217	8101346	Hose Clamp (Ea.)	253	8000591	1/4" Lock Nut
218	8120286	1/4 NPT x 3/8 JIC 90 degree ELL (Ea.)	254	8105390	1/4 x 1-1/2 Cap Screw
219	8120290	Plug & Tee Assembly (Ea.)	255	8120312	Rod Extension
220	8120227	Hose Assembly 5/16" x 16"	256	8120143	Foot Pedal
221	8120229	Hose Assembly 5/16" x 24-3/4"	257	8120147	Pedal Base
222	8120228	Hose Assembly 5/16" x 23"	258	8120240	Bead Loosener Cylinder
223	8120235	90 degree Fitting 3/8 NPT x 1/2 Hose (Ea.)	264	8120420	Seal Kit B.L. Cylinder
224	8120226	Hose Assembly 5/16" x 71"	265	8120089	1/2" Clevis Pin
225	8120297	Hose Assembly 5/16" x 71"	266	8120129	2-1/4 Clevis Pin
226	8120233	Hose Assembly 1/8" x 20"	267	8120368	3/8 - 24 Jam Nut
227	8120234	Hose Assembly 1/8" x 17"	268	8120454	1 Gal. Hydraulic Oil
228	8120232	Hose Assembly 1/8" x 54"	269	8120441	Nylon Cable Tie
229	8120231	Hose Assembly 1/8" x 61"	270	8120242	Valve with Fittings & Mtg. Hwd.
230	8120213	90 degree Fitting 1/4" Tube 1/4 NPT (Ea.)	271	8120444	Warning Decal Hyd. Cyl.

# Parts Identification

## Electric System

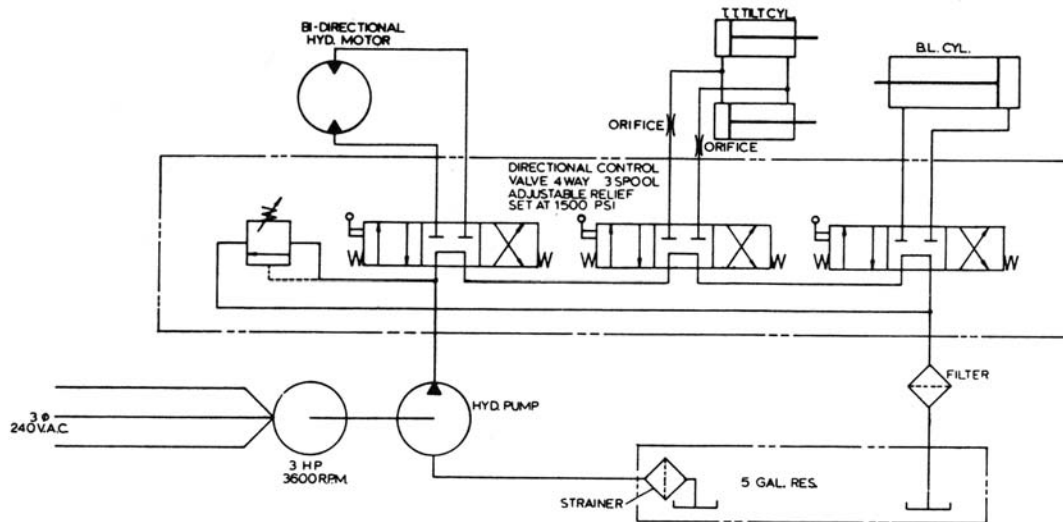


ITEM	PART NO.	DESCRIPTION
280	8120324	5/16" x 3-1/2" Cap Screw (Ea.)
281	8120421	5/16" Lock Washer (Spring Lock) (Ea.)
282	8120208	Hydraulic Pump
283	8108517	3/8" x 1-1/2" NC HHCS (Ea.)
284	8000542	3/8" Lock Washer
285	8120206	Bell Housing
286	8120246	Coupling LH 7/16" I.D.
287	8120250	Spider - Rubber
288	8120247	Coupling RH 5/8" I.D.
289	8120336	Switch Box Bracket
290	8120280	3/4" Cable Connector
291	8120205	Electric Motor 3 Phase
292	8120278	Patch Cord 3 Phase

ITEM	PART NO.	DESCRIPTION
293	8184482	Electric Switch 3 Phase
294	8184476	Switch Heater (208-230V)
295	8104596	10-24 Screw
296	8120201	Electric Cord 3 Phase
SINGLE PHASE PARTS		
320	8120204	Electric Motor 1 Phase
321	8120279	Patch Cord 1 Phase
322	8120262	Electric Cord 1 Phase
323	8184475	Switch Heater 1 Phase
324	8184481	Electric Switch 1 Phase

# Parts Identification

## Hydraulic Schematic



## Electrical Schematics

### STANDARD USA MODELS

COATS MOTOR P/N	PHASE	VOLTAGE A/C	CPS	HEATER COATS P/N	SQUARE-D	QTY	COATS CODE	SEE NOTE 3
120204	1	208-230	60	8184475	B22.0	1	091	45 AMP
120205	3	208-230	60	8184476	B11.5	3	093	25 AMP
		see note 1						
120205	3	440	60	8184477	B6.25	3	094	15 AMP

NOTE 1 - MOTOR MAYBE SINGLE OR DUAL VOLTAGE

### INTERNATIONAL MODELS

COATS MOTOR P/N	PHASE	VOLTAGE A/C	CPS	HEATER COATS P/N	SQUARE-D	QTY	COATS CODE	SEE NOTE 3
120467	3	575	60	8184478	B4.15	3	093H	10 AMP
120205	3	190	50	8184479	B14.0	3	093D	30 AMP
120205	3	200	50	8184476	B11.5	3	093E	25 AMP
120205	3	380	50	8184480	B6.90	3	093F	15 AMP
120205	3	400-415	50	8184477	B6.25	3	093G	15 AMP
120551	3	220	50	8184476	B11.5	3	093J	25 AMP
120551	3	440	50	8184477	B6.25	3	093K	15 AMP
120552	3	380-440	50	8184480	B6.90	3	093L	15 AMP

NOTE 2 - SPECIAL MOTOR REQUIRES MIN. OF 2 WEEK LEAD TIME

NOTE 3 - SUGGESTED SERVICE LINE SERVICE PROTECTION

