



RC-55 RIM CLAMP® TIRE CHANGER

Reliable. Dependable.
Durable.

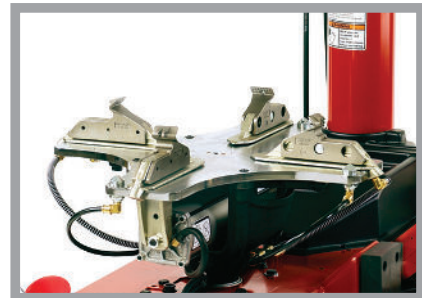


RC Robo-Arm®



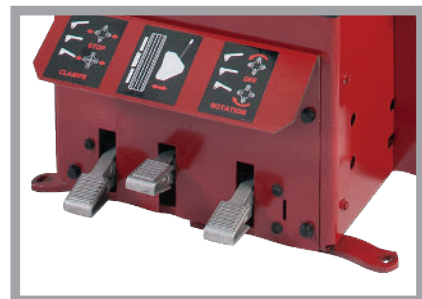
Allows technicians to efficiently change difficult wheel applications, such as low-profile wheels and run-flat tires.

Built-in Bead Sealing Jets



Quickly seals beads while tabletop inflation provides a faster workflow.

Conveniently Placed Foot Pedals



Provides precise control over every step of the changing process. The pedals are ideally placed for fluid technician movements while mounting and demounting tires.

To learn more about the Coats RC-55 tire changer, or any of our other quality products, contact your authorized Coats distributor or call **1-855-876-3864** for the dealer nearest you.

COATS®

CONTACT US NOW

www.coatsgarage.com
or call 1-855-876-3864



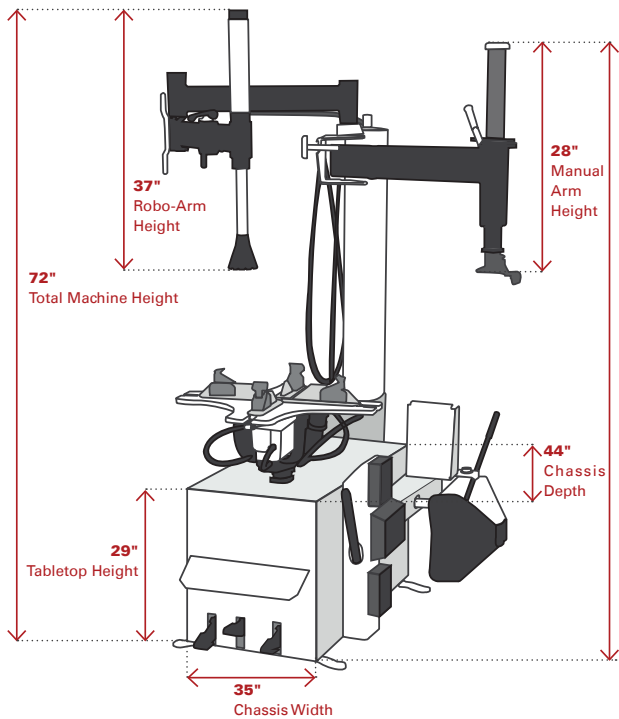
RC-55 RIM CLAMP® TIRE CHANGER

RC-55 RIM CLAMP® TIRE CHANGER

RELIABLE. DURABLE. UP FOR THE TASK.

SPECIFICATIONS	
Wheel Handled	Alloy and Steel for Car and Light Truck
Rim Diameter	6" - 24" External
Maximum Tire Diameter	50" Max
Maximum Rim Width	10.5" Max
Bead Loosening System	Foot Control, Up to 10.5" Wide
Wheel Clamping System	4 Clamps, Air Cylinder Operated
Mount/Demount Mechanism	Swings Away for Better Access and Durability
Helper Devices	RC Robo-Arm®
Bead Seating Air Volume	3.4 Gallons in Tower
Inflation Gauge	0 - 60 psi
Air Supply Gauge	0 - 300 psi
Air Drive System	1.5 HP Air Motor, 110 - 175 psi, 15 scfm (Air Model Only)
Electric Drive System	1 HP Electric Motor, 115 V, 60 Hz, 15amp (Electric Model Only)
Footprint	35" w x 44" d x 72" h
Ship Weight	620 lbs.
Warranty	1 Year Parts, 6 Months Labor
Part Number	Air Model: 85609950 Electric Model: 85609950 01

EQUIPMENT FOOTPRINT



ACCESSORIES		* Included With Purchase
Part Number	Description	
*8182961	Duckhead® Mount/Demount Tool Inserts - 2	
8183606	Bead Loosener Shoe Socks - 2	
85009048	Paste Lube Bracket & Brush	
8183710	Paste Lube	
85607787	Grip-Max® Plus Clamps - 4	
8560716108	Grip-Max® Plus Grips - 8	
8184432	Grey High Spoke Duckhead® Mount/Demount Tool	
85608959	Hybrid Duckhead® Mount/Demount Tool	
85000783	Lift Tool Socks - 10	
85610105	Premium Storage Cabinet	
8183061	Plastic Duckhead® Mount/Demount Tool	
85609077	Manual Bead Depressor Kit	
8183604	Steel Clamp Booties	

RECOMMENDED OPTIONAL ACCESSORIES



EL-X Express Lane®
Inflation System
(PN 85607770)



Nylon Duckhead®
Mount/Demount Tool
(PN 8183061)



Point-of-Use Lift System
(PN 85608609)



Manual Drop
Center Tool
(PN 8435685)



Auxiliary Bead Sealer (ABS)
(PN 85606545)



Paste Lube Bucket
(PN 8183710)

