

# TIRE DEALERS

# Maximize Uptime With The Industry's Most Durable Products

## 80X RIM CLAMP® TIRE CHANGER

Built on the Best  
Platform in the Business

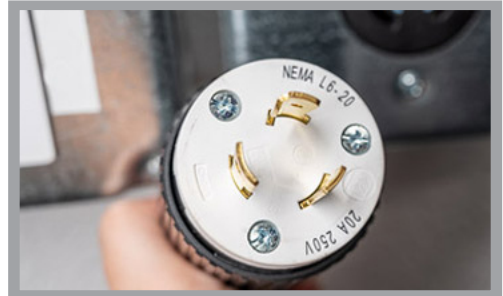


### Patented Robo-Arm® Helper Device



Device assists in efficiently changing low profile or run flat tires.

### 220V, 2 HORSEPOWER ELECTRIC MOTOR



Rugged 220V, 2 horsepower motor for the tough work that you need to get done.

### RoboRoller™ Powered Assist



The RoboRoller™ provides additional power when mounting difficult tire assemblies by preventing the bead from rolling back over the mount tool.

80X RIM CLAMP® TIRE CHANGER

To learn more about Coats products, contact your authorized Coats distributor for the dealer nearest you.

# COATS®

## CONTACT US NOW

[www.coatsgarage.com](http://www.coatsgarage.com)  
or call 1-855-876-3864



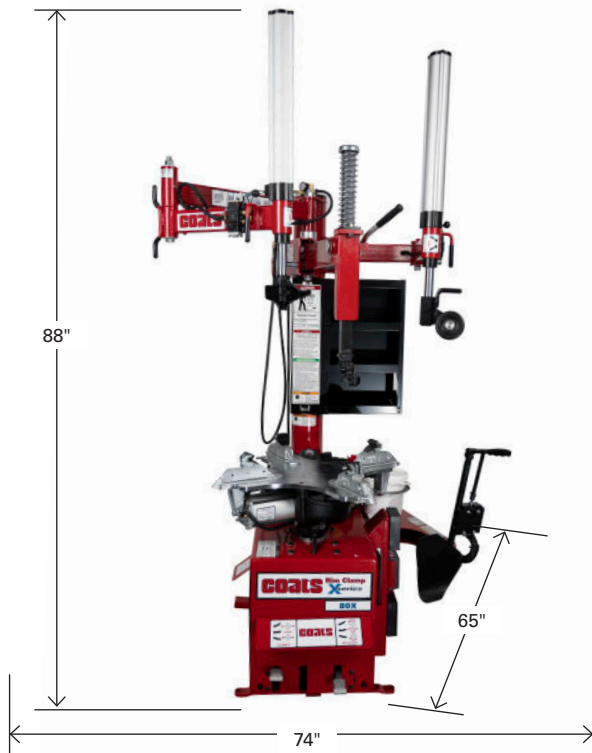
# 80X RIM CLAMP® TIRE CHANGER

## BUILT FOR HIGH-VOLUME SHOPS

### SPECIFICATIONS

Wheel Handled	Alloy and Steel for Car and Light Truck
Rim Diameter	6" - 24" External
Maximum Tire Diameter	50" Max
Maximum Rim Width	14" Max
Bead Loosening System	Hand Control, Up to 14" Wide
Wheel Clamping System	4 Clamps, Air Cylinder Operated
Mount/Demount Mechanism	Swings Away for Better Access and Durability
Helper Devices	Robo-Arm® (18" of Automated Vertical Stroke) RoboRoller™
Bead Seating Air Volume	5.4 Gallons in Tower
Inflation Gauge	0 - 60 psi
Air Supply Gauge	0 - 300 psi
Air Drive System	1.5 HP Air Motor, 110 - 175 psi, 15 scfm (Air Model Only)
Electric Drive System	2 HP Electric Motor, 220 V, 60 Hz, 14amp (Electric Model Only)
Footprint	49"w x 48"d x 85"h
Ship Weight	700 lbs.
Warranty	3 Year Parts, 6 Months Labor
Part Number	Air Model: 80080XAH3 Electric Model: 80080XE220

### EQUIPMENT FOOTPRINT



### ACCESSORIES

Included With Purchase

Part Number	Description
8183606	Bead Loosener Shoe Socks - 2
85009048	Paste Lube Bracket & Brush
8184432	Grey High Spoke Duckhead® Mount/Demount Tool
8182961	Duckhead® Mount/Demount Tool Inserts - 2
85611029	GripMax 2.0 Clamps - 4
8184126EX	Steel Clamps
85000783	Lift Tool Socks - 10
85610105	Premium Storage Cabinet

### RECOMMENDED OPTIONAL ACCESSORIES



EL-X Express Lane®  
Inflation System  
(PN 85607770)



Grip-Max® Plus  
28" Clamps  
(PN 85607986)



Point-of-Use Lift System  
(PN 85608609)



Manual Drop  
Center Tool  
(PN 8435685)



Auxiliary Bead Sealer (ABS)  
(PN 85606545)



Paste Lube Bucket  
(PN 8183710)

# COATS®

[www.coatsgarage.com](http://www.coatsgarage.com)

MKT00182 Spec 08/20 Rev.03  
© 2018 Hennessy Industries LLC

1601 J.P. Hennessy Drive, LaVergne, TN 37086 615-641-7533

Hennessy Canada: 2430 Lucknow Drive, Unit 9, Mississauga, Ontario L5S 1V3 905-672-9440