

# TIRE DEALERS

# Maximize Uptime With The Industry's Most Durable Products

## 60X RIM CLAMP® TIRE CHANGER

Advanced Features and  
a Best-in-Class External  
Clamping Range



### Patented Robo-Arm® Helper Device



Device assists in efficiently changing low profile or run flat tires.

### Hand-Actuated Bead Loosener



The Bead Loosener offers point of use controls to the technician, providing direct line of site, reducing the risk of wheel damage.

### Single Point Sealer



This feature concentrates air flow to seal the beads more efficiently and eliminates excessive maintenance.

To learn more about the Coats 60X tire changer, or any of our other quality products, contact your authorized Coats distributor or call **1-855-876-3864** for the dealer nearest you.

# COATS®

## CONTACT US NOW

[www.coatsgarage.com](http://www.coatsgarage.com)  
or call 1-855-876-3864



60X RIM CLAMP® TIRE CHANGER

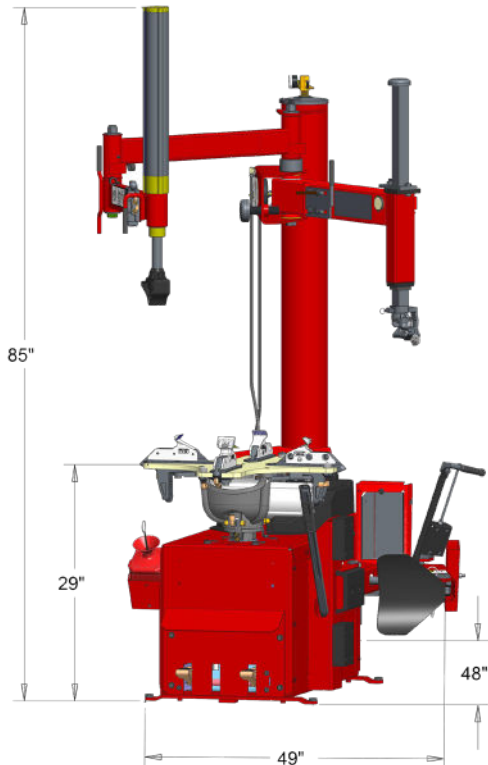
# 60X RIM CLAMP® TIRE CHANGER

## BUILT FOR HIGH-VOLUME SHOPS

### SPECIFICATIONS

Wheel Handled	Alloy and Steel for Car and Light Truck
Rim Diameter	6" - 24" External
Maximum Tire Diameter	50" Max
Maximum Rim Width	14" Max
Bead Loosening System	Hand Control, Up to 14" Wide
Wheel Clamping System	4 Clamps, Air Cylinder Operated
Mount/Demount Mechanism	Swings Away for Better Access and Durability
Helper Devices	Robo-Arm® (18" of Automated Vertical Stroke)
Bead Seating Air Volume	5.4 Gallons in Tower
Inflation Gauge	0 - 60 psi
Air Supply Gauge	0 - 300 psi
Air Drive System	1.5 HP Air Motor, 110 - 175 psi, 15 scfm (Air Model Only)
Electric Drive System	1 HP Electric Motor, 115 V, 60 Hz, 15amp (Electric Model Only)
Footprint	49"w x 48"d x 85"h
Ship Weight	700 lbs.
Warranty	3 Year Parts, 6 Months Labor
Part Number	Air Model: 80060XAH1 Electric Model: 80060XEH1

### EQUIPMENT FOOTPRINT



### ACCESSORIES

\* Included With Purchase

Part Number	Description
*8183061	Plastic Duckhead® Mount/Demount Tool
*8182961	Duckhead® Mount/Demount Tool Inserts - 2
8183606	Bead Loosener Shoe Socks - 2
85009048	Paste Lube Bracket & Brush
8183710	Paste Lube
85607787	Grip-Max® Plus Clamps - 4
8560716108	Grip-Max® Plus Grips - 8
8184432	Grey High Spoke Duckhead® Mount/Demount Tool
85608959	Hybrid Duckhead® Mount/Demount Tool
85000783	Lift Tool Socks - 10

### RECOMMENDED OPTIONAL ACCESSORIES



ELX Express Lane®  
Inflation System  
(PN 85607770)



Grip-Max® Plus  
28" Clamps  
(PN 85607986)



Point-of-Use Lift System  
(PN 85608609)



Manual Drop  
Center Tool  
(PN 8435685)



Auxiliary Bead Sealer (ABS)  
(PN 85606545)



Paste Lube Bucket  
(PN 8183710)

# COATS®