

# COATS®

## Wheel Balancer Models 1300 2D, 1400 2D, 1500 3D & 1600 3D



Model 1300



Model 1400



Model 1500



Model 1600

### *Parts Identification*

READ these instructions before placing unit in service. KEEP these and other materials delivered with the unit in a binder near the machine for ease of reference by supervisors and operators.

**HENNESSY**  
**INDUSTRIES**

1601 J. P. Hennessy Drive, LaVergne, TN USA 37086 615/641-7533 800/688/6359 www.coatsgarage.com  
HENNESSY INDUSTRIES INC. Manufacturer of AMMCO®, COATS® and BADA® Automotive Service Equipment and Tools.

Manual Part No.: 85610676 03  
Revision: 03/17

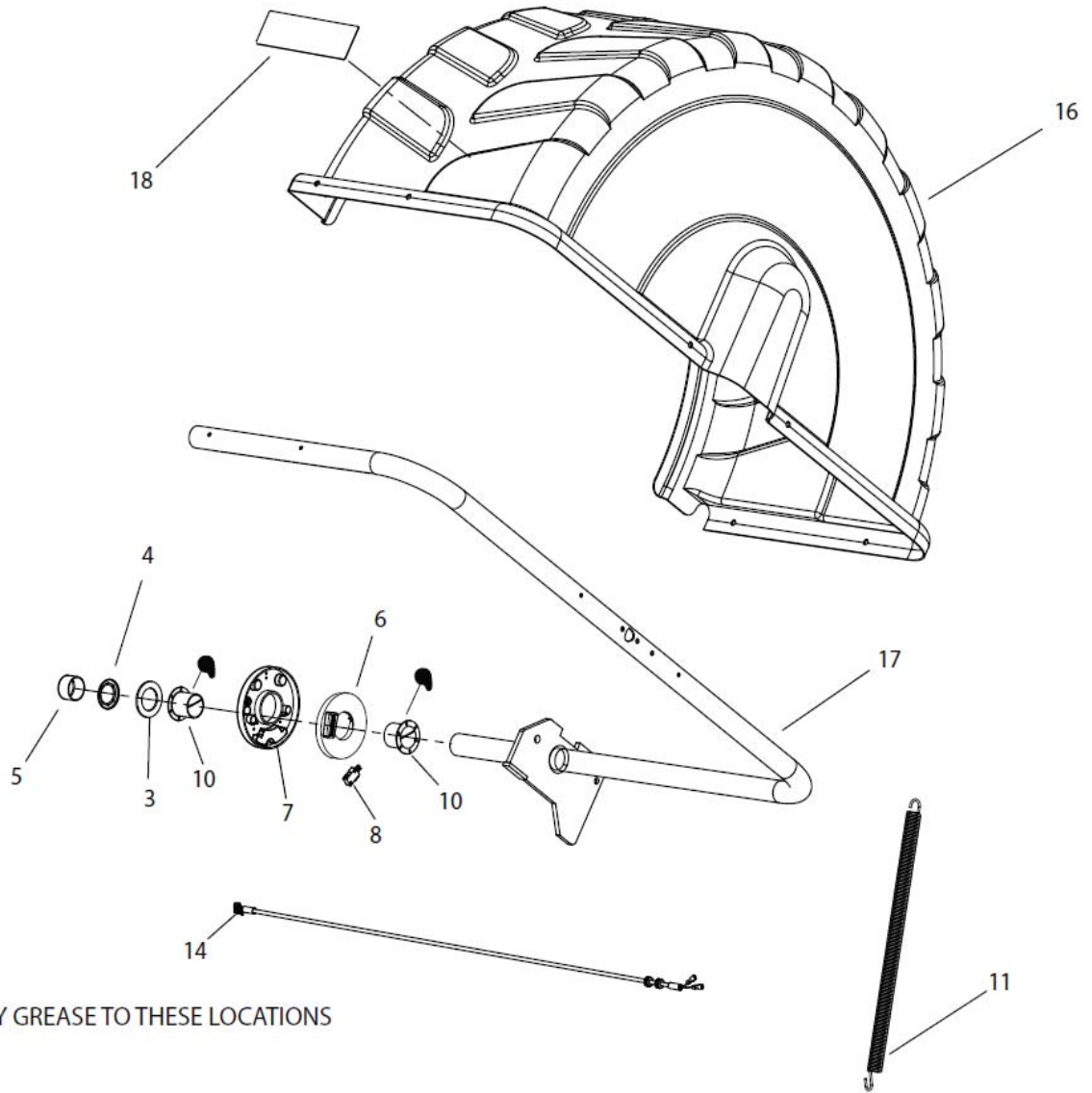
# Parts Identification

The following pages include parts breakdowns with exploded view illustrations to help with ordering replacement or spare kits. Assemblies are noted where it is recommended that individual parts not be ordered separately. Note that the parts view illustrations are for multiple models and not all parts shown are on all models. Every effort is made to supply accurate exploded views, however, due to interim changes in manufacturing operations, some units may not be exactly as illustrated.

## Table of Contents

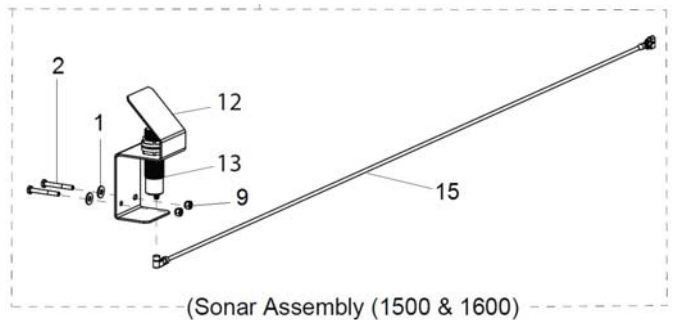
<b>Wheel Guard Assembly.....</b>	<b>3</b>
<b>Chassis Assembly .....</b>	<b>4</b>
<b>Distance Gauge Assembly .....</b>	<b>5</b>
<b>Motor Assembly .....</b>	<b>6 - 7</b>
<b>1300/1400/1500/1600 Monitor Assemblies .....</b>	<b>8 - 9</b>
<b>1300/1400 Non-Inverter Model .....</b>	<b>10 - 11</b>
<b>1500/1600 Inverter Models.....</b>	<b>12 - 13</b>
<b>Label Locations.....</b>	<b>14</b>

# Wheel Gaurd Assembly



APPLY GREASE TO THESE LOCATIONS

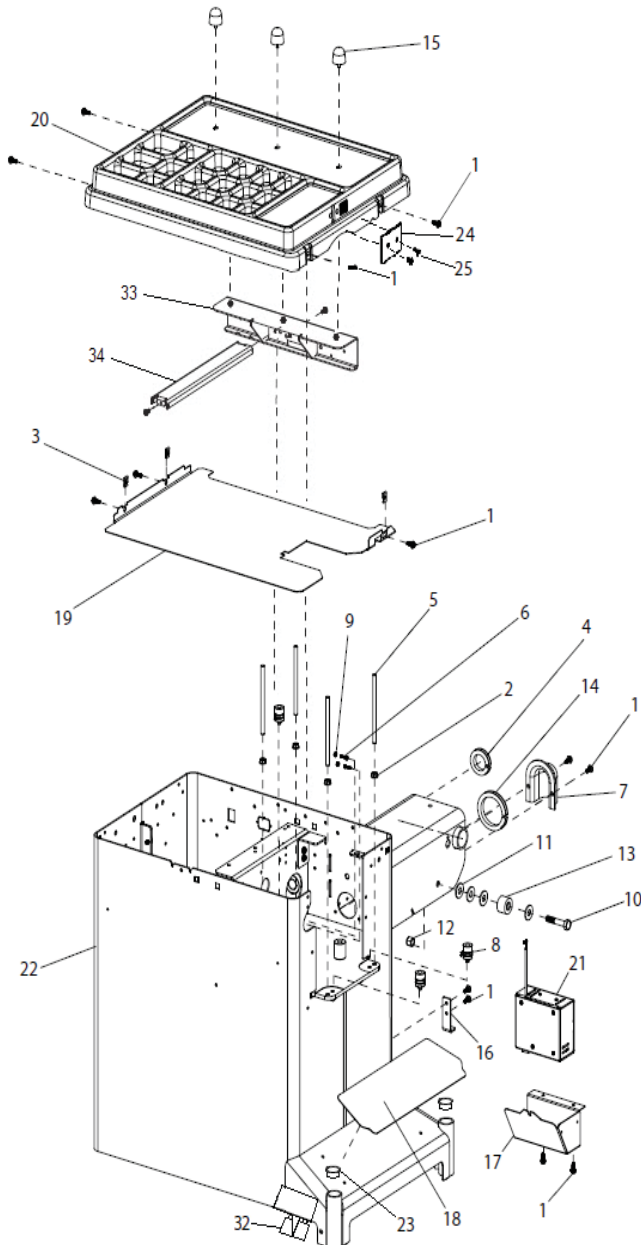
Item	Part No.	Description
1	8000745	1/4 Flat Washer
2	8109802	Screw, HHCS, 1/4-20 X 2.00
3	8109944	Washer - Hood Bar
4	8109945	Retainer - Washer 1 1/2"
5	8109949	Cap - Hood Bar
6	8113332	Cam/Cover Hood Switch
7	8113333	Housing-Hood Switch
8	8113334	Switch-Micro, Limit
9	8181369	1/4-20 UNC Screw
10	8307014	Bearing - Flanged, Nylon
11	8308062	Spring - Hood, Extension
12	85000303	Bracket - Sonar
13	85000304	Sonar Module
14	85609820	Assy, Hood Switch Cable
15	85610231	Cable-Sonar, Hood
	85611014	Sonar Harness (1600 only - if pedal equipped)
16	85610517	Hood-Wheel
17	8114319	Weldment - Bar, Hood
18	85610679	Decal - Warning



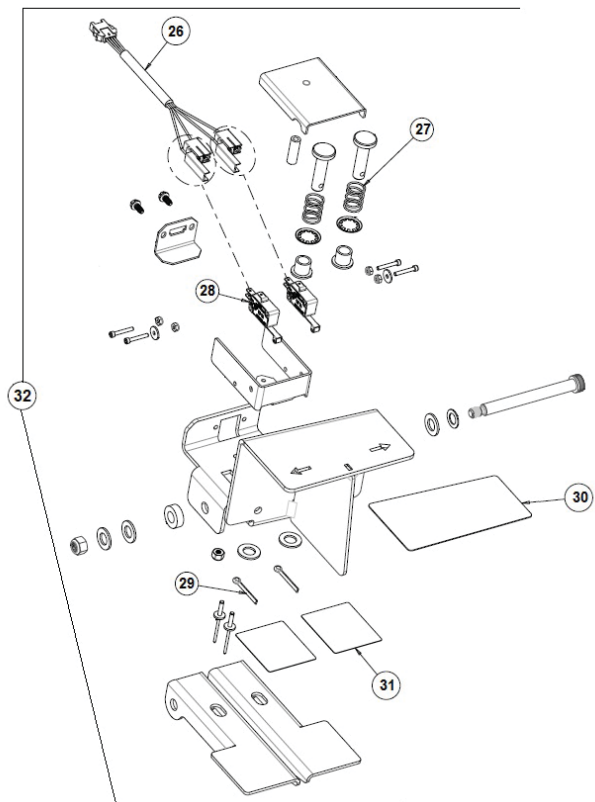
# Chassis Assembly

Item	Part No.	Description
1	8106301	Screw-1/4-20 X .75
2	8106303	Nut - 3/8 - 16 UNC
3	8106304	Fastener - Skin, Tinnerman
4	85610661	Grommet-Inverter Port
5	8108727	Rod - Threaded
6	8110560	Screw - 8-32 UNC X .75" Lg.
7	8111029	Cover - Rear Harness
8	8114266	Assembly - Piezo
9	8301084	Nut, #8-32 Kep
10	8301120	Screw - HHCS
11	8301121	Washer, Plain .562idx1.375odx.109
12	8301112	1/2-13 Hex Nylock Nut
13	8309008	Molding - Stop, Hood
14	85606581	Grommet - Flex
15	85608850	Stud-Weight Tray
16	85610698	Bracket - Anti Tilt
17	85610571	Cover-Computer, Monitor

Item	Part No.	Description
18	85610578	Pad, Anti-Skid
19	85610583	Shield - Weight Tray
20	85610587	Assy-Tray, Laser Shield (Includes 85610588 & 85610274)
21	85610592	Assy-Display Computer
22	85610596	WLDMNT - Chassis, Split, Skirted
23	85610733	Cap - Plug
24	85610962	Black Shield (1300 & 1400)
	85610588	Laser Shield (1500 & 1600)
25	85610274	Plastic Rivet
26	85611020	Pedal Switch Harness
27	929195	Compression Spring
28	85609746	Foot Pedal Switch
29	8102278	Cotter Pin
30	85611015	Pedal Ops Decal
31	85611013	Pedal Grip Pad
32	85611000	Pedal Assembly
33	85610586	Tray Support Bracket
34	85610584	Tray Stringer

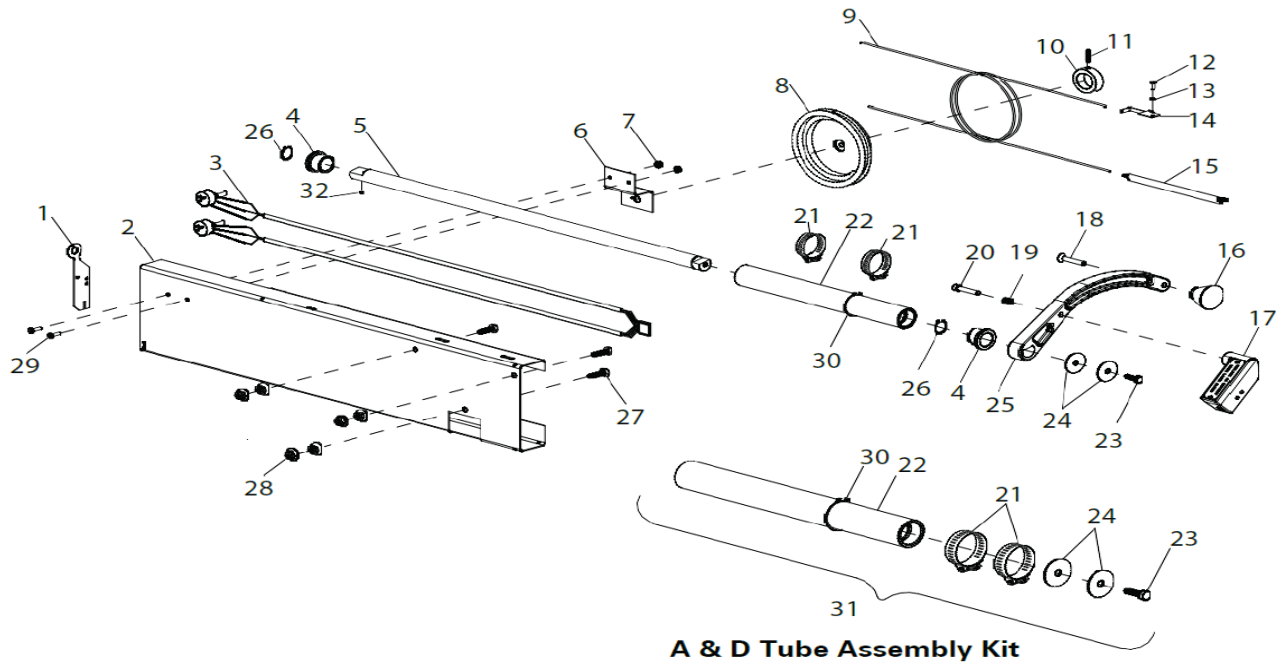


Pedal Assembly (1600 Only - if equipped)

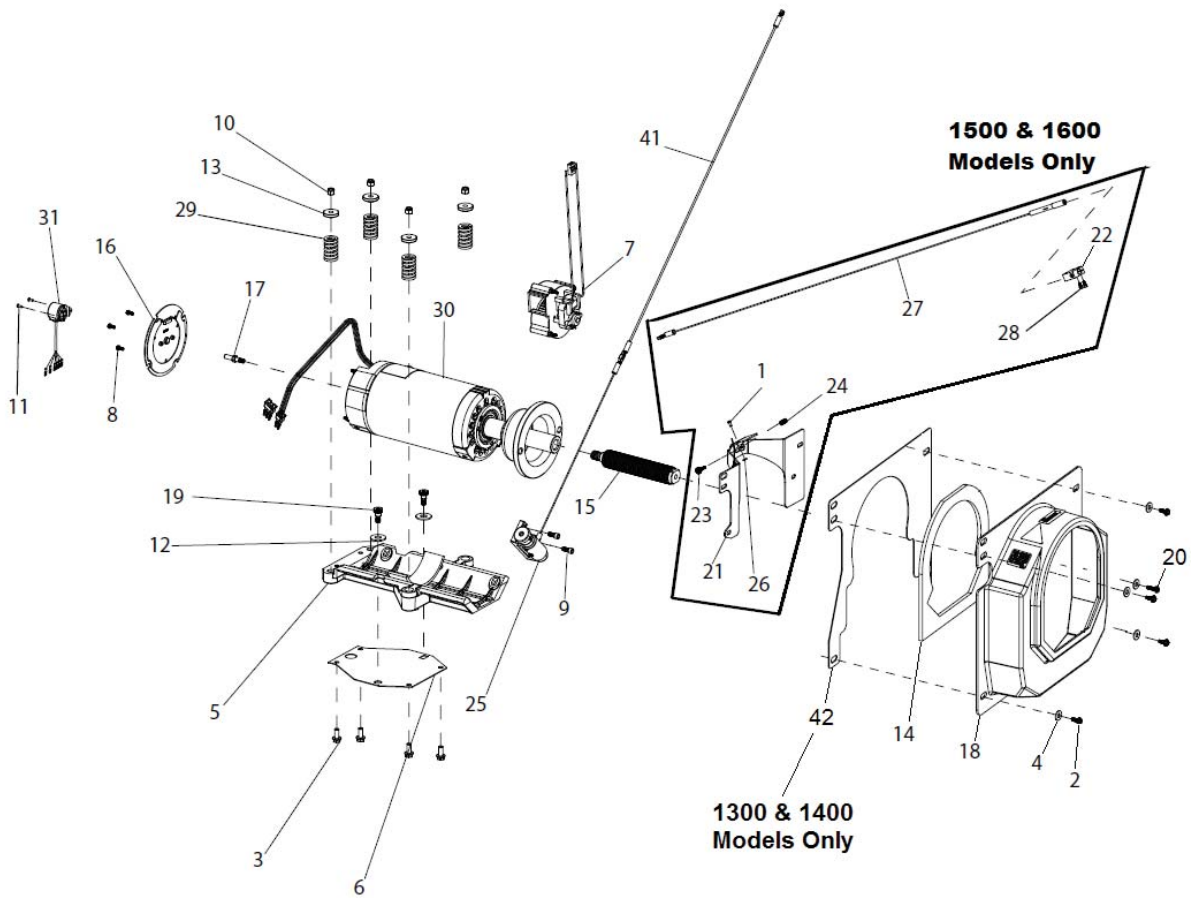


## Distance Gauge Assembly

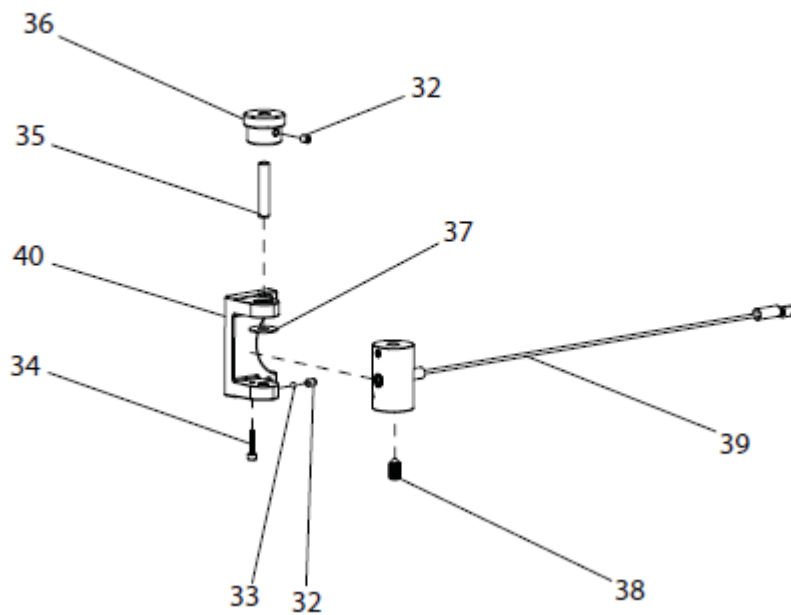
Item	Part No.	Description	Item	Part No.	Description
1	8114254	A & D Pendulum	18	8111173	1/4-20 x 1-1/2 FHS Screw
2	8114251	A & D Bracket	19	8114380	Compression Spring
3	85609866	A & D Pots with Harness Assy	20	8114379	SHC 1/4-20 x 1-1/4 lg. Screw
4	85000730	Distance Rod Bushing	21	8114264	Hose Clamp
5	80180018	A & D Rod	22	8114255	A & D Tube
6	8114258	A & D Pot Bracket	23	85000731	Hex HD Cap Screw
7	8301084	#8-32 Kep Nut	24	8111032	1/4 Fender Washer
8	80180017	Distance Pot Pulley	25	8114373	Arm
9	80180022	String	26	903174	Retaining Ring
10	8114403	Pulley Collar	27	8301534	1/4-20 x 7/8 HHC Screw
11	8114404	10-24 x 3/4 SHSS Screw	28	8143169	1/4-20 Whiz Lock Hex Nut
12	80180020	Spring Bracket, 3MM Screw	29	8111542	#8-32 X 5/8" SEM Screw
13	80180021	Washer 3MM	30	8100964	1 1/4-inch Retaining Ring
14	80180019	String Bracket	31	85000732	A&D Arm Tube Assembly Kit
15	80180023	Spring	32	85609880	M6 x 12mm SHSSCP Screw
16	8114253	Cone			
17	85009229	Line Laser			



## Motor Assembly



## Rotary Laser Assembly

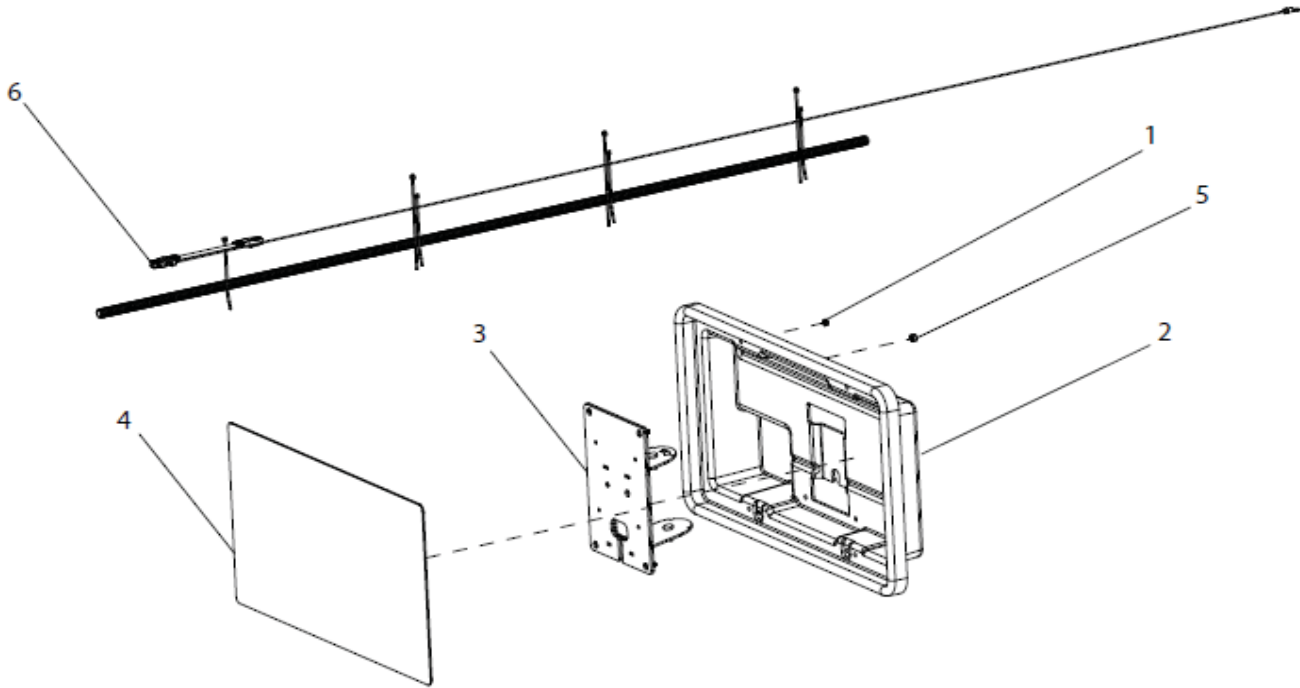




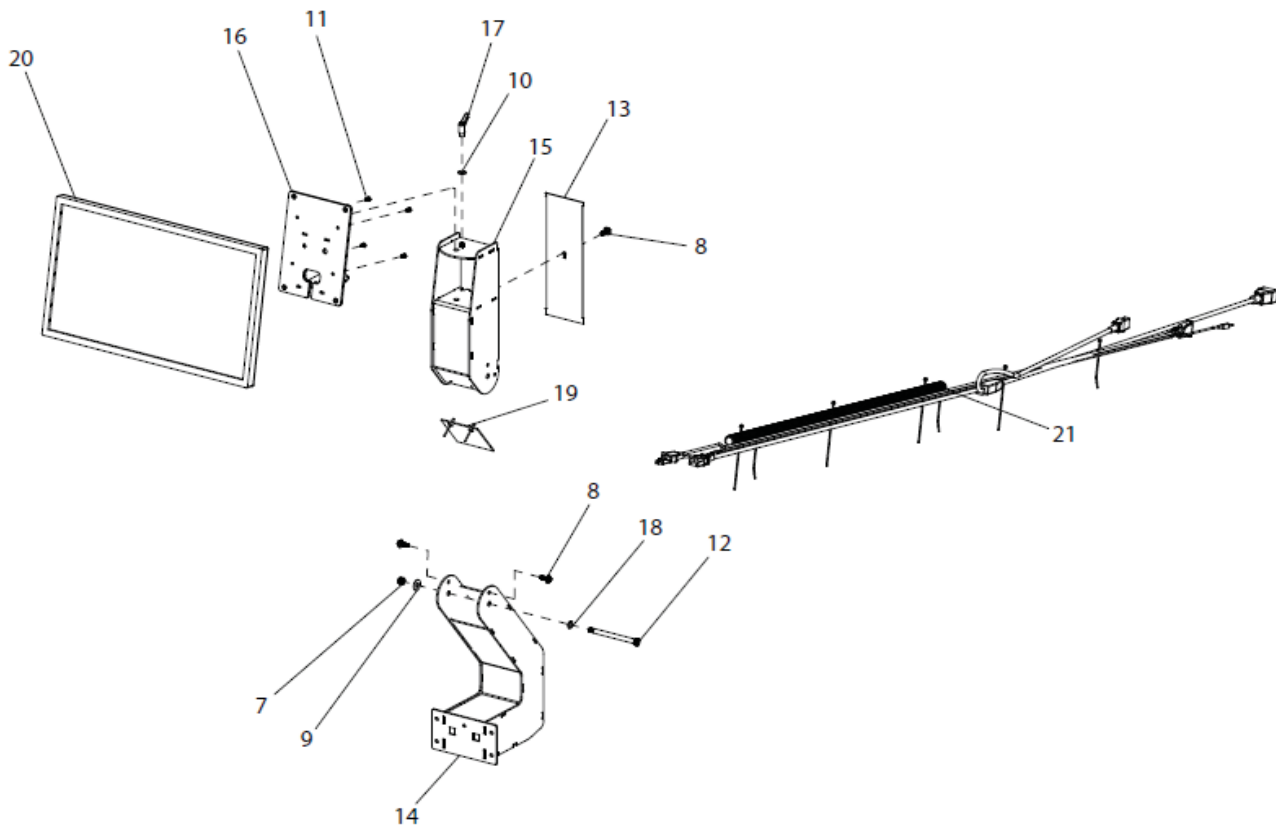
## Motor Assembly

Item	Part No.	Description
1	920615	8-32 X .375 BHCS
2	8106301	Screw-1/4-20 X .75
3	8106302	Screw - HSWF, 3/8-16 X 7/8
4	8107635	Washer-Flat, 5/16
5	8110430	Ass'y. - Cradle
6	8112182	Flex - Plate
7	8114265	Assembly - Fan
8	8144110	Screw - Hex Washer Head
9	8182149	Screw - SHC 5/16-18 X 3/4
10	8301035	Nut-3/8-16 Hex Nyloc
11	8301067	Screw - #6-32 PHIL
12	8301121	Washer, Plain .562 ID
13	8308036	Retainer - Piezo Spring
14	8308536	Motor Gasket
15	85009204	Shaft-Extension, 40MM
16	85009970	Cover - Rear End Bell (1500 & 1600)
	8308513	Cover - Rear End Bell (1400)
17	85009971	Shaft - Encoder Drive
18	85610748	Shroud-Motor, Assy
19	85609427	Bolt-SHSS, 1/2 X 3/8-16
20	85609826	Screw-HWHMS, 1/4-20
21	85610269	Bracket-Inboard Laser Posn
22	85610271	Mount Block-12mm Dia Laser
23	85610273	Screw-Thumb, #8-32 X 7/8
24	85610275	Spring,.360 X 3/4"
25	85610280	Laser Assy-Rotary, Jst
26	85610282	Washer, #8, Hard Fiber
27	85610536	Assy-Cable, Line, Laser
28	85610579	Screw-#8-32X3/8 SHCS
29	85610682	Spring - Piezo, Precision
30	85010010	Motor Replacement Kit (40mm)
31	85610094	Encoder (1500 & 1600)
	8110923	Encoder (1400)
	8308817	Rotary Shutter (1400)
32	902308	Set Screw
33	906407	Ball-Nyln, .187
34	928367	Screw, SHCS 10-24 UNC
35	8114237	Dowel 3/8 X 2" LG.
36	8114241	Knob
37	8114242	Plastic Washer
38	85610252	Screw-Set, Cn Pt,3/816,.75" LG
39	85610268	Cylinder Assy-Laser, Rotary
40	85610399	Bracket-Assy, W/Brg
41	85610265	Cable Assy - 36", JST
42	85609063	Motor Cover Shield (1300 & 1400)

## 1300/1400/1500 Monitor Assembly



## 1600 Monitor Assembly





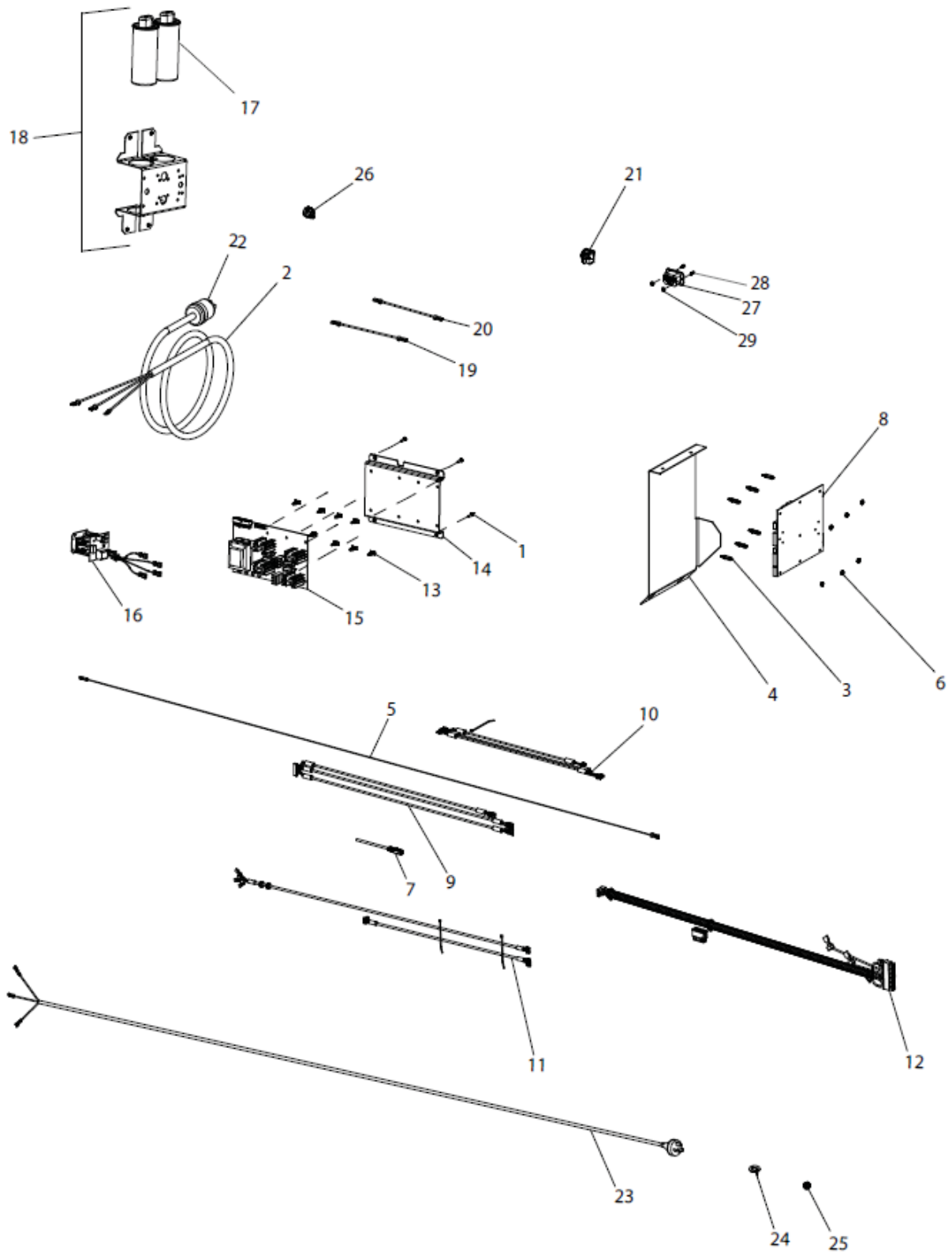
## **1300/1400/1500 Monitor Assembly**

<b>Item</b>	<b>Part No.</b>	<b>Description</b>
1	8111055	Nut - Lock, W/Nylon Collar, #6-32
2	85610516	POD - Electronics
3	85610602	Wldmnt-Display Mount, Pvt Brkt
4	85610931	Assy-Panel, Tactile Touch (1300)
	85610664	Assy-Panel, Tactile Touch (1400)
	85610624	Assy-Panel, Tactile Touch (1500)
5	85610628	Nut-Lock, #8-32, Nylon Insert
6	85610928	Assy-Cable, Tactile Panel (1300)
	85610629	Assy-Cable, Tactile Panel (1400/1500)

## **1600 Monitor Assembly**

<b>Item</b>	<b>Part No.</b>	<b>Description</b>
7	8000525	Nut-Hex, LK, 5/16-18
8	8106301	Screw-1/4-20 X .75
9	8000745	Washer-Flat, 1/4"
10	8113921	Washer - Flat 1/4"
11	85607866	Screw-M4-07X10MM, Slotted Pan
12	85610288	Screw-Shoulder, 3/8 x 4
13	85610556	Plate-Pivot Backing
14	85610599	WLDMNT-Display Mount, Lower
15	85610601	WLDMNT-Display Mount, Upper
16	85610602	WLDMNT-Display Mount, Pvt Brkt
17	85610604	HANDLE-Display Mount, Locking
18	85610606	Washer-Fiber, 3/8" ID
19	85610607	Cover-Mat, 1/16" Rubber
20	85610608	Display-Viewsonic, 22" Touch
21	85610611	Cable-Asm, Display, Opt. Touch

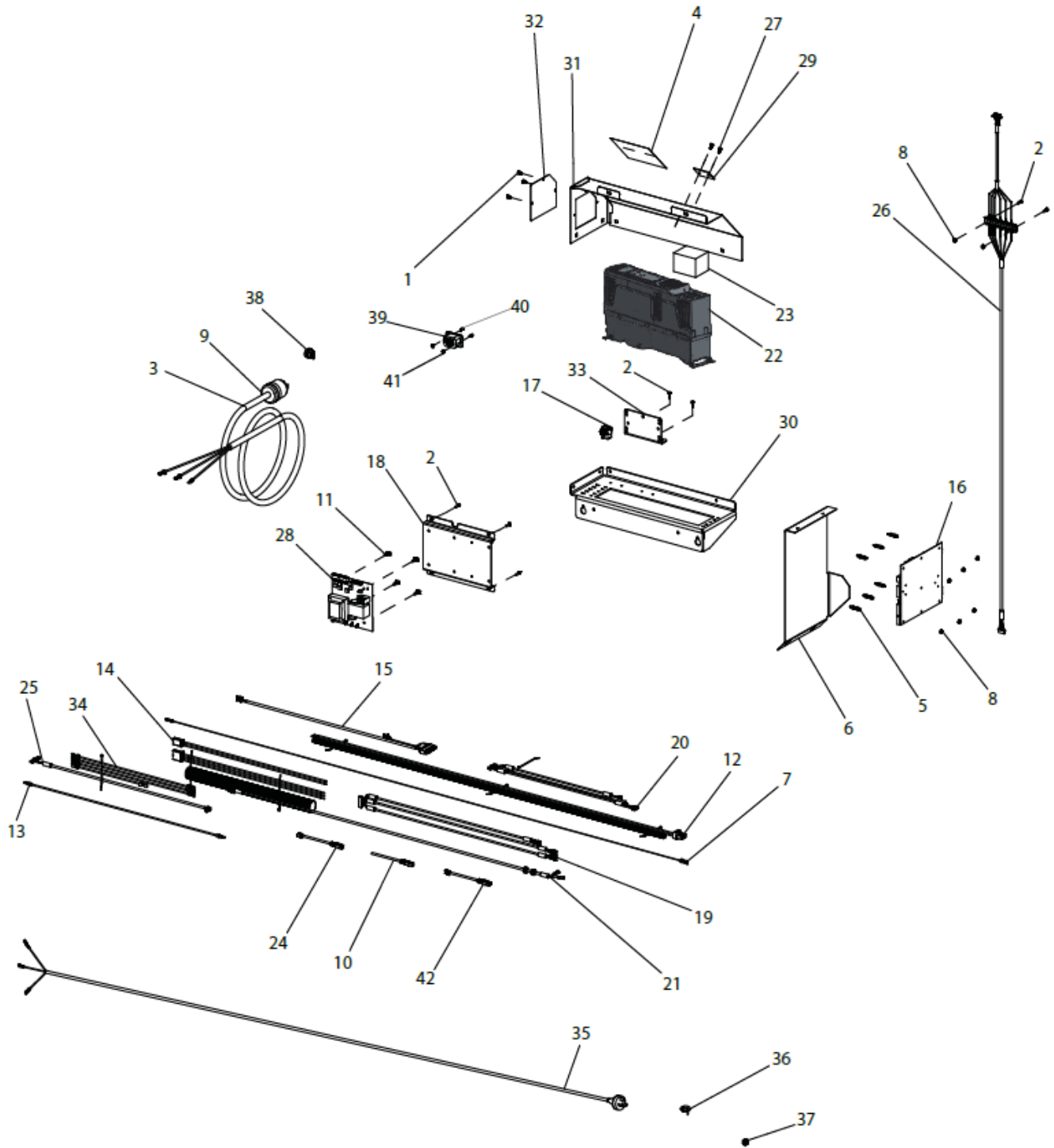
# 1300/1400 Non-Inverter Model



## 1300/1400 Non-Inverter Model

Item	Part No.	Description
1	8111542	Screw - 8-32 X 5/8 LG. Php Sem
2	8113101	Cord – Power
	8143127	Cord-Power 3 PH
3	8113996	Standoff - 8-32X3/4
4	8114184	Cover
5	8114212	Assembly, Drain Wire
6	8301084	Nut, #8-32 KEP
7	81142111	Cable - Cat 5, 7' LG.
8	85609809	PCB – Processor
9	85609815	Assembly - Piezo Harness
10	85609818	Assembly, MCB Cable
11	85609868	Harness-Assy
12	85608188	Harness-Swtch,Hd,Assy
13	85000361	Standoff-Lck, Snp
14	85609308	Bracket-Mcb,Assy
15	85610543	Board-Asm,MCB,JST,440V,2D
16	85000705	Motor Module Assembly, 1 PH
	85000704	Motor Module Assembly, 3 PH
17	8112356	Capacitor
18	8111860	Capacity Panel Assembly
19	8309057	Wire-14AWG,RED,6",Assy
20	8309005	Wire-14AWG,BLCK,6",Assy
21	85609122	Switch-RCKR,DPST
22	8305076	220V, 1 PH Plug
	8140786	220V, 3 PH Plug
23	929507	Cord-Power, (Aust. Only)
24	929642	Adapter-Knckt, Heyco (Aust. Only)
25	929643	Relief-Strain,SR-6W-1 (Aust. Only)
26	906058	Relief-Strain,120V,SR-81-1
27	85609290	Outlet, Panel Mount
28	85610253	Screw, OHPMS, 6-32 x ½
29	8111055	Nut - Hex, locking, 6-32 Insert

# 1500/1600 Inverter Models



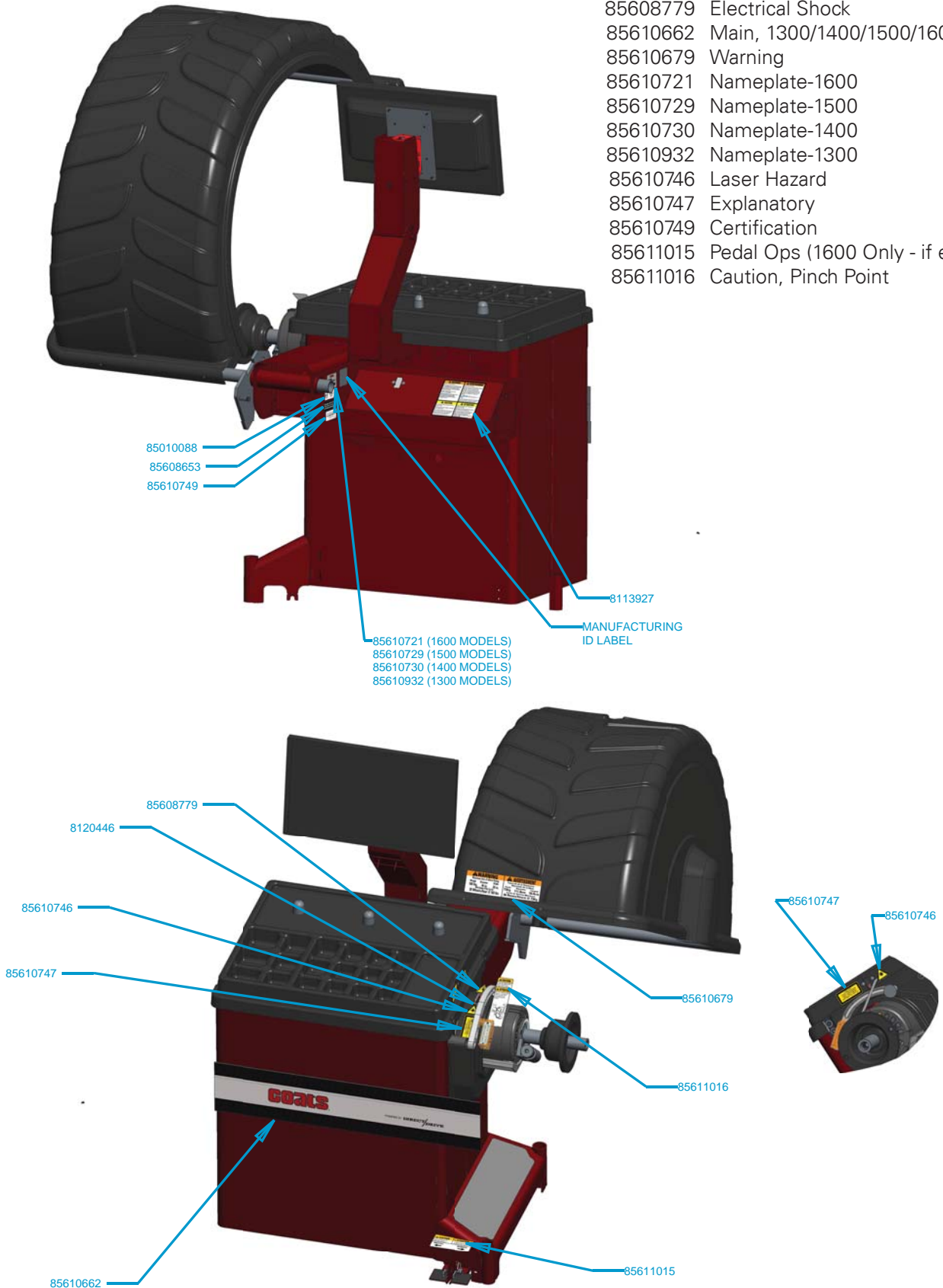
## 1500/1600 Inverter Models

Item	Part No.	Description
1	925019	Screw - Hex Hd. Self Tapping
2	8111542	Screw - 8-32 X 5/8 LG. Php Sem
3	8113101	Cord - Power 1 PH
	8143127	Cord - Power 3 PH
4	8113927	Decal-Caution/Warning
5	8113996	Standoff - 8-32X3/4
6	8114184	Cover
7	8114212	Assembly, Drain Wire
8	8301084	Nut, #8-32 Kep
9	8305076	Plug-Twist Lock,250V,20AMP,1PH
	8140786	Plug-Twist Lock,220V,20AMP,3PH
10	81142111	Cable - CAT 5, 7' LG.
11	85000361	Standoff- Snap-Lock
12	85010022	Assy - Wire Harness, Motor
13	85010024	Assy - Wire, Ground X 26' LG.
14	85600284	Harness - Inverter / Motor
15	85608188	Harness-Fan 220V,Assy
16	85609808	PCB - Processor (1500)
	85608629	PCB - Processor (1600)
17	85609122	Switch-DPST, Rocker
18	85609308	Bracket-MCB Assy
19	85609815	Assembly - Piezo Harness
20	85609818	Assembly, MCB Cable
21	85609820	Assy, Hood Switch Cable
22	85609942	Inverter-Emerson 701, 3HP
23	85610071	Damper, Vibration, Inverter
24	85610107	Cable-RJ45 - RJ12 Assy
25	85610232	Cable, Sonar Chassis
26	85610237	Cable-Emrsn,W/Trmnl,Assy
27	85610274	Rivet-Plastic, A3/16"
28	85610527	Board-Supply,Power,Inverter
29	85610588	Shield-Acrylic, IB Laser
30	85610644	Bracket-Inverter, Reverse
31	85610645	Weldment-Cover, WND
32	85610647	Panel-Access, Inv Cover
33	85610649	Bracket-Terminal Strip, Side
34	85610672	Harness-Asm,Pwr, 4X 14AWG
35	929507	Cord-Power, (Aust. Only)
36	929642	Adapter-Knckt,Heyco (Aust. Only)
37	929643	Relief-Strain,SR-6W-1 (Aust. Only)
38	929643	Relief-Strain,120V,SR-81-1
39	85609290	Outlet, Panel Mount
40	85610253	Screw, OHPMS, 6-32 x 1/2
41	8111055	Nut - Hex, locking, 6-32 Insert
42	85610727	Ground Wire

## Label Locations

Part Number	Description
-------------	-------------

8113927	Caution /Warning
8120446	Motor Rotation
85010088	MET Lab Compliance
85608653	Patent Notice
85608779	Electrical Shock
85610662	Main, 1300/1400/1500/1600
85610679	Warning
85610721	Nameplate-1600
85610729	Nameplate-1500
85610730	Nameplate-1400
85610932	Nameplate-1300
85610746	Laser Hazard
85610747	Explanatory
85610749	Certification
85611015	Pedal Ops (1600 Only - if equipped)
85611016	Caution, Pinch Point



## Notes



