

COATS®

RC-200EX / RC-150EX Rim Clamp® Tire Changer

For servicing motorcycle and ATV tire/wheel assemblies as well as automotive and most light truck tire/wheel assemblies (holds 6 to 8-inch wheels for manual tire install and removal)



Parts Identification

READ these instructions before placing unit in service. KEEP these and other materials delivered with the unit in a binder near the machine for ease of reference by supervisors and operators.

HENNESSY
INDUSTRIES

1601 J. P. Hennessy Drive, LaVergne, TN USA 37086 615/641-7533 800/688/6359 www.coatsgarage.com
HENNESSY INDUSTRIES INC. Manufacturer of AMMCO®, COATS® and BADA® Automotive Service Equipment and Tools.

Manual Part No.: 8184671 18
Revision: 9/17

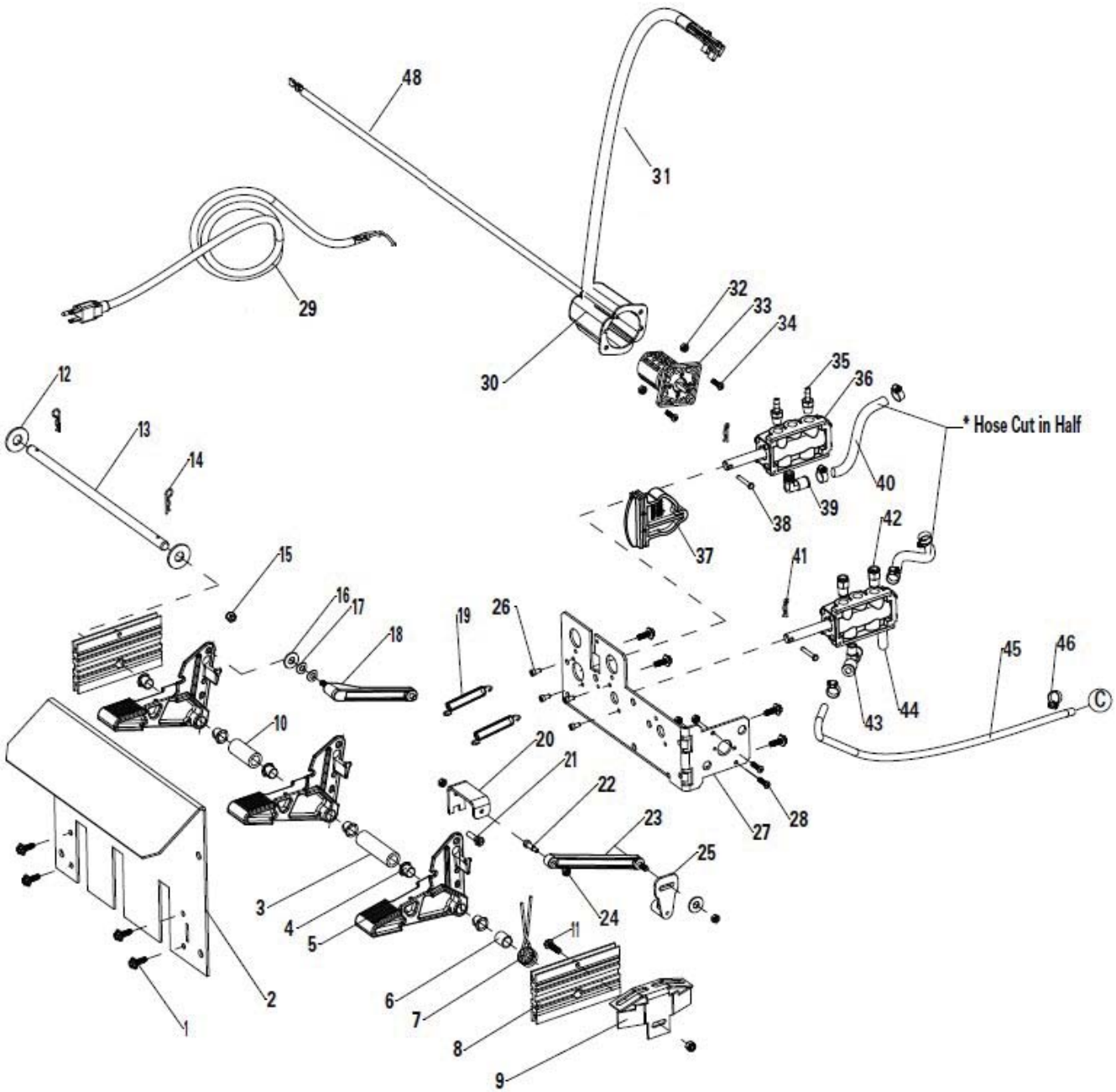
Parts Identification

The following pages include parts breakdowns with exploded view illustrations to help with ordering replacement or spare kits. Assemblies are noted where it is recommended that individual parts not be ordered separately. Note that the parts view illustrations are for multiple models and not all parts shown are on all models. Every effort is made to supply accurate exploded views, however, due to interim changes in manufacturing operations, some units may not be exactly as illustrated.

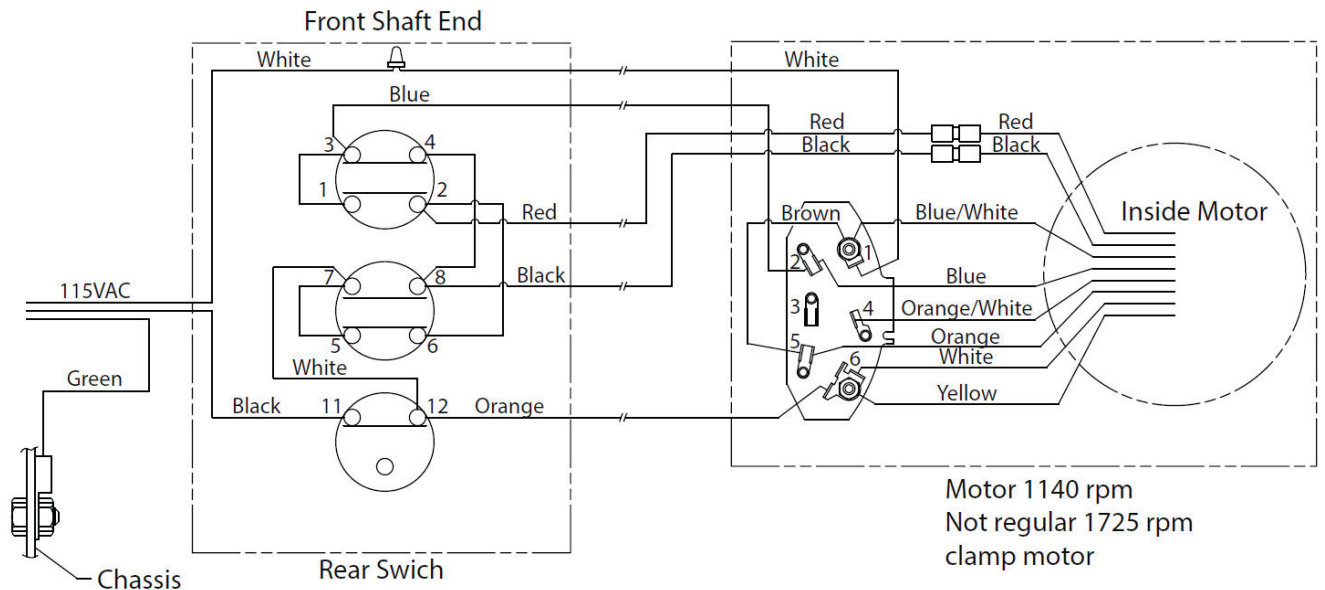
Table of Contents

Parts Identification.....	2
Foot Pedal Assembly	4
Chassis Assembly	6
Bead Loosener Arm & Cylinder Assemblies	7
Table Top Assembly	8
Shaft Housing Assembly	9
Tower & Pressure Assemblies	10
Pressure Limiter & Inflation Bracket Assemblies	12
Swing Arm Assembly	14
Short & Long Arm Assembly (RC200)	15
Robo Arm® Assembly	16
Oil Injector Diagram (if equipped).....	17
Decal Locations	18
Useful Accessories	19

Foot Pedal Assembly

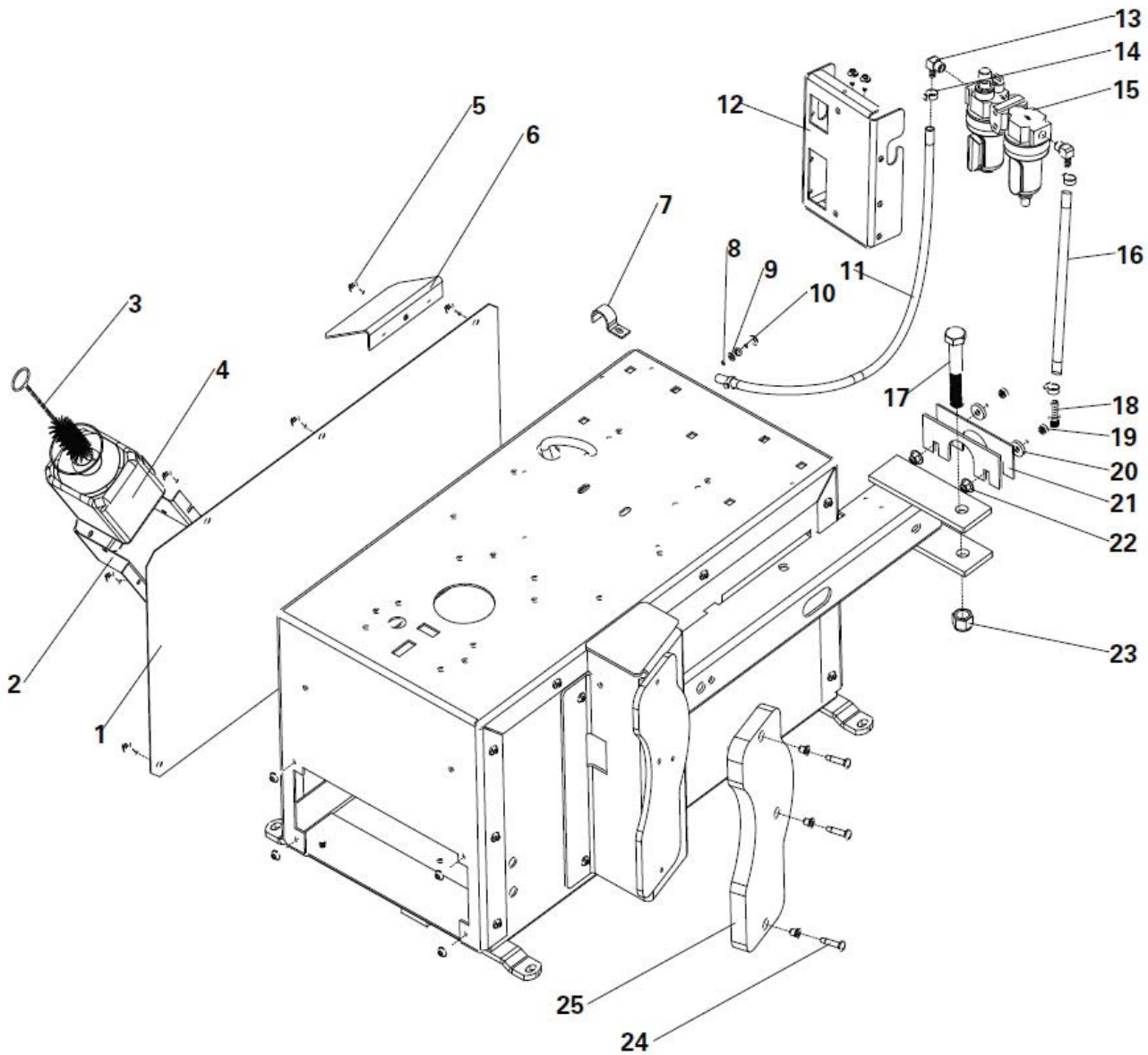


Item	Part No.	Description	Item	Part No.	Description
1	8106301	Hex Washer Head Screw	30	8181959	Rubber Boot Cover
2	8182586	Guard	31	8184562	Motor Cable Assembly
3	8182327	Pedal Spacer	32	8182682	10/24 UNC Centerlock Hex Nut
4	8181948	Nyliner Bearing	33	8182958	Reversing 2HP Switch, Kit
5	8181675	Standard Pedal	34	8181983	10-24 x .75, BHSCS Screw
6	8181872	Spring Sleeve	35	8000378	1/4 NPT Straight Barbed Fitting
7	8181707	Torsion Spring	36	8181986	4-way Valve
8	8181918	Bar Spacer	37	8181695	Mounting Block Cam
9	8182670	Guide Bracket	38	8181977	Clevis Pin
10	8181911	Pedal Spacer	39	8184256	1/4 x 1/4 Male Elbow
11	8104945	1/4 x 1 Self Tapping Bolt	40	8184459	3/8 x 25" Black Rubber Hose
12	8301121	Plain Washer	41	8120469	Hair Pin Clip
13	8183398	Pedal Shaft	42	8101898	3/8 Straight Barb Fitting
14	8111609	Hairpin Cotter	43	8184467	1/4 NPT x 3/8 Male Branch Tee
15	8181369	1/4-20 UNC Nut	44	8182734	1/4 18NPT Brass Muffler
16	8107635	5/16 Std Flat	45	8184457	3/8 x 25" Red Rubber Hose
17	8181981	5/16" Wave Washer	46	8101427	Hose Clamp
18	8181696	Cam Follower Lever	*47	8181587	Circuit Breaker
19	8181708	Extension Spring	48	85610403	Breaker - Switch Cable
20	8182363	Elec. Switch Ext. Bracket			
21	8181984	1/4-20 x 1.00 HHCS			(* not shown)
22	8182743	Shoulder Screw			
23	8181699	Switch Lever			
24	8182682	10/24 UNC Centerlock Hex Nut			
25	8181728	Switch Actuator Lever			
26	8181989	SHCS 10-24 UNC Screw			
27	8183031	Switch/Valve Bracket			
28	8181983	10-24 x .75, BHSCS Screw			
29	85610349	Power Cable Assembly			



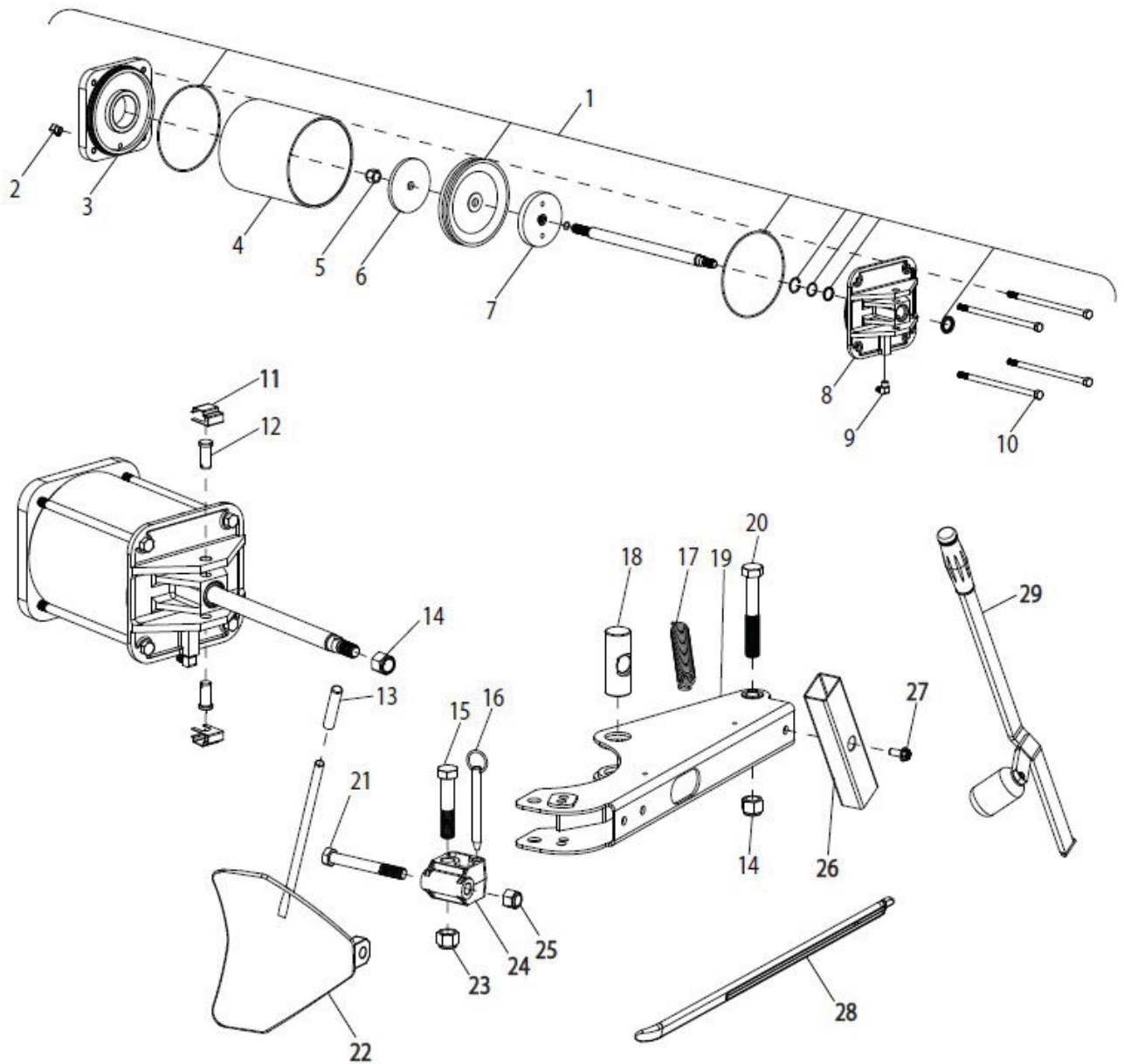
To reverse rotation, interchange red and black wire at motor.

Chassis Assembly



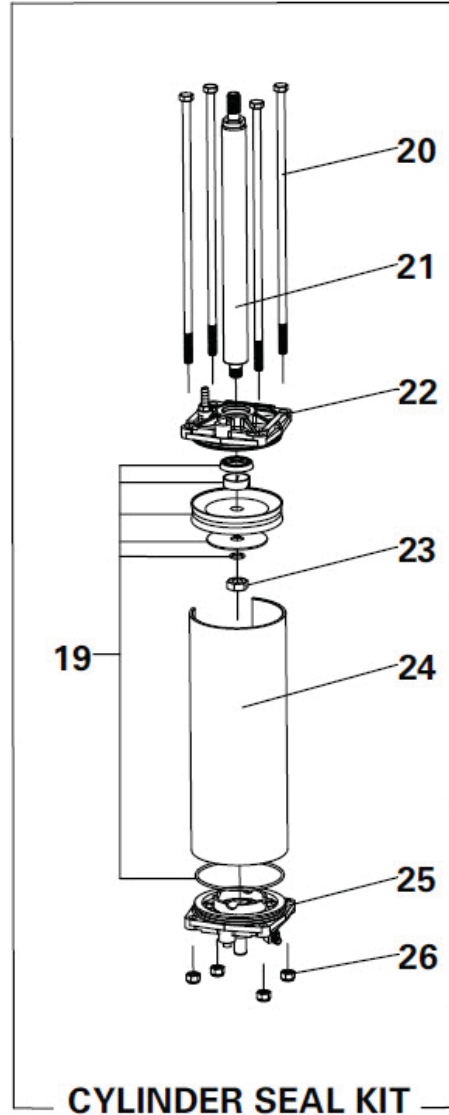
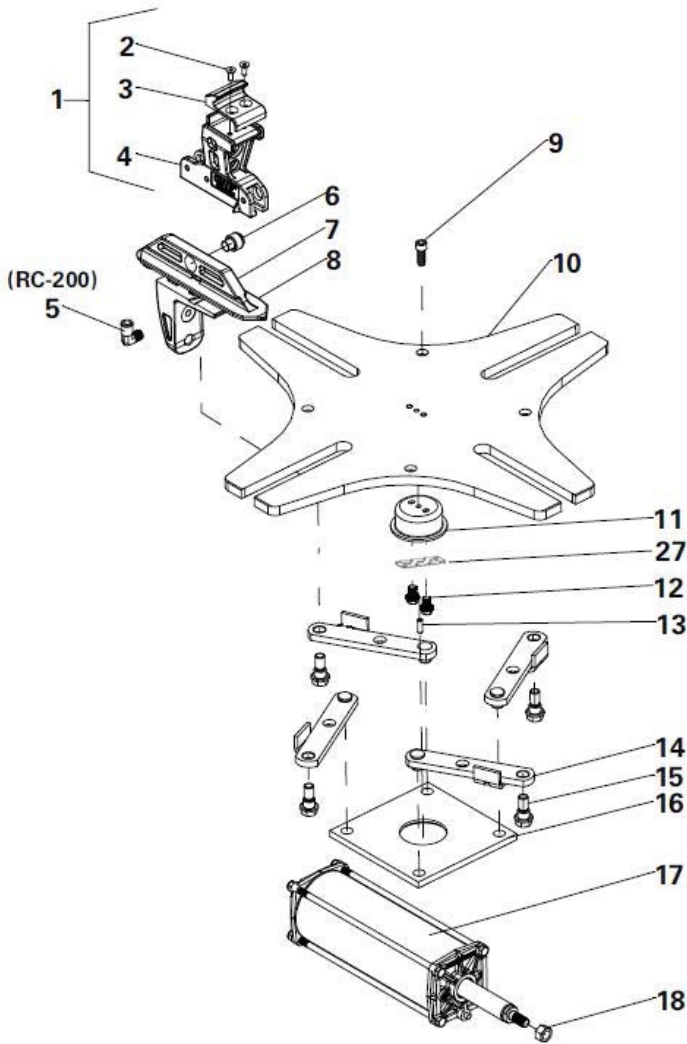
Item	Part No.	Description	Item	Part No.	Description
1	8182807	Side Panel Cover	16	8181147	Inlet Hose
2	8182809	Lube Bottle Bracket	17	8182579	3/4-10 x 5 Hex HD
3	8000491	Applicator Lube	18	8101898	3/8 1/4 NPT Hose Fitting
4	8106259	Lube Bottle	19	8107715	3/8-16 UNC x 1 1/4"
5	8106301	Hex Washer Head Screw	20	8000240	Special Washer
6	8182811	Inflation Cover	21	8182076	Shim Kit
7	8104564	Ring Fastener (RC200)	22	8120424	3/8-16 UNC Washer
8	8150441	1/4" Star Lockwasher	23	8182016	3/4-10 UNC, Lock Nut
9	8301142	1/4" Spring Lock Washer	24	8182088	Torx Pan Hd Selt Tap
10	8107440	1/4-20 Hex Nut	25	8184584	Bead Loosener Pad
11	8182497	.375 ID x 36 Hose			
12	8183770	Filter/Lubricator Bracket			
13	8184256	90 ELL Fitting			
14	8101428	Worm Hose Clamp			
15	8182827	Filter/Lubricator w/Auto Drain (if equipped)			

Bead Loosener Arm & Cylinder Assemblies



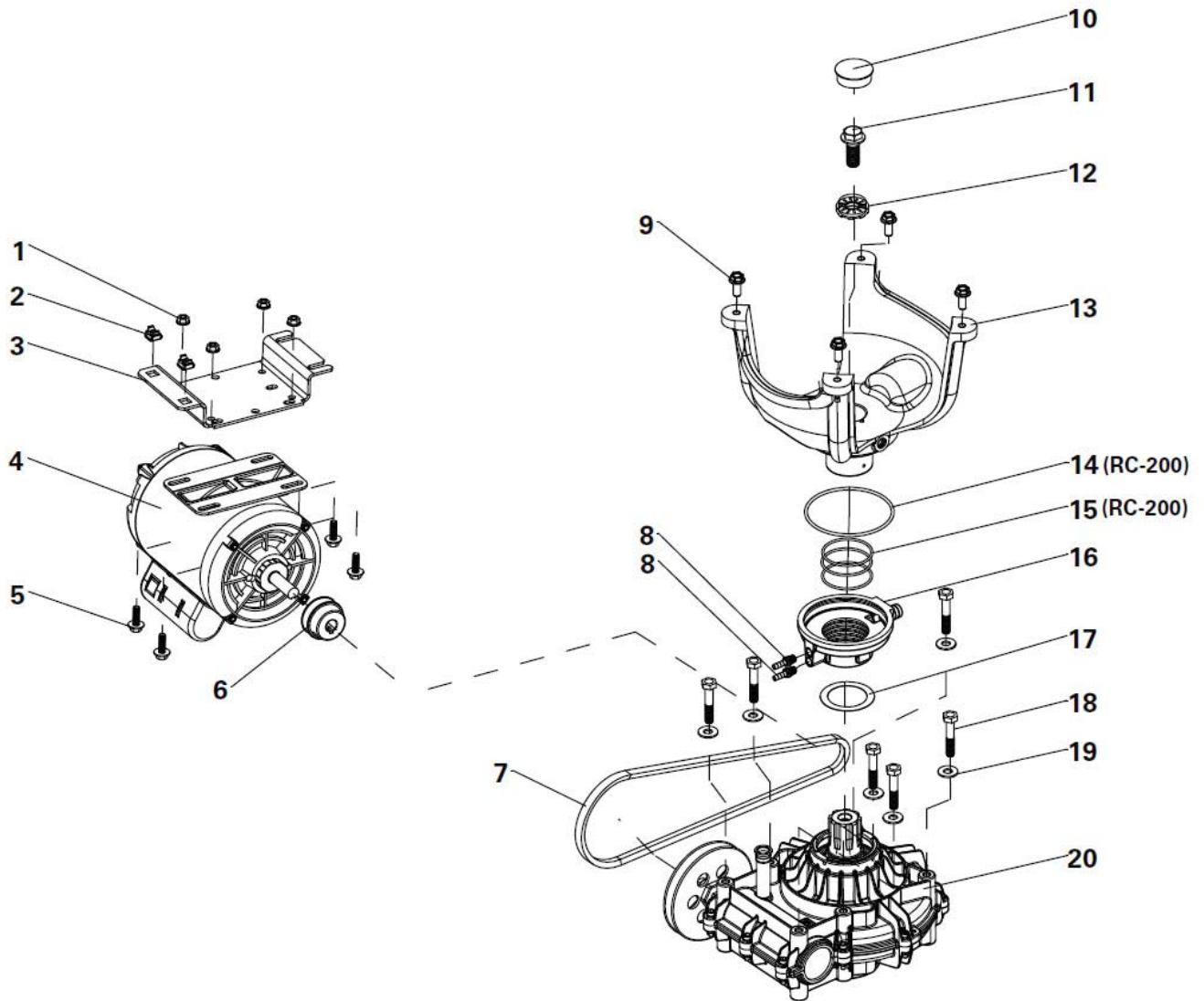
Item	Part No.	Description	Item	Part No.	Description
1	8182079	Cylinder Seal Kit	16	8120326	B.L. Detent Pin
2	8184256	Male Elbow Fitting	17	8180230	Spring Extension
3	8183310	Cap Bottom	18	8182550	B.L. Shaft Pivot Pin
4	8181574	Barrel	19	8182002	Bead Loosener Arm
5	8182016	3/4-10 UNC Lock Nut	20	8182579	3/4-10 x 5 Hex HD
6	8181860	Washer, B.L. Lower Cylinder	21	8182011	HHCS 5/8"-11 UNC
7	8183519	Shaft/Washer Assembly	22	8183529	Handle & Pivot Shoe Assembly
8	8183309	B.L. Cylinder Cap Top	23	8182016	3/4-10 UNC, Lock Nut
9	8184256	Male Elbow Fitting	24	8181951	Pivot Block
10	8181862	Tie Bolt 8" Cylinder	25	8182043	5/8-11 Gr.5 Nylon
11	8181912	Clip Clevis Retainer	26	8183666	Storage Tube
12	8181949	Clevis Pin	27	8106302	3/8-16 x .875 Hex Washer
13	7000230	Handle Grip	28	8181354	Bead Lifting Tool
14	8182016	3/4-10 UNC Lock Nut	29	8184600	Bead Roller
15	8182009	HHCS 3/4"-10 UNC			

Table Top Assembly



Item	Part No.	Description	Item	Part No.	Description
1	8184574	Clamp Assembly	16	8181731	Pivot Plate
2	8183230	Flat Hd. Soc. Cap Screw	17	8182613	Cylinder Assembly
3	8183248	Plastic Jaw Clamp	18	8101039	1/2 Lock Nut
4	8184570	Motorcycle Clamp	19	8183811	Cylinder Seal Kit
5	8181998	Male Elbow Fitting (RC200)	20	8181633	Tabletop Cylinder Tie Bolt
6	8182250	Plunger Assembly	21	8181629	Tabletop Cylinder Shaft
7	8182248	Carrier Cover Clamp	22	8181620	Cylinder Top Cap
8	8182249	Carrier Cover Clamp	23	8182719	1/2-13 Locking Jam Nut, Gr.5
9	8181929	Bolt-Soc. Hd Cap Screw	24	8181627	Cylinder Sleeve
10	8182952	Table Top Plate	25	8181622	Cylinder Bottom Cap
11	8181733	Pivot Block Clamp	26	8181183	5/16-18 Nylon Insert Lock Nut Gr.5
12	85610716	Screw - HHCS, 5/16-18 x 5/8, GR.5	27	85610717	Retainer Bracket
13	8183476	Roll Pin			
14	85610388	Pivot Link Weld Assembly			
15	8182279	Link Bolt			

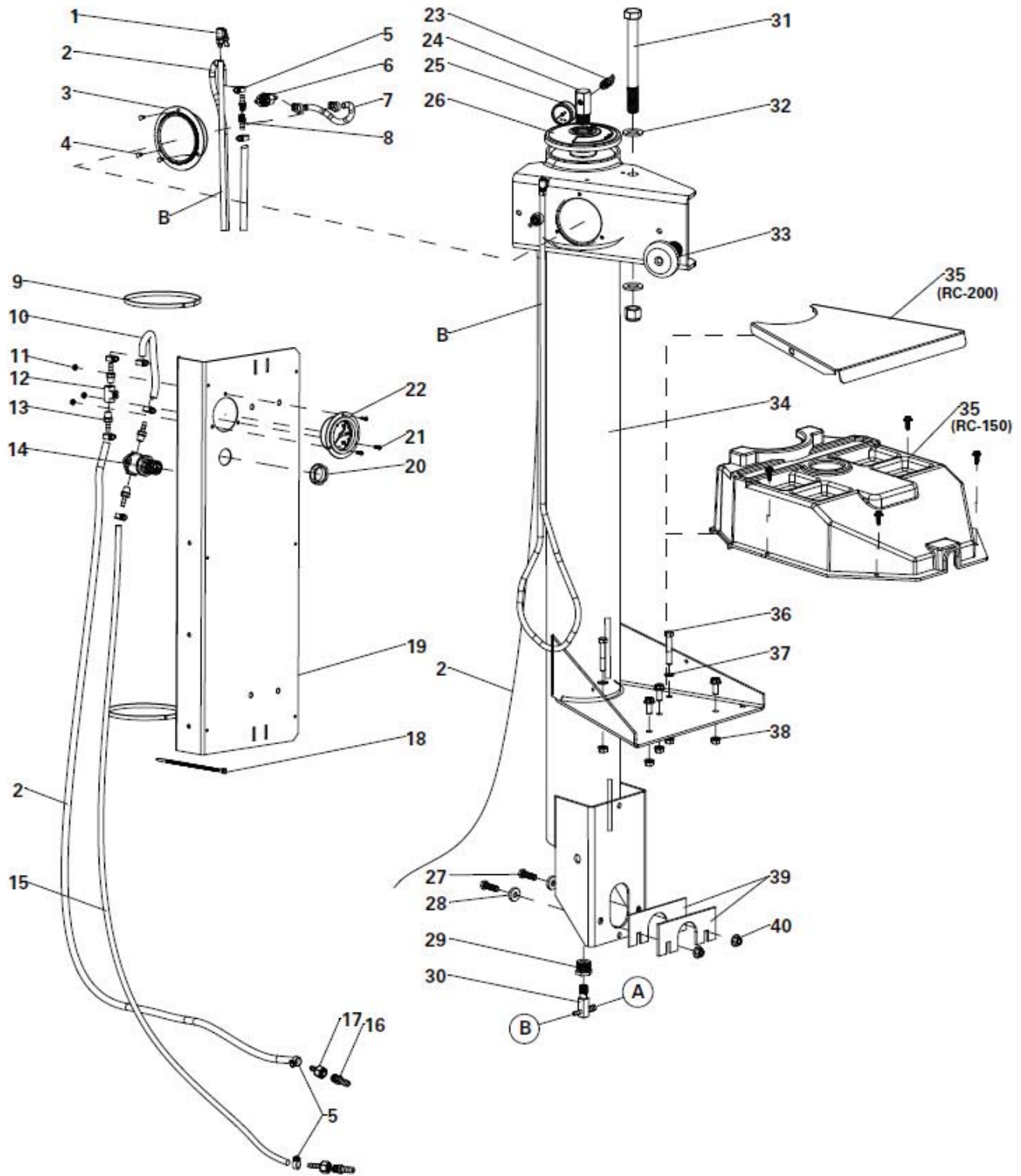
Shaft Housing Assembly



Item	Part No.	Description
1	8182178	Whiz Lock Nut
2	8143044	3/8-16 Nut Tinnerman
3	85609921	Motor Mounting Bracket
4	85009990	1200 RPM Motor (See Wiring Diagram)
5	8120325	5/16 x 1.00 Serrated Bolt
6	8181204	Motor Pulley
7	85608496	V-belt
8	8183369	1/4" Hose Fitting
9	8106302	3/8-16 x .875 Hex Washer
10	8182627	Cap Plug
11	8181742	Ser. Hex Flange Bolt
12	8182979	16 MM Bolt Washer
13	8181990	Spider Assembly
14	8181713	O-ring Seal
15	8181712	O-ring Seal

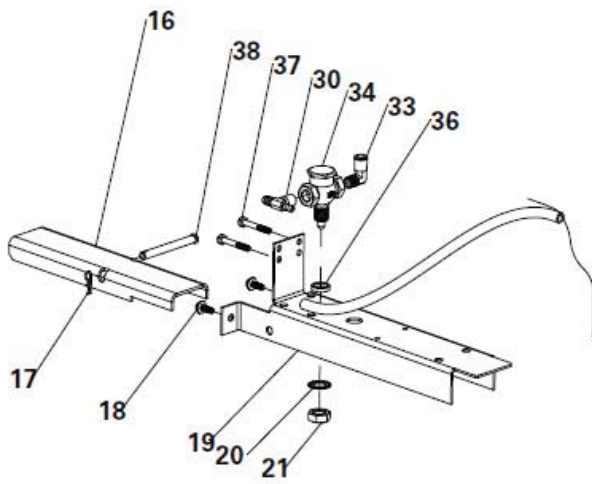
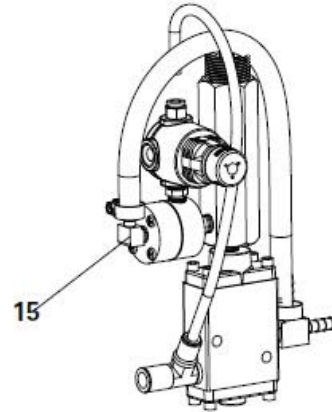
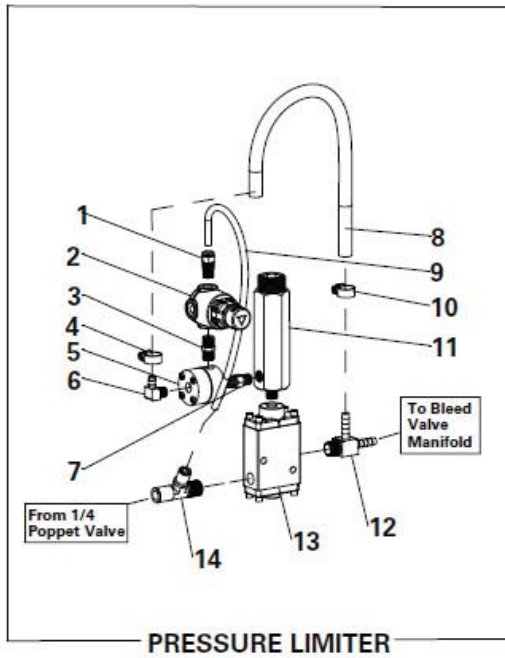
Item	Part No.	Description
16	8181349	Rotary Coupling
17	8183156	Special Washer
18	8182040	Hex HD Cap Screw
19	8301032	3/8" Flat Washer
20	85607709	Transmission Assembly

Tower & Pressure Assemblies

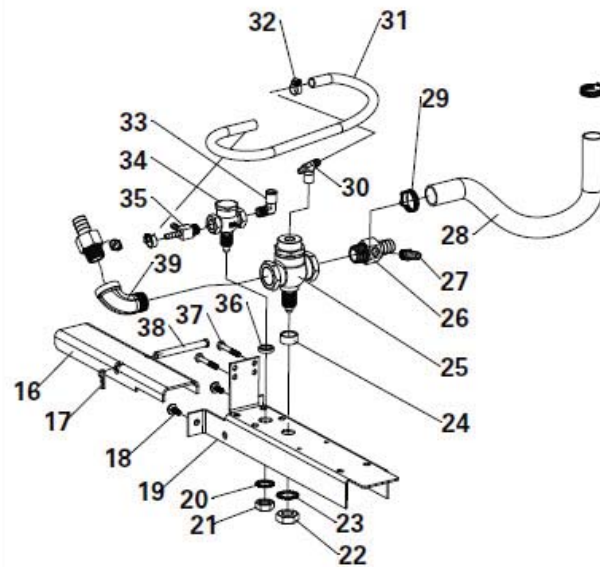


Item	Part No.	Description
1	81825963	Inflation Hose Assembly
2	8182090	1/4" x 61" Hose
3	8107980	Air Gauge
4	8107983	Plastic Fastener
5	8101428	Hose Clamp
6	8183502	Bleed Valve Manifold Assy.
7	8000481	1/4" x 6" Hose
8	8000378	1/4" Brass Str. Fitting (RC200)
9	8182221	6" Hose Clamp
10	8000461	1/4" ID Black Hose, 12"
11	8301066	6-32 Kep Hex Nut
12	8184726	1/8 NPT Tee
13	8000378	1/4" Straight Fitting
14	8184673	Air Regulator - Removable Knob
15	8183421	1/4" ID Red Hose, 73"
16	8101898	3/8 1/4 NPT Hose Fitting
17	8108605	Coupler
18	8120441	Nylon Cable Tie
19	8184581	Gauge Cover
20	8184652	Panel Nut
21	8301063	6-32 x 1/2" PPHMS Screw
22	8184588	2 1/2", 0-200 PSI Gauge
23	8182599	Safety Valve
24	8109784	Manifold (RC150)
	8183434	Manifold (RC200)
25	8108968	Gauge
26	8182458	Tower/Receiver Cap
27	8107715	3/8-16 UNC x 1 1/4"
28	8000240	Special Washer
29	8101312	Bushing (RC150)
	8106188	Strainer Screen (RC200)
30	8107234	1/4" Tee Fitting (RC150)
	8104573	3/4" Straight Fitting (RC200)
31	8181172	Hex Head Bolt (RC150)
	8183635	Hex Head Bolt (RC200)
32	8182457	.812 ID x 1 1/2 OD
33	8181114	Adjusting Assembly Knob
34	8182305	Air Receiver Tower (RC150)
	8183622	Air Receiver Tower (RC200)
35	8181964	Plastic Tray (RC150)
	8182805	Upper Cover (RC200)
36	8181137	3/8-16 x 2.25 HHCS Screw
37	8101018	Washer
38	8106303	3/8-16 UNC
39	8182076	Shim Kit
40	8120424	3/8-16 UNC Washer

Pressure Limiter & Inflation Bracket Assemblies



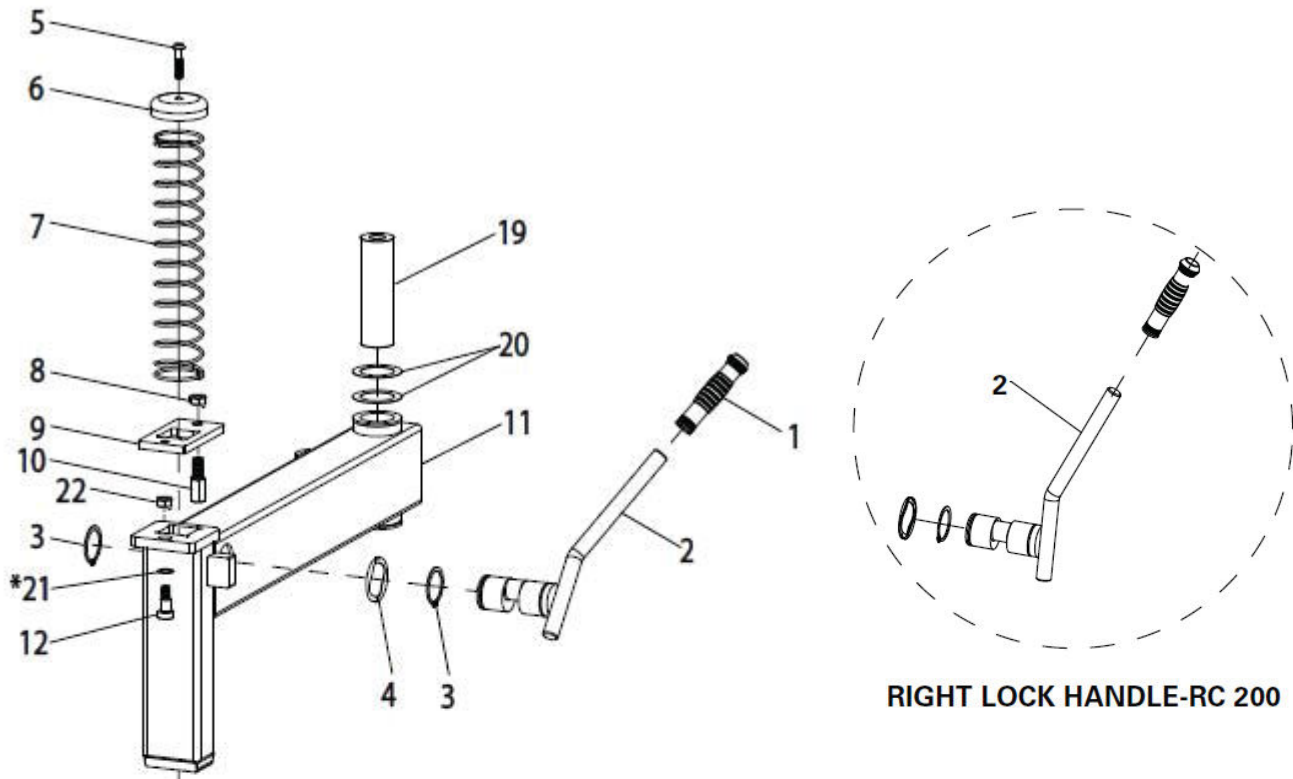
Inflation Bracket RC-150



Inflation Bracket RC-200

Item	Part No.	Description
1	8182035	Male St. Fit. 1/8 NPT x 1/4 Tube
2	8111083	Regulator
3	8109472	1/8" Inline Filter
4	8101428	Hose Clamp
5	8109468	Pressure Repeater
6	8110497	90 Deg. Male Elbow Fitting
7	8109471	1/8" Brass Hex Nipple
8	8103649	1/4" Hose x 12" Lg.
9	8182037	Nylon Tube 1/4 OD x 10" Lg.
10	8101428	Hose Clamp
11	8110496	Volumn Chamber
12	8110325	1/4" NPT Male Run Tee
13	8109466	Piloted Valve
14	8111255	Spl Tee-1/4 NPT x 3/8 x 1/4 Tube
15	8111186	Pressure Assembly
16	8181933	Pedal Inflation Valve
17	8107407	Hitch Pin Retainer
18	8143169	1/4-20 Whiz Lock Hex Nut
19	8181932	Valve Bracket
20	8104613	5/8 External Lk Washer
21	8104610	3/4-16 Jam Nut
22	8104611	5/8-11 Jam Nut (RC200)
23	8104612	3/4 External Lk Washer (RC200)
24	8104674	3/4" Valve Bushing (RC200)
25	8106298	3/4 Poppet Valve (RC200)
26	8182020	3/4 NPT x 3/4 Hose Fitting (RC200)
27	8101898	3/8 1/4NPT Hose Fitting
28	8181993	3/4 ID x 15-1/2 Hose (RC200)
29	8107924	.5 to 1.25 ID Hose Clamp
30	8184469	1/4 NPT, 3/8" Fitting
31	8102048	1/4" ID Hose (RC200)
32	8101428	Worm Hose Clamp
33	8181998	Male Elbow Fitting
34	8104600	1/4 Poppet Valve
35	8000378	1/4 NPT Male Run Tee
36	8104673	1/4" Valve Bushing
37	8120408	1/4-20 x 1-3/4 HHCS Screw, Gr. 5
38	8180103	Standard Clevis Pin
39	8000572	3/4 x 90 Deg Street Ell (RC200)

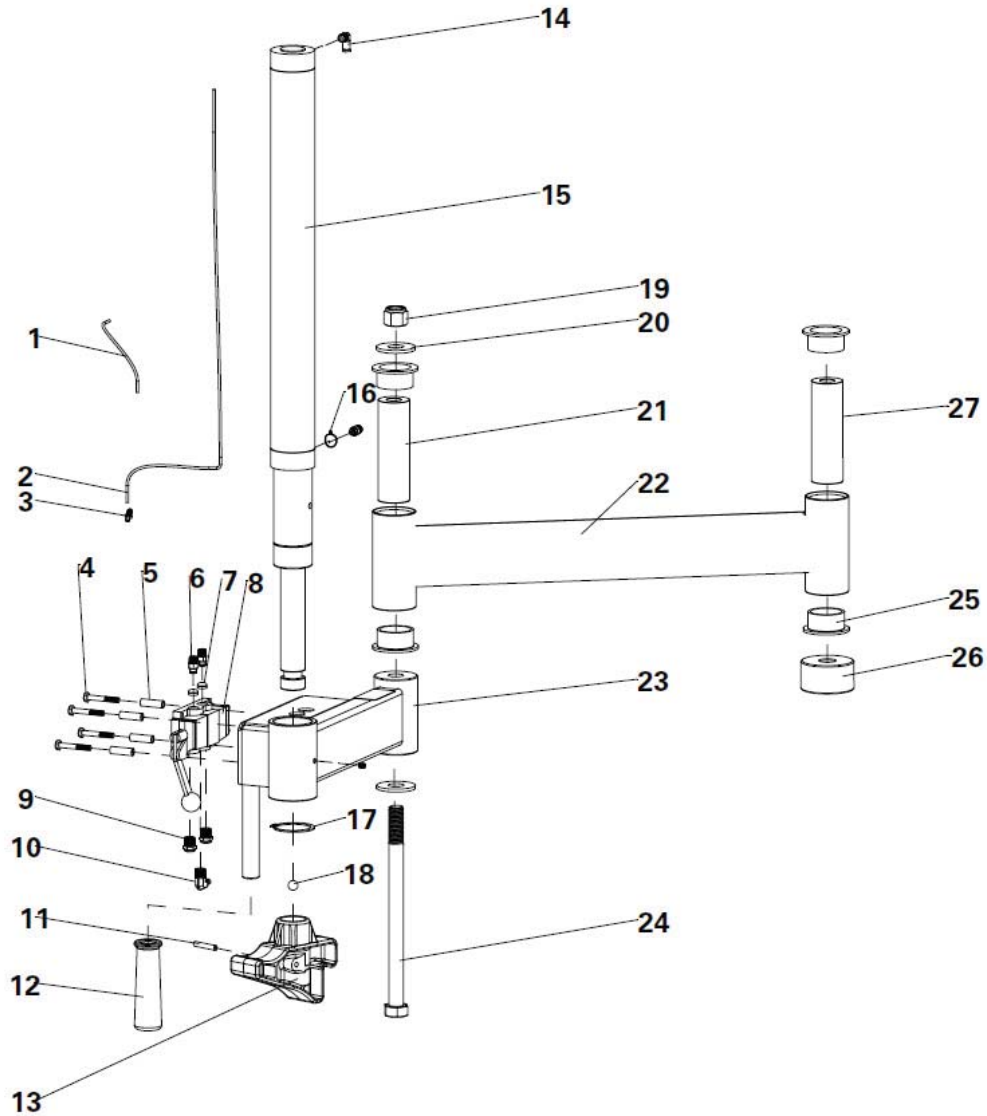
Swing Arm Assembly



RIGHT LOCK HANDLE-RC 200

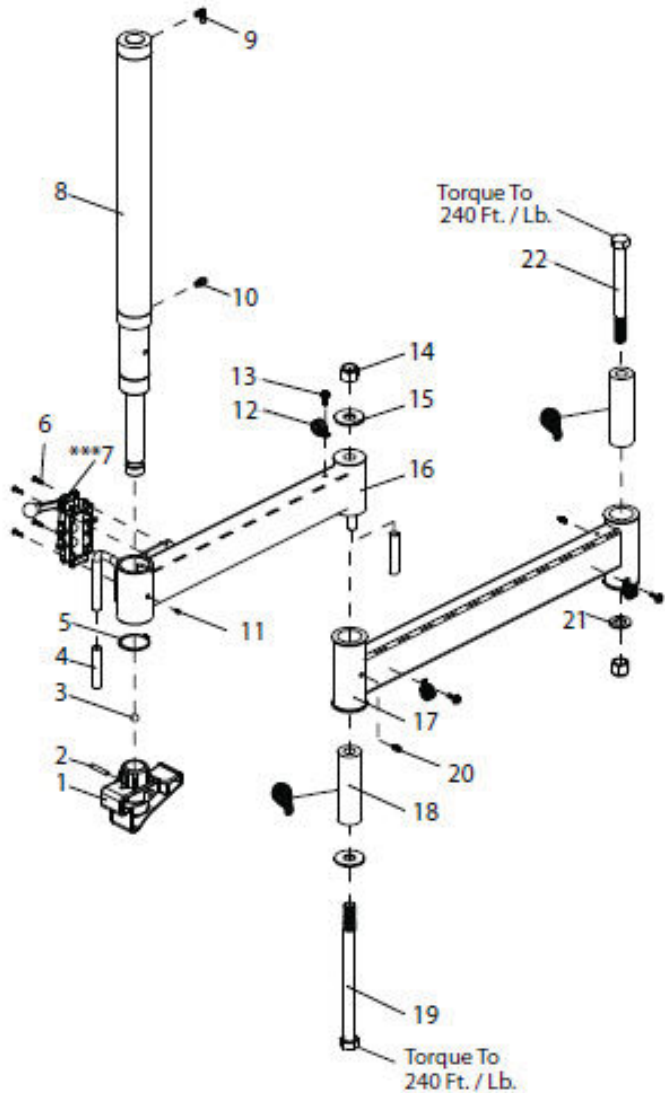
Item	Part No.	Description
1	8100979	Handle Grip
2	8183673	RH Lock Handle
3	8181095	External Retaining Ring
4	8182371	Wave Spring Washer
5	8182029	BHSCS 5/16-18 UNC Screw
6	8181771	Vertical Slide Cap
7	8182028	Compression Spring
8	8181113	1/2"-13 Jam Nut
9	85606343	Lock Plate
10	8181035	Lift Pin
11	8182820-2	Swing Arm Assembly W/C
12	85606344	1/2" x 5/8 x 3/8-16 Shoulder Bolt
13	8182812	Vertical Slide Shaft
14	8182031	Rubber Stop Bumper
15	85607803	Receiver Bracket
16	8183355	Mount/Demount Assembly
17	8182027	1.32 OD x .406 ID Washer
18	8106302	3/8-16 Whiz Lock Screw
19	8181038	Pivot Pin
20	8182339	Washer Swing Arm Shim Kit
*21	85606345	Shim (plastic duckhead only)
22	85610655	3/8-16 RVSRLCK Hex Nut

Short & Long Arm Assembly (RC200)



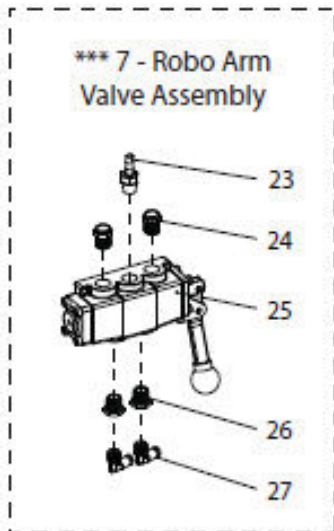
Item	Part No.	Description	Item	Part No.	Description
1	8183679	Tube	16	8150124	4.00 Nylon Cable Tie
2	8183680	Tube	17	8183637	Retaining Ring
3	8184226	Grease Fitting	18	8301017	1/2" Ball
4	8120408	1/4 20 x 1 3/4 HH Cap	19	8182016	3/4-10 UNC Lock Nut
5	8183638	Stand Off Spacer	20	8100994	Shoe Spacer
6	8181996	Male Straight Fitting	21	8181038	Pivot Pin
7	8109481	1/4-1/8 NPT Reducer Fitting	22	8183625	Long Arm Assembly
8	8183642	3 Position Valve	23	8183630	Short Arm Weldment
9	8105615	1/4" NPT Muffer	24	8183703	Hex Head Cap Screw
10	8000376	Elbow Fitting	25	8183703	Washer Swing Arm Shim Kit
11	905563	Roll Pin	26	8183636	Spacer
12	8183639	Handle Grip			
13	8183641	Foot			
14	8181997	Fitting			
15	8183644	Special Cylinder			

Robo Arm® Assembly

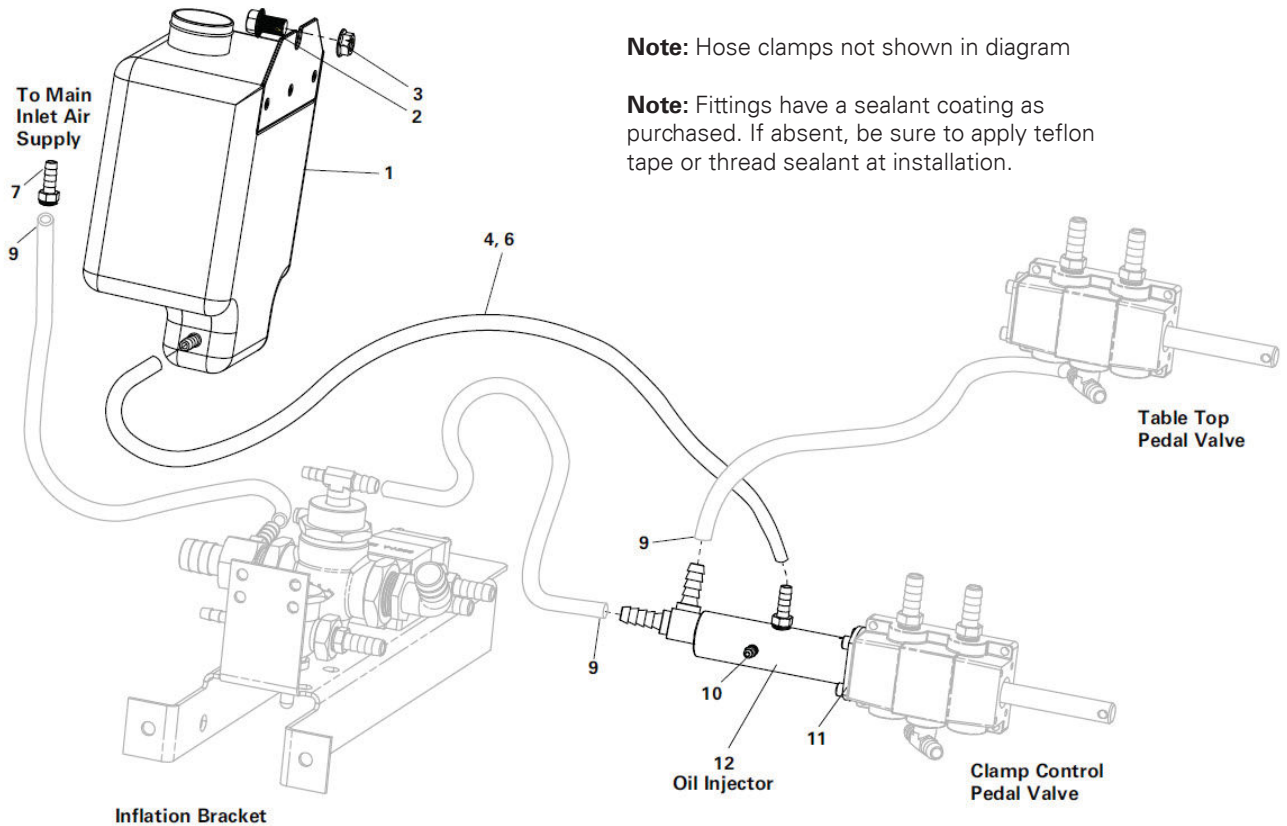


Item	Part No.	Description
1	85009167	Plastic Foot Hold Down
2	905563	ø1/4" x 1-1/2" Roll Pin
3	8301017	ø1/2, Steel Ball
4	7000230	Rubber Hand Grip, 1/2"
5	8183637	Ext. Retaining Ring, ø2
6	8181983	10-24 x 3/4 Lg. BHSCS
7	***	Robo Arm Valve Assembly
8	8183644	Cyl. Assem. 2" Dia. x18" Stroke
9	8181997	90° Elbow 1/8 NPT x 1/8" Fitting
10	8181996	1/4 NPT x 1/8 Tube St. Fitting
11	8183649	1/4-20 x 5/16" Soc Hd Set Screw
12	8182044	Neoprene Cushion Clamp
13	8106301	1/4-20 x 3/4" Soc Hd HWHST Screw
14	8182016	3/4"-10 Nylon Insert Lock Nut, Gr.5
15	8100994	Flat Washer, 3/4"
16	8184905	Front Arm Weldment
17	8184904	Rear Arm Weldment
18	8181038	Swing Arm Pivot Pin
19	8183703	3/4-10 x 10-1/2" Hex Hd Cap Scr, Gr5
20	8184226	Grease Fitting, St.
21	8182457	3/4" SAE Washer
22	8181172	3/4-10 x 7-1/2 HHCS, Gr.5
23	8000378	1/4 NPT Brass Straight Fitting
24	8105615	Small Muffler
25	8185585	3 Position Valve
26	8109481	1/4 NPT x 1/8 NPT RDCR Fitting
27	8181997	1/8 NPT x 1/8" Male Elbow

 Apply Grease To These Locations



Oil Injector Diagram (if equipped)

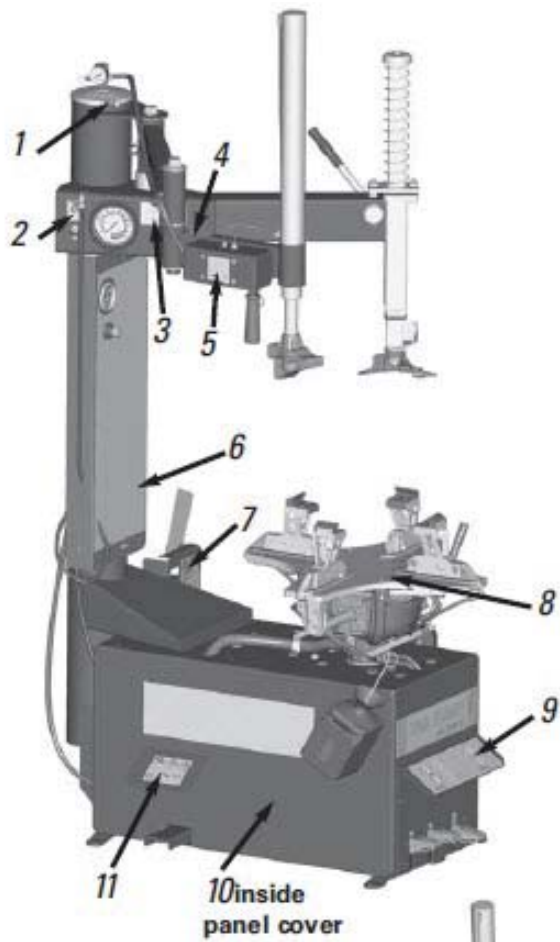


Note: Hose clamps not shown in diagram

Note: Fittings have a sealant coating as purchased. If absent, be sure to apply teflon tape or thread sealant at installation.

Item	Part No.	Description
1	8185629	Tank Reservoir
	81856301	Reservoir Cap
2	85610716	5/16-18 Flange Screw
3	924724	5/16-18 Flange Hex Nut
4	8184243	1/4" x 49" Red Rubber Hose
5	8183770	Holding Bracket
6	85606362	3mm Spring Hose Clamp
7	8101898	St. 1/4" NPT 3/8" Hose Fitting
8	81050124	Zip Tie
9	85606363	16mm Spring Hose Clamp
10	8103737	Release Valve
11	8184686	Spacer Plug
12	8184675	Oil Injector (includes Spacer Plug)

Decal Locations



 **1 - 8182059 03**

 **2 - 8109769 02**

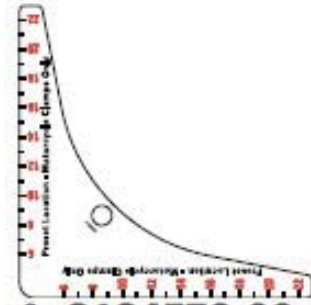
 **3 - 85611205**

 **4 - 8183709 04 (RC200)**

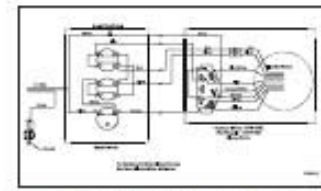
 **5 - 8183684 02 (RC200)**

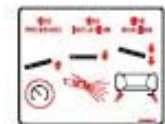
 **6 - 8184582 00**

 **7 - 8183778 02**

 **8 - 8184579 00**

 **9 - 8183143 01**

 **10 - 8184660 00**

 **11 - 8181285 02**

 **12 - 8183683 02 (RC200)**

 **13 - 8181970 04**

 **14 - 85611207**

 **15 - 8180237 05**

Useful Accessories



Kit # 8113125C
3-Pos. Extended X-Clamps
6"—22" Diameter Wheels
Automotive



Kit # 8183781
Stainless Steel
Mount/Demount Head
Automotive



Kit # 8183061
Plastic Robust
Mount/Demount Head
Automotive



Kit # 8184432
Plastic Gray
Mount/Demount Head
High Spoke Automotive



Kit # 8183604
Automotive Clamp
Plastic Bootie, Set of 10
Fits Auto Clamps Only



Kit # 8184712
Motorcycle Clamp
Plastic Bootie, Set of 4
Replacement Parts



Kit # 8183605
Lift Tool Sock
Set of 10



Kit # 8183606
Bead Loosener Shoe Sock
Set of 2



Kit # 8182963
Automotive Steel Head
Bootie, Set of 12
Fits 8183781 Only



Part # 8435685
Drop Center Aid Tool
For Wide Tires



Part # 8108028
Adjustable Tire Spreader
Requires Base



Part # 8181329
Tire Spreader Adapter
Works With Auto
Clamps

