

# COATS®

## Wheel Balancer Models 1300 2D, 1400 2D, 1500 3D & 1600 3D



Model 1300



Model 1400



Model 1500



Model 1600

### *Parts Identification*

READ these instructions before placing unit in service. KEEP these and other materials delivered with the unit in a binder near the machine for ease of reference by supervisors and operators.

**HENNESSY**  
INDUSTRIES

1601 J. P. Hennessy Drive, LaVergne, TN USA 37086 615/641-7533 800/688/6359 www.coatsgarage.com  
HENNESSY INDUSTRIES LLC. Manufacturer of COATS®, AMMCO® and BADA® Automotive Service Equipment and Tools.

Manual Part No.: 85610676 16  
Revision: 11/22

## **Parts Identification**

The following pages include parts breakdowns with exploded view illustrations to help with ordering replacement or spare kits. Assemblies are noted where it is recommended that individual parts not be ordered separately. Note that the parts view illustrations are for multiple models and not all parts shown are on all models. Every effort is made to supply accurate exploded views, however, due to interim changes in manufacturing operations, some units may not be exactly as illustrated.

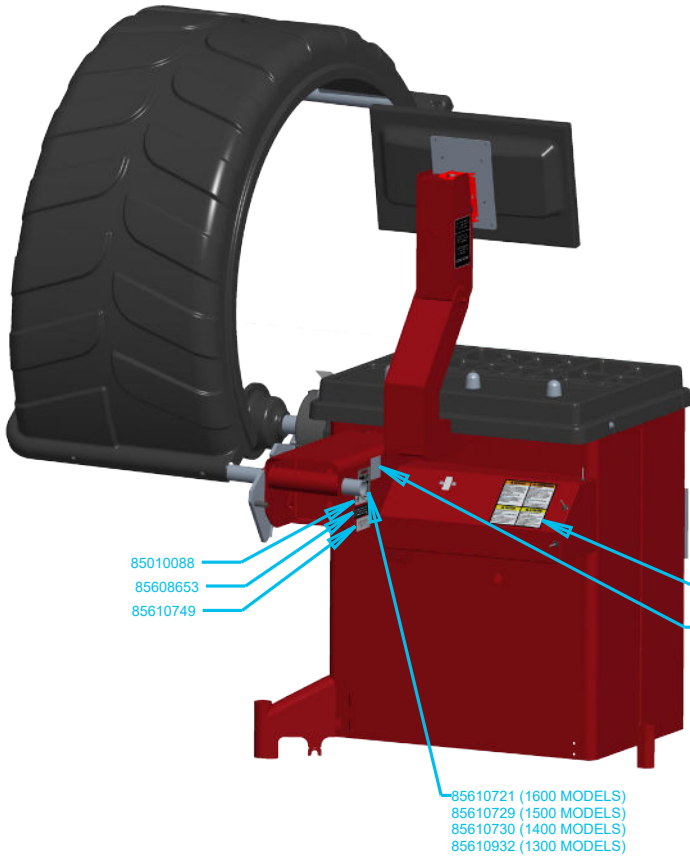
### **Table of Contents**

|  |                |
|--|----------------|
| <b>Label Locations.....</b>                          | <b>3</b>       |
| <b>Wheel Guard Assembly.....</b>                     | <b>4</b>       |
| <b>Wheel Guard Hood Damper (1600 only) .....</b>     | <b>5</b>       |
| <b>Chassis Assembly .....</b>                        | <b>6</b>       |
| <b>Distance Gauge Assembly .....</b>                 | <b>7</b>       |
| <b>Motor Assembly .....</b>                          | <b>8 - 9</b>   |
| <b>Motor Shroud w/Hood LED Bar &amp; Switch.....</b> | <b>9</b>       |
| <b>1300/1400/1500/1600 Monitor Assemblies .</b>      | <b>10 - 11</b> |
| <b>1300/1400 Non-Inverter Model .....</b>            | <b>12 - 13</b> |
| <b>1500/1600 Inverter Models.....</b>                | <b>14 - 15</b> |

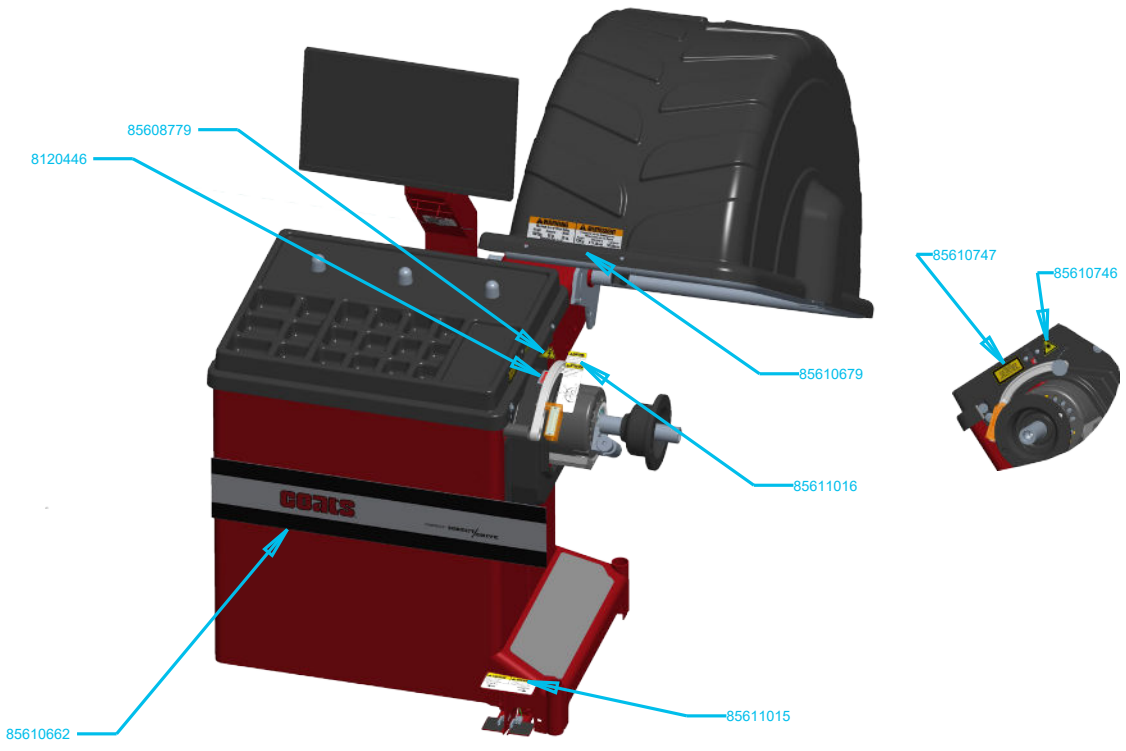
# Label Locations

| Part Number | Description |
|-------------|-------------|
|-------------|-------------|

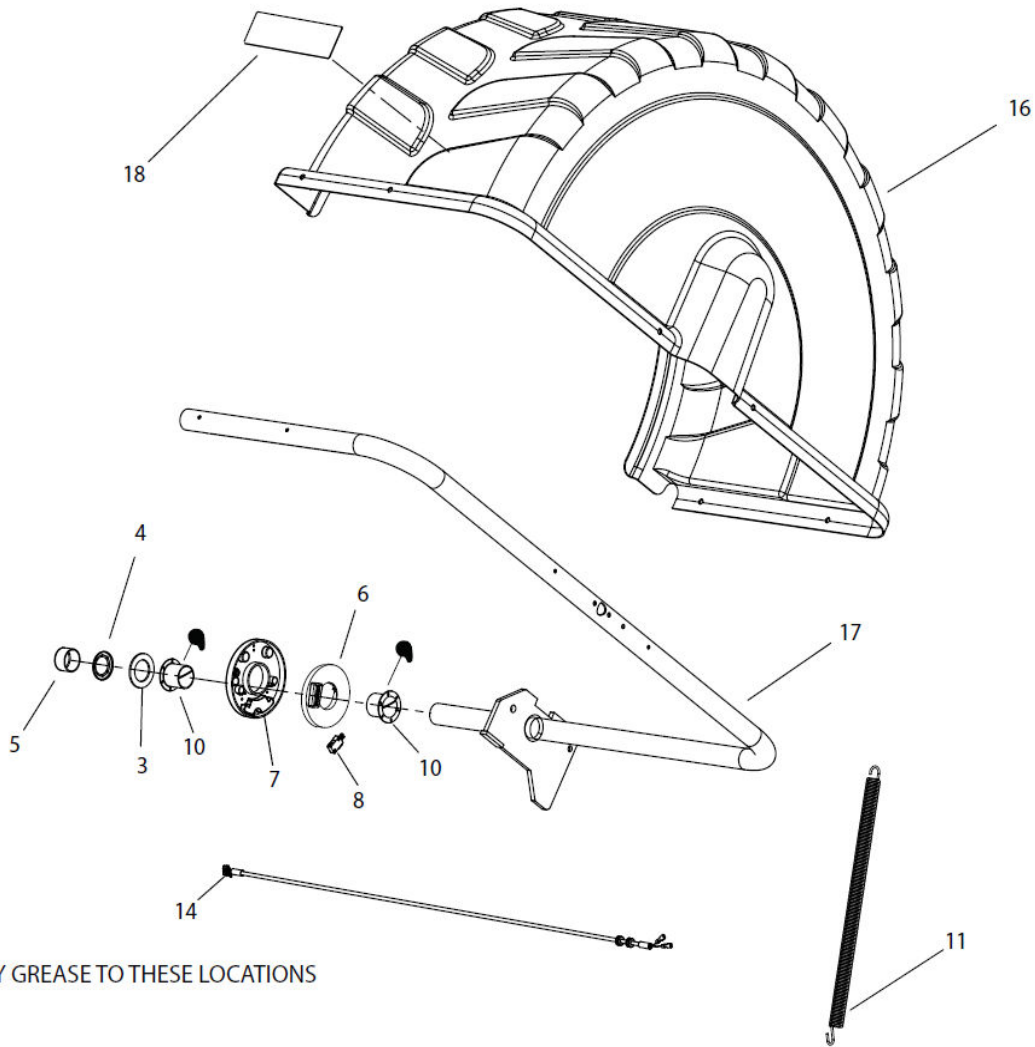
|          |                           |
|----------|---------------------------|
| 8113927  | Caution / Warning         |
| 8120446  | Motor Rotation            |
| 85010088 | MET Lab Compliance        |
| 85608653 | Patent Notice             |
| 85608779 | Electric Shock            |
| 85610662 | Main, 1400/1500/1600      |
| 85610679 | Warning                   |
| 85610721 | Nameplate-1600            |
| 85610729 | Nameplate-1500            |
| 85610730 | Nameplate-1400            |
| 85610932 | Nameplate-1300            |
| 85610746 | Laser Hazard              |
| 85610747 | Explanatory               |
| 85610749 | Certification             |
| 85611015 | Pedal Ops                 |
|          | (1600 Only - if equipped) |
| 85611259 | Reverse Pedal             |
|          | (1600 Only - if equipped) |



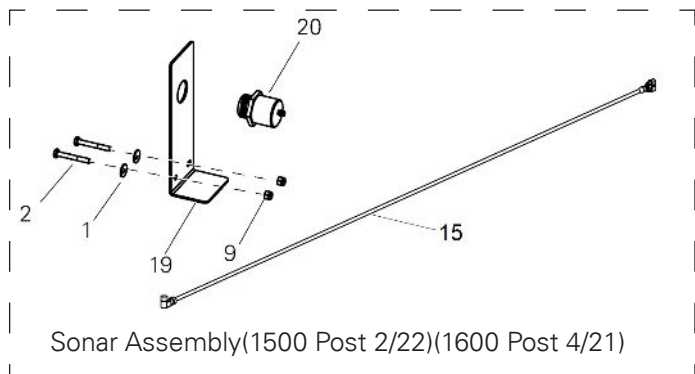
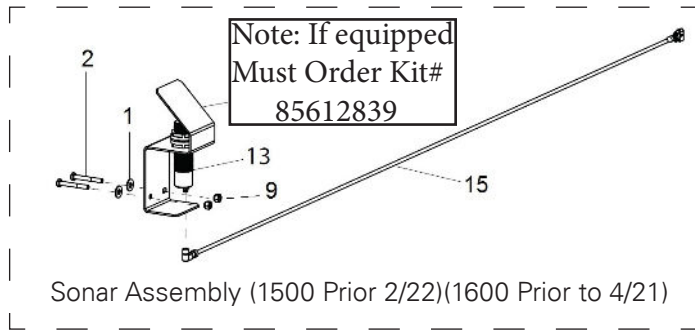
|          |                           |
|----------|---------------------------|
| 85611016 | Caution, Pinch Point      |
|          | (1600 Only - if equipped) |
| 85611166 | Clean, Screen             |



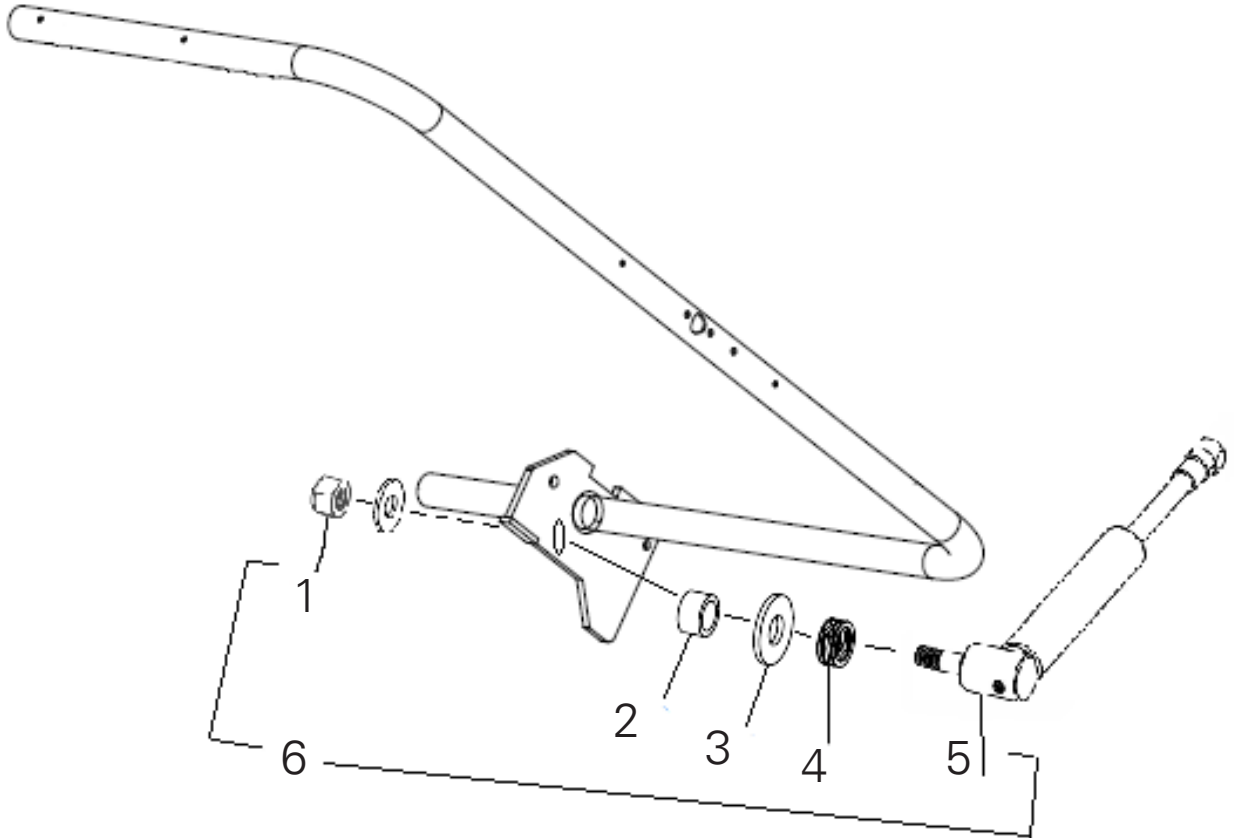
# Wheel Guard Assembly



| Item | Part No. | Description                           |
|------|----------|---------------------------------------|
| 1    | 8000745  | 1/4 Flat Washer                       |
| 2    | 8109802  | Bolt, HHCS, 1/4-20 X 2.00             |
| 3    | 8109944  | Washer - Hood Bar                     |
| 4    | 8109945  | Retainer - Washer 1 1/2"              |
| 5    | 85611317 | Plug - Hood, w/Hole                   |
| 6    | 8113332  | Cam/Cover Hood Switch                 |
| 7    | 8113333  | Housing-Hood Switch                   |
| 8    | 81133341 | Switch-Micro, Limit                   |
| 9    | 8181369  | 1/4-20 UNC Nut                        |
| 10   | 8307014  | Bearing - Flanged, Nylon              |
| 11   | 8308062  | Spring - Hood, Extension              |
| 13   | 85612839 | Sonar Service Kit                     |
| 14   | 85609820 | Assy, Hood Switch Cable (1500 & 1600) |
|      | 85609868 | Hood/Encoder Harness (1400 only)      |
|      | 85610928 | Machine Harness Assy (1300 only)      |
| 15   | 85610231 | Cable-Sonar, Hood                     |
| 16   | 85610517 | Hood-Wheel                            |
| 17   | 8114319  | Weldment - Bar, Hood                  |
| 18   | 85610679 | Decal - Warning                       |
| 19   | 85612034 | Bracket - Sonar                       |
| 20   | 85612042 | Sonar Module                          |



## Wheel Guard Hood Damper (1600 Only)

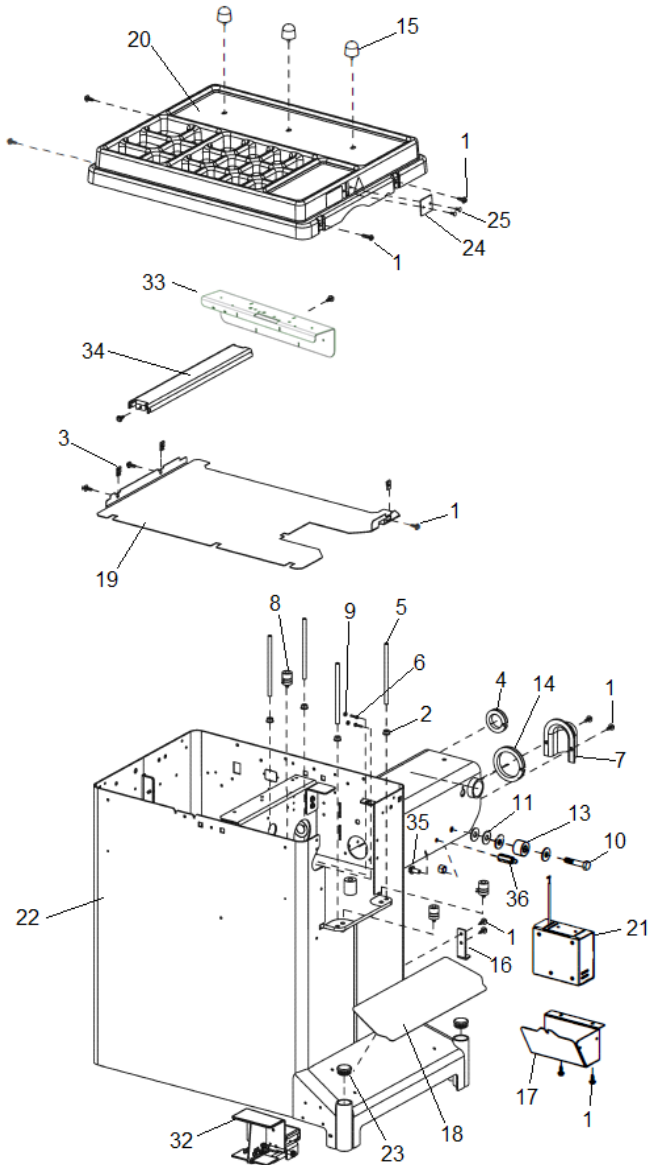


| Item | Part No. | Description            |
|------|----------|------------------------|
| 1    | 8000525  | Nut-Hex, Lk, 5/16-18   |
| 2    | 85610947 | Bearing-Slve,Brnz      |
| 3    | 8000745  | Flat Washer - 1/4      |
| 4    | 85611227 | Spring - Comp, Hi-Load |
| 5    | 85610951 | Damper - Hood          |
| 6    | 85611231 | Damper-Asm,Kit         |

# Chassis Assembly

| Item | Part No.   | Description                       |
|------|------------|-----------------------------------|
| 1    | *8106301   | Screw-1/4-20 X .75                |
| 2    | 8106303    | Nut - 3/8 - 16 UNC                |
| 3    | 8106304    | Fastener - Skin, Tinnerman        |
| 4    | 85610661   | Grommet-Inverter Port             |
| 5    | 8108727    | Rod - Threaded                    |
| 6    | 8110560    | Screw - 8-32 UNC X .75" Lg.       |
| 7    | 8111029    | Cover - Rear Harness              |
| 8    | 8561220103 | Assembly - Piezo                  |
| 9    | 8301084    | Nut, #8-32 Kep                    |
| 10   | 8301120    | Screw - HHCS                      |
| 11   | 8301121    | Washer, Plain .562idx1.375odx.109 |
| 12   | 8301112    | 1/2-13 Hex Nylock Nut             |
| 13   | 8309008    | Molding - Stop, Hood              |
| 14   | 85606581   | Grommet - Flex                    |
| 15   | 85608850   | Stud-Weight Tray                  |
| 16   | 85610698   | Bracket - Anti Tilt               |
| 17   | *85610571  | Cover-Computer, Monitor           |

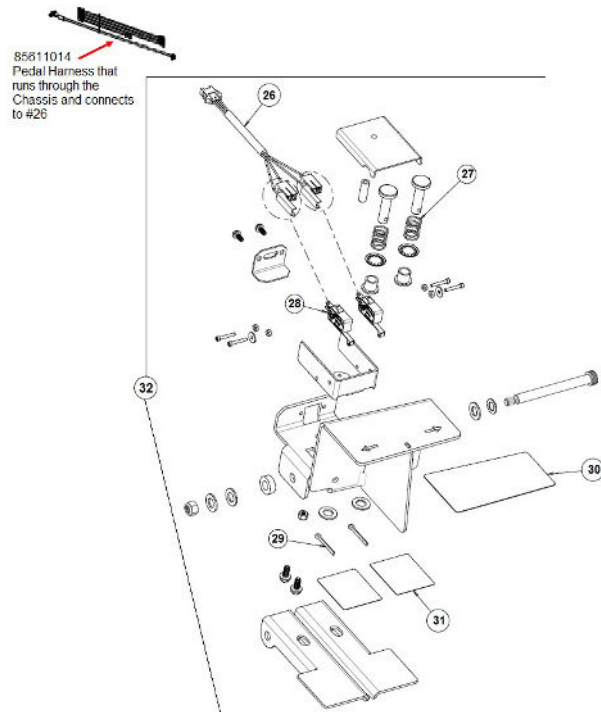
**\*Note:(For units built prior to 03/22)**



| Item | Part No.  | Description   |
|------|-----------|---|
| 18   | 85610578  | Pad, Anti-Skid  |
| 19   | 85610583  | Shield - Weight Tray                                      |
| 20   | 85610587  | Assy-Tray, Laser Shield<br>(Includes 85610588 & 85610274) |
| 21   | *85611245 | Assy-Display Computer                                     |
| 22   | 85610596  | WLDMNT - Chassis, Split, Skirted                          |
| 23   | 85610733  | Cap - Plug  |
| 24   | 85610962  | Black Shield (1300 & 1400)                                |
|      | 85610588  | Laser Shield (1500 & 1600)                                |
| 25   | 85610274  | Plastic Rivet   |
| 26   | 85611020  | Pedal Switch Harness                                      |
| 27   | 929195    | Compression Spring  |
| 28   | 85609746  | Foot Pedal Switch   |
| 29   | 8102278   | Cotter Pin  |
| 30   | 85611015  | Pedal Ops Decal   |
| 31   | 85611013  | Pedal Grip Pad  |
| 32   | 85611000  | Pedal Assembly  |
| 33   | 85610570  | Tray Support Bracket                                      |
| 34   | 85610584  | Tray Stringer   |
| 35   | 8106302   | Screw, HHCS,3/8-16X7/8,<br>WHZLK,G5                       |
| 36   | 85610944  | Standoff-Stud,Ball,10mm                                   |

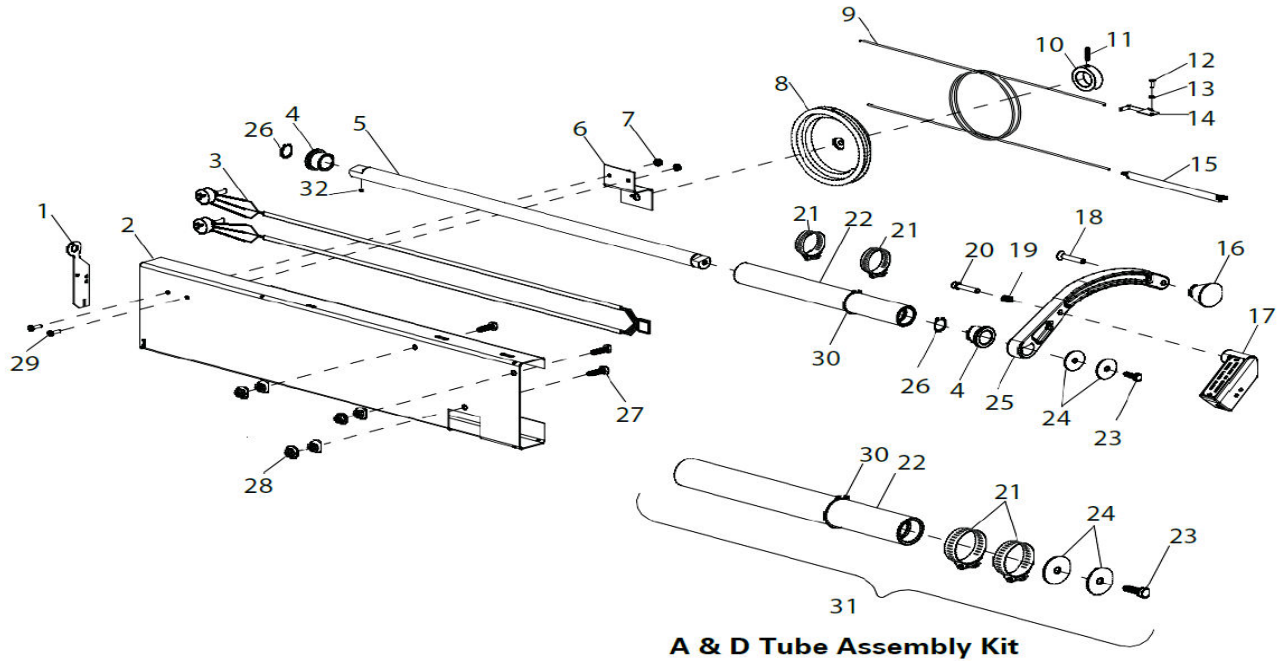
**\*\*Note:Post (03/22) New PC on Page 10-11**

Pedal Assembly (1600 Only - if equipped)

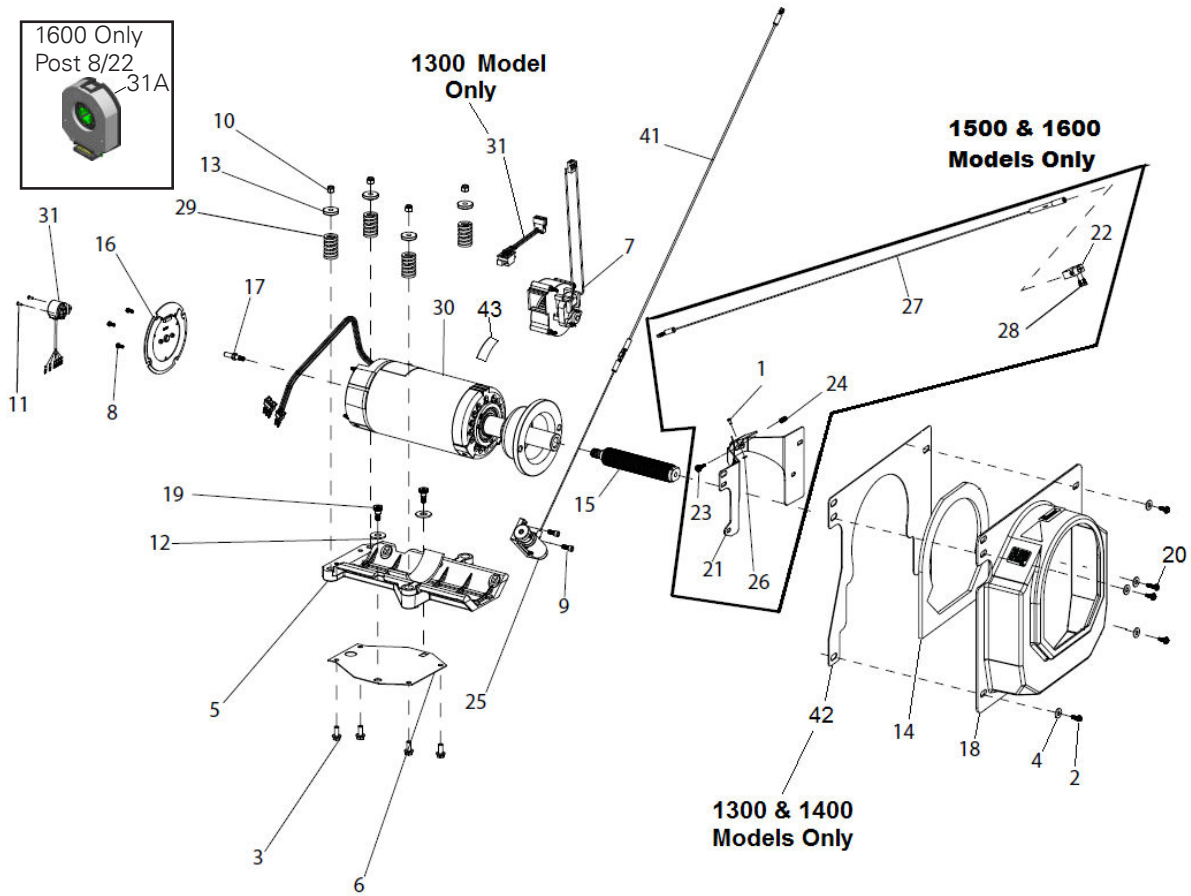


## Distance Gauge Assembly

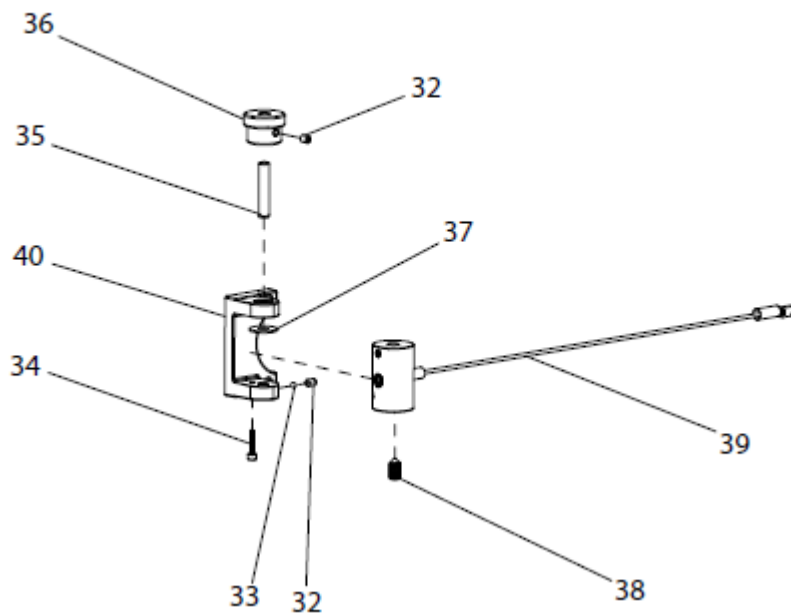
| Item | Part No. | Description                  | Item | Part No. | Description                  |
|------|----------|------------------------------|------|----------|------------------------------|
| 1    | 8114254  | A & D Pendulum               | 18   | 8111173  | 1/4-20 x 1-1/2 FHS Screw     |
| 2    | 8114251  | A & D Bracket                | 19   | 8114380  | Compression Spring           |
| 3    | 85609866 | A & D Pots with Harness Assy | 20   | 8114379  | SHC 1/4-20 x 1-1/4 lg. Screw |
| 4    | 85000730 | Distance Rod Bushing         | 21   | 8114264  | Hose Clamp                   |
| 5    | 80180018 | A & D Rod                    | 22   | 8114255  | A & D Tube                   |
| 6    | 8114258  | A & D Pot Bracket            | 23   | 85000731 | Hex HD Cap Screw             |
| 7    | 8301084  | #8-32 Kep Nut                | 24   | 8111032  | 1/4 Fender Washer            |
| 8    | 80180017 | Distance Pot Pulley          | 25   | 8114373  | Arm                          |
| 9    | 80180022 | String                       | 26   | 903174   | Retaining Ring               |
| 10   | 8114403  | Pulley Collar                | 27   | 8301534  | 1/4-20 x 7/8 HHC Screw       |
| 11   | 8114404  | 10-24 x 3/4 SHSS Screw       | 28   | 8143169  | 1/4-20 Whiz Lock Hex Nut     |
| 12   | 80180020 | Spring Bracket, 3MM Screw    | 29   | 8111542  | #8-32 X 5/8" SEM Screw       |
| 13   | 80180021 | Washer 3MM                   | 30   | 8100964  | 1 1/4-inch Retaining Ring    |
| 14   | 80180019 | String Bracket               | 31   | 85000732 | A&D Arm Tube Assembly Kit    |
| 15   | 80180023 | Spring                       | 32   | 85609880 | M6 x 12mm SHSSCP Screw       |
| 16   | 8114253  | Cone                         |      |          |                              |
| 17   | 85009229 | Line Laser                   |      |          |                              |



# Motor Assembly



# Rotary Laser Assembly

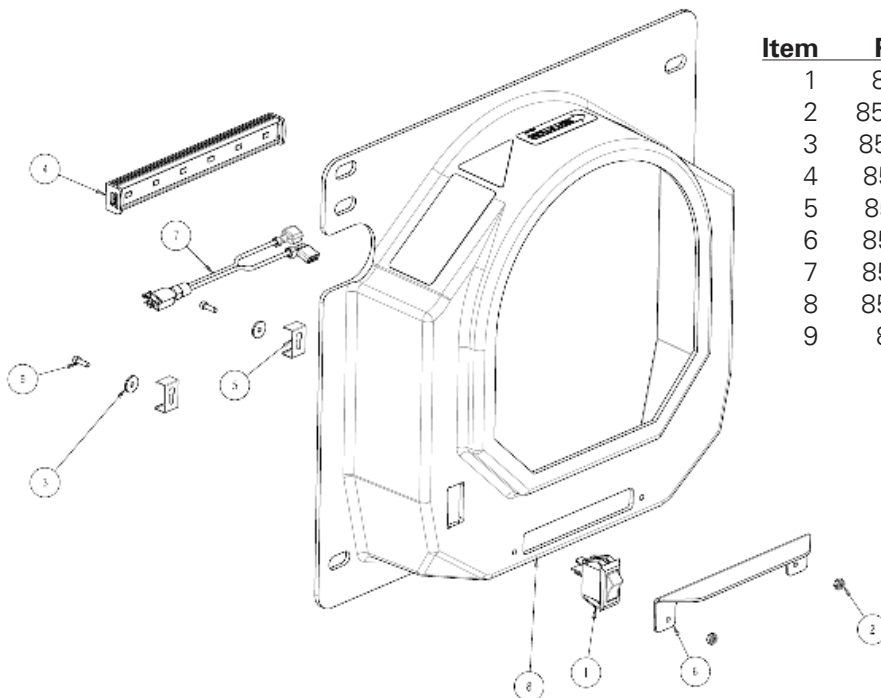




## Motor & Rotary Laser Assembly

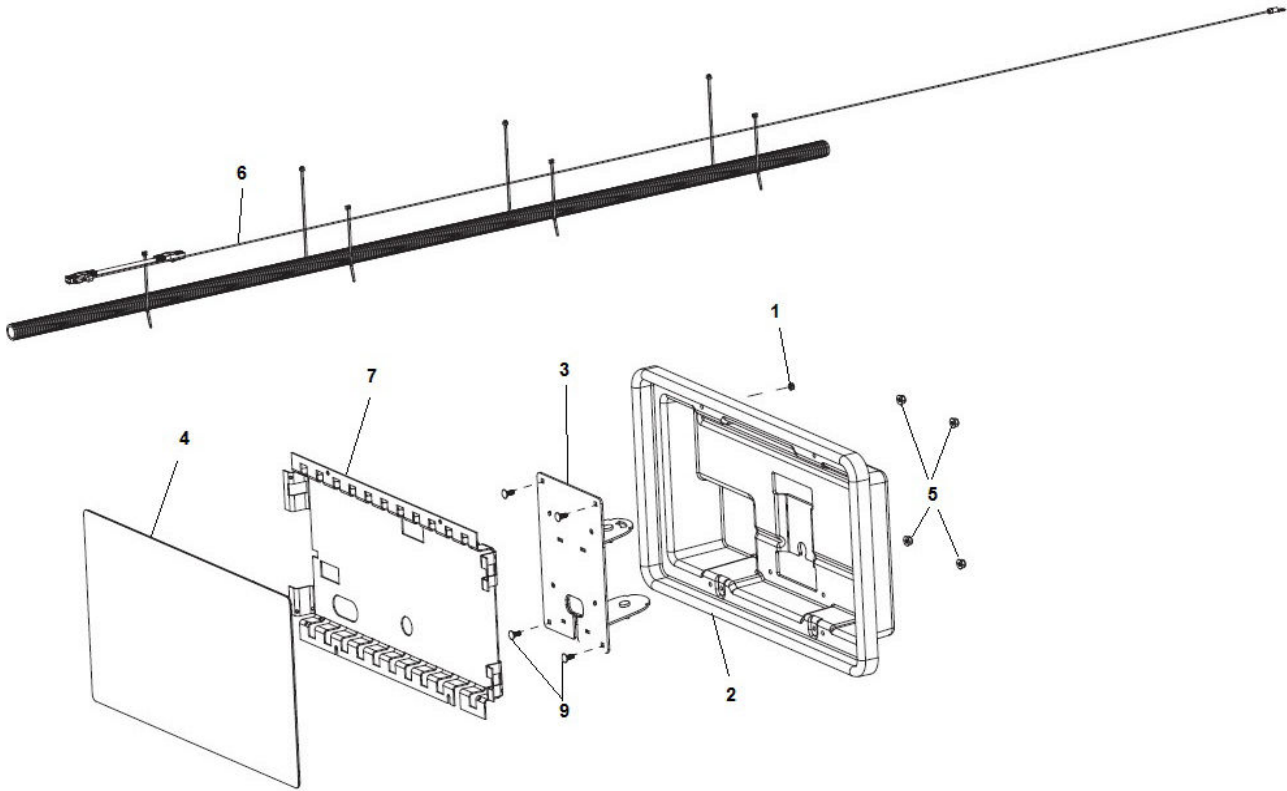
| Item | Part No. | Description                          | Item | Part No. | Description                               |
|------|----------|--------------------------------------|------|----------|---|
| 1    | 920615   | 8-32 X .375 BHCS                     | 23   | 85610273 | Screw-Thumb, #8-32 X 7/8                  |
| 2    | 8106301  | Screw-1/4-20 X .75                   | 24   | 85610275 | Spring, .360 X 3/4"                       |
| 3    | 8106302  | Screw - HSWF, 3/8-16 X 7/8           | 25   | 85610280 | Laser Assy-Rotary, Jst                    |
| 4    | 8107635  | Washer-Flat, 5/16                    | 26   | 85610282 | Washer, #8, Hard Fiber                    |
| 5    | 8110430  | Ass'y. - Cradle                      | 27   | 85610536 | Assy-Cable, Line, Laser                   |
| 6    | 8112182  | Flex - Plate                         | 28   | 85610579 | Screw-#8-32X3/8 SHCS                      |
| 7    | 8114265  | Assembly - Fan                       | 29   | 85610682 | Spring - Piezo, Precision                 |
| 8    | 8144110  | Screw - Hex Washer Head              | 30   | 85010010 | Motor Replacement Kit (40mm)              |
| 9    | 8182149  | Screw - SHC 5/16-18 X 3/4            | 31   | 85610094 | Encoder (1500 & 1600)                     |
| 10   | 8301035  | Nut-3/8-16 Hex Nyloc                 |      | 8110923  | Encoder (1400)                            |
| 11   | 8301067  | Screw - #6-32 PHIL                   |      | 8308817  | Rotary Shutter (1400)                     |
| 11A  | 85612131 | Screw-CUI Encoder <b>(Post 8/22)</b> |      | 8110923  | Encoder Assembly (1300)                   |
| 12   | 8301121  | Washer, Plain .562 ID                | 31A  | 85612673 | Encoder CUI (1600) <b>(Post 8/22)</b>     |
| 13   | 8308036  | Retainer - Piezo Spring              | 32   | 902308   | Set Screw                                 |
| 14   | 8308536  | Motor Gasket                         | 33   | 906407   | Ball-Nyln, .187                           |
| 15   | 85009204 | Shaft-Extension, 40MM                | 34   | 928367   | Screw, SHCS 10-24 UNC                     |
| 16   | 85009970 | Cover - Rear End Bell (1500 & 1600)  | 35   | 8114237  | Dowel 3/8 X 2" LG.                        |
|      | 8308513  | Cover - Rear End Bell (1400)         | 36   | 8114241  | Knob                                      |
| 17   | 85009971 | Shaft - Encoder Drive                | 37   | 8114242  | Plastic Washer                            |
| 17A  | 85612835 | Shaft CUI Encoder <b>(Post 8/22)</b> | 38   | 85610252 | Screw-Set, Cn Pt,3/816,.75"LG             |
| 18   | 85610748 | Shroud-Motor, Assy (1400, 1500)      | 39   | 85610268 | Cylinder Assy-Laser, Rotary               |
|      | 85608997 | Shroud-Motor, Assy (1300)            | 40   | 85612820 | Bracket-Assy, W/Brg                       |
| 19   | 85609427 | Bolt-SHSS, 1/2 X 3/8-16              | 41   | 85610265 | Cable Assy - 36", JST                     |
| 20   | 85609826 | Screw-HWHMS, 1/4-20                  | 42   | 85609063 | Motor Cover Shield (1300 & 1400)          |
| 21   | 85610269 | Bracket-Inboard Laser Posn           | 43   | 85611016 | Caution, Pinch Point (1600 - if equipped) |
| 22   | 85610271 | Mount Block-12mm Dia Laser           |      |          |   |

## Motor Shroud (1600 with Hood LED Bar & Switch)

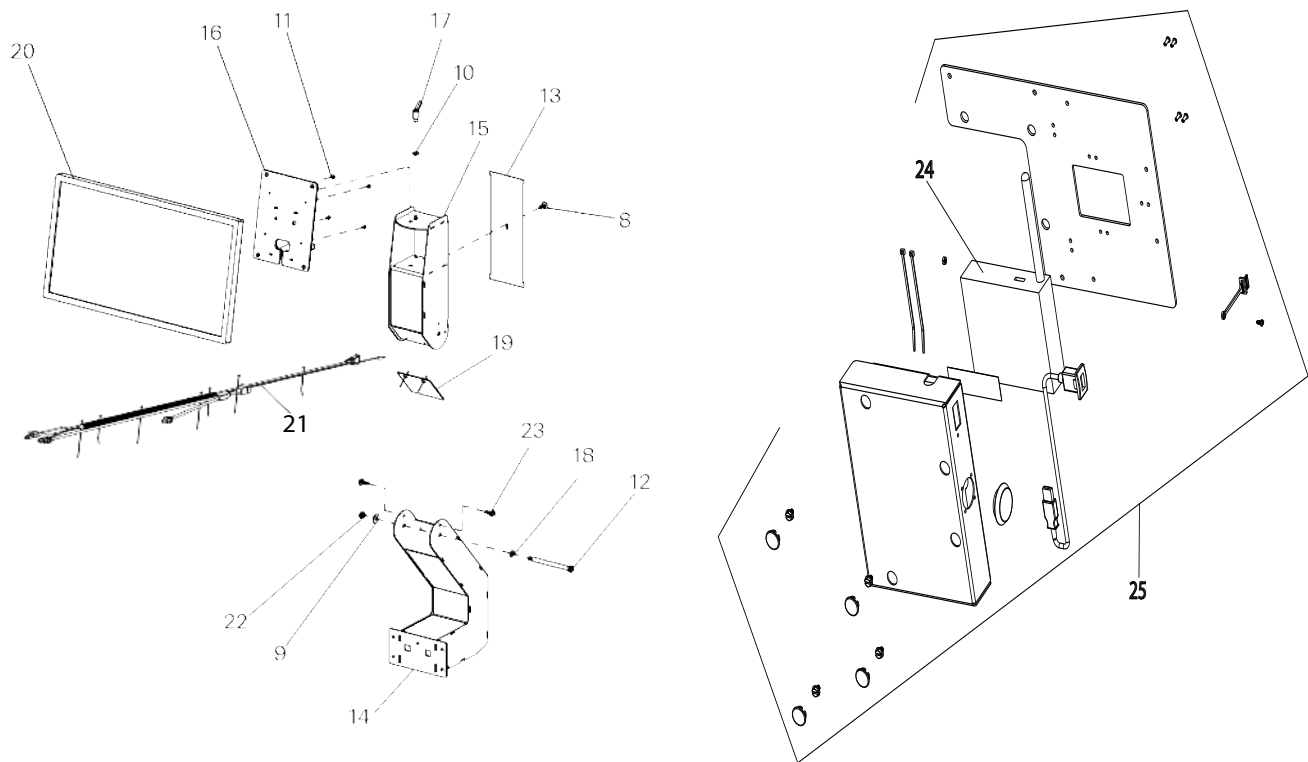


| Item | Part No. | Description                     |
|------|----------|---------------------------------|
| 1    | 8305802  | Switch-ON/OFF                   |
| 2    | 85000357 | Nut - Nylok #4-40               |
| 3    | 85609410 | Washer-#4 Flat, .125ID X .438OD |
| 4    | 85611210 | LED-6IN, Luxbar                 |
| 5    | 85611211 | Clip-Bar, LED                   |
| 6    | 85611216 | Hood-LED, Shroud                |
| 7    | 85611218 | Harness-Power, LED              |
| 8    | 85611233 | Shroud-Motor, ASM, Routed       |
| 9    | 8112073  | Screw-BHCS, #4-40 X 1/2 LG.     |

## 1300/1400/1500 Monitor Assembly



## 1600 Monitor Assembly



## 1300/1400/1500 Monitor Assembly

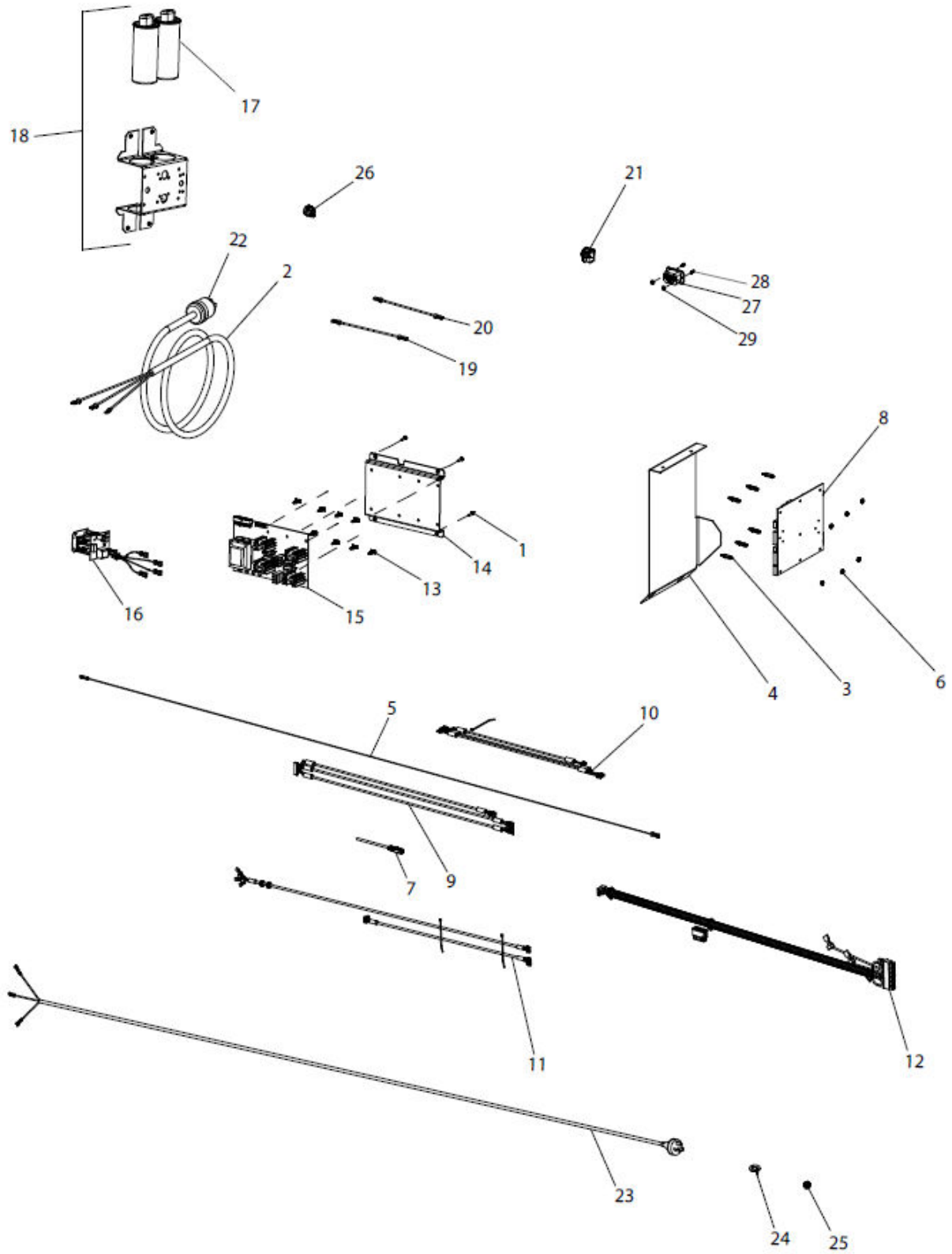
| Item | Part No. | Description                                      |
|------|----------|--|
| 1    | 8111055  | Nut - Lock, W/Nylon Collar, #6-32                |
| 2    | 85610516 | POD - Electronics                                |
| 3    | 85610602 | Wldmnt-Display Mount, Pvt Brkt                   |
| 4    | 85610931 | Assy-Panel, Tactile Touch (1300) (Includes PCB)  |
|      | 85610896 | <b>Panel</b> , Tactile Touch, <b>Only</b> (1300) |
|      | 85608097 | <b>Board</b> -Panel,Touch, <b>Only</b> (1300)    |
|      | 85610664 | Assy-Panel, Tactile Touch (1400)                 |
|      | 85610663 | <b>Panel</b> , Tactile Touch, <b>Only</b> (1400) |
|      | 85610624 | Assy-Panel, Tactile Touch (1500)                 |
|      | 85610626 | <b>Panel</b> , Tactile Touch, <b>Only</b> (1500) |
| 5    | 85611520 | Nut-Lock, #10-24, Nylon Insert                   |
| 6    | 85610928 | Assy-Cable, Tactile Panel (1300)                 |
|      | 85610629 | Assy-Cable, Tactile Panel (1400/1500)            |
| 7    | 8113624  | Shield - EMC (AUS Models only)                   |
| 8    | 85610529 | Mount-Cable, Snap-In, 8"                         |
| 9    | 85611519 | Bolt, Square-Neck Carriage, #10-24 x 0.5"        |

## 1600 Monitor Assembly

| Item | Part No.   | Description                                   |
|------|------------|---|
| 9    | 8000745    | Washer-Flat, 1/4"                             |
| 10   | 8113921    | Washer - Flat 1/4"                            |
| 11   | 85607866   | Screw-M4-07X10MM, Slotted Pan                 |
| 12   | 85610288   | Screw-Shoulder, 3/8 x 4                       |
| 13   | 85610556   | Plate-Pivot Backing                           |
| 14   | 85610599   | WLDMNT-Display Mount, Lower                   |
| 15   | 85610601   | WLDMNT-Display Mount, Upper                   |
| 16   | 85610602   | WLDMNT-Display Mount, Pvt Brkt                |
| 17   | 85610604   | HANDLE-Display Mount, Locking                 |
| 18   | 85610606   | Washer-Fiber, 3/8" ID                         |
| 19   | 85610607   | Cover-Mat, 1/16" Rubber                       |
| 20   | 85612139   | Display-Asus, 22" Touch                       |
|      | 85612143   | Display-Viewsonic, 22" Capacitive             |
| 21   | 85610611   | Cable-Asm, Display, Opt. Touch (for 85610608) |
|      | 85611170   | Cable-Asm, Display, (for 85611168)            |
| 22   | 8000525    | Nut-Hex, LK, 5/16-18                          |
| 23   | 8106301    | Screw-1/4-20 X .75                            |
| 24   | 85612254   | PC  |
| 25   | 8561226801 | PC Assembly for Display-Asus,Planar           |
|      | 8561226802 | PC Assembly for Display-Viewsonic             |
| **   | 85612626   | Cable-ASM Male RJ45/Male USB-A                |
| **   | 85612261   | Cable-HDMI                                    |

\*\* Not Shown

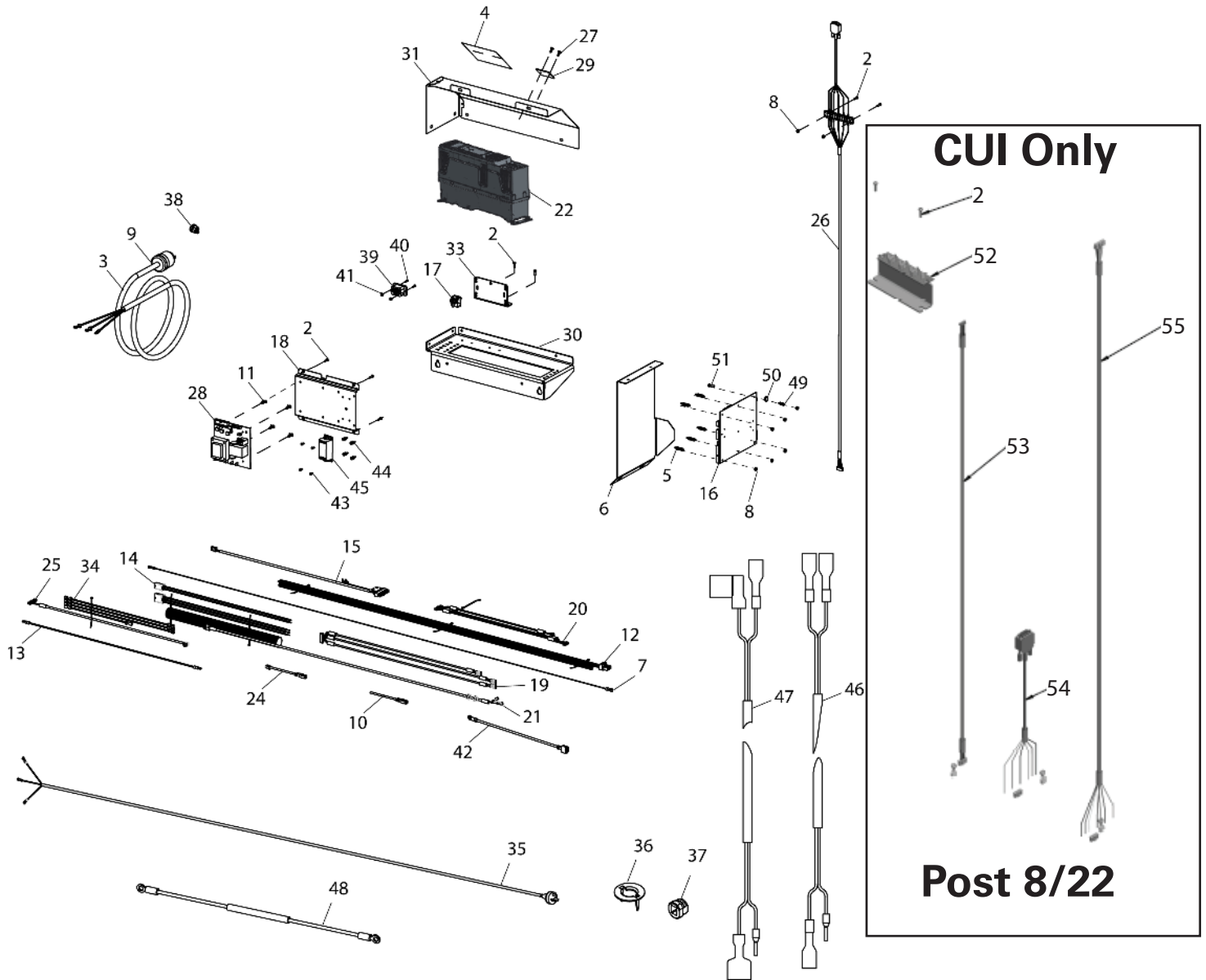
# 1300/1400 Non-Inverter Model



## 1300/1400 Non-Inverter Model

| Item | Part No. | Description                        |
|------|----------|------------------------------------|
| 1    | 8111542  | Screw - 8-32 X 5/8 LG. Php Sem     |
| 2    | 85611137 | Cord – Power                       |
|      | 8143127  | Cord-Power 3 PH                    |
| 3    | 8113996  | Standoff - 8-32X3/4                |
| 4    | 8114184  | Cover                              |
| 5    | 8114212  | Assembly, Drain Wire               |
| 6    | 8301084  | Nut, #8-32 KEP                     |
| 7    | 81142111 | Cable - Cat 5, 7' LG.              |
| 8    | 85608097 | PCB – Processor (1300 Only)        |
|      | 85609809 | PCB – Processor (1400 Only)        |
| 9    | 85609815 | Assembly - Piezo Harness           |
| 10   | 85609818 | Assembly, MCB Cable                |
| 11   | 85609868 | Harness-Assy                       |
| 12   | 85608188 | Harness-Swtch,Hd,Assy              |
| 13   | 85000361 | Standoff-Lck, Snp                  |
| 14   | 85609308 | Bracket-Mcb,Assy                   |
| 15   | 85610543 | Board-Asm,MCB,JST, 2D              |
| 16   | 85000705 | Motor Module Assembly, 1 PH        |
|      | 85000704 | Motor Module Assembly, 3 PH        |
| 17   | 8112356  | Capacitor                          |
| 18   | 8111860  | Capacity Panel Assembly            |
| 19   | 8309057  | Wire-14AWG,RED,6",Assy             |
| 20   | 8309005  | Wire-14AWG,BLCK,6",Assy            |
| 21   | 85609122 | Switch-RCKR,DPST                   |
| 22   | 8305076  | 220V, 1 PH Plug                    |
|      | 8140786  | 220V, 3 PH Plug                    |
| 23   | 929507   | Cord-Power, (Aust. Only)           |
| 24   | 929642   | Adapter-Knckt, Heyco (Aust. Only)  |
| 25   | 929643   | Relief-Strain,SR-6W-1 (Aust. Only) |
| 26   | 906058   | Relief-Strain,120V,SR-81-1         |
| 27   | 85609290 | Outlet, Panel Mount                |
| 28   | 85610253 | Screw, OHPMS, 6-32 x ½             |
| 29   | 8111055  | Nut - Hex, locking, 6-32 Insert    |

# 1500/1600 Inverter Models



## 1500/1600 Inverter Models

| Item | Part No. | Description   | Item | Part No. | Description                  |
|------|----------|---|------|----------|------------------------------|
| 1    | 925019   | Screw - Hex Hd. Self Tapping                            | 52   | 85612709 | Bracket ASM PCB              |
| 2    | 8111542  | Screw - 8-32 X 5/8 LG. Php Sem                          | 53   | 85612562 | Cable ASM Encoder Samtec/JST |
| 3    | 85611137 | Cord - Power 1 PH                                       | 54   | 85612186 | Cable Encoder Junction Drive |
|      | 8143127  | Cord - Power 3 PH                                       | 55   | 8561285  | Cable Encoder Junction PCB   |
| 4    | 8113927  | Decal-Caution/Warning                                   |      |          |                              |
| 5    | 8113996  | Standoff - 8-32X3/4                                     |      |          |                              |
| 6    | 8114184  | Cover   |      |          |                              |
| 7    | 8114212  | Assembly, Drain Wire                                    |      |          |                              |
| 8    | 8301084  | Nut, #8-32 Kep  |      |          |                              |
| 9    | 8305076  | Plug-Twist Lock,250V,20AMP,1PH                          |      |          |                              |
|      | 8140786  | Plug-Twist Lock,220V,20AMP,3PH                          |      |          |                              |
| 10   | 81142111 | Cable - CAT 5, 7' LG.                                   |      |          |                              |
| 11   | 85000361 | Standoff- Snap-Lock                                     |      |          |                              |
| 12   | 85010022 | Assy -Wire Harness, Motor                               |      |          |                              |
| 13   | 85010024 | Assy -Wire, Ground X 26' LG.                            |      |          |                              |
| 14   | 85600284 | Harness-Inverter/Motor-MOLEX(Serial# Before 2207XXXXXX) |      |          |                              |
|      | 85612942 | Harness-Inverter/Motor-TE(Serial# After 2207XXXXXX)     |      |          |                              |
| 15   | 85608188 | Harness-Fan 220V,Assy                                   |      |          |                              |
| 16   | 85609808 | PCB - Processor (1500)                                  |      |          |                              |
|      | 85608629 | PCB - Processor (1600)                                  |      |          |                              |
| 17   | 85609122 | Switch-DPST, Rocker                                     |      |          |                              |
| 18   | 85609308 | Bracket-MCB Assy  |      |          |                              |
| 19   | 85609815 | Assembly - Piezo Harness                                |      |          |                              |
| 20   | 85609818 | Assembly, MCB Cable                                     |      |          |                              |
| 21   | 85609820 | Assy, Hood Switch Cable                                 |      |          |                              |
| 22   | 85609942 | Inverter-Emerson 701, 3HP                               |      |          |                              |
| 24   | 85610107 | Cable-RJ45 - RJ12 Assy                                  |      |          |                              |
| 25   | 85610232 | Cable, Sonar Chassis (1500 only)                        |      |          |                              |
|      | 85611014 | Cable, Sonar Chassis, Pedal (1600 only)                 |      |          |                              |
| 26   | 85610237 | Cable-Emrsn,W/Trmnl,Assy                                |      |          |                              |
| 27   | 85610274 | Rivet-Plastic, A3/16"                                   |      |          |                              |
| 28   | 85610527 | Board-Supply,Power,Inverter                             |      |          |                              |
| 29   | 85610588 | Shield-Acrylic, IB Laser                                |      |          |                              |
| 30   | 85610644 | Bracket-Inverter, Reverse                               |      |          |                              |
| 31   | 85610645 | Weldment-Cover, WND                                     |      |          |                              |
| 33   | 85610649 | Bracket-Terminal Strip, Side                            |      |          |                              |
| 34   | 85610672 | Harness-Asm,Pwr, 4X 14AWG                               |      |          |                              |
| 35   | 929507   | Cord-Power, (Aust. Only)                                |      |          |                              |
| 36   | 929642   | Adapter-Knckt,Heyco (Aust. Only)                        |      |          |                              |
| 37   | 929643   | Relief-Strain,SR-6W-1 (Aust. Only)                      |      |          |                              |
| 38   | 929643   | Relief-Strain,120V,SR-81-1                              |      |          |                              |
| 39   | 85609290 | Outlet, Panel Mount                                     |      |          |                              |
| 40   | 85610253 | Screw, OHPMS, 6-32 x 1/2                                |      |          |                              |
| 41   | 8111055  | Nut - Hex, locking, 6-32 Insert                         |      |          |                              |
| 42   | 85610727 | Ground Wire   |      |          |                              |
| 43   | 8301067  | Screw- #6-32 X Phil. (1600 with LED Bar Only)           |      |          |                              |
| 44   | 85611225 | Spacer-Snap-In,ML/FML (1600 with LED Bar Only)          |      |          |                              |
| 45   | 85611226 | Supply-Pwr, 220VAC/24VDC (1600 with LED Bar Only)       |      |          |                              |
| 46   | 85611222 | Harness-Pwr,Switch, 48"                                 |      |          |                              |
| 47   | 85611223 | Harness-Pwr,LED, 48"                                    |      |          |                              |
| 48   | 85611427 | Harness-Ground Strap                                    |      |          |                              |
| 49   | 85611426 | Standoff-Hex, Male/Female                               |      |          |                              |
| 50   | 901724   | Washer, Lock, #8  |      |          |                              |
| 51   | 85611425 | Screw- #8-32 X Pan Head Slot, Nylon                     |      |          |                              |

