

GENERAL REPAIR

Complete Your Shop With Coats Equipment



1185 WHEEL BALANCER



Color LCD Video Display



Bottom Dead Center Laser



Live Position
Indexing Navigation

1185 WHEEL BALANCER

To learn more about Coats products, contact your authorized Coats distributor for the dealer nearest you.

COATS®

CONTACT US NOW

www.coatsgarage.com
or call 1-855-876-3864

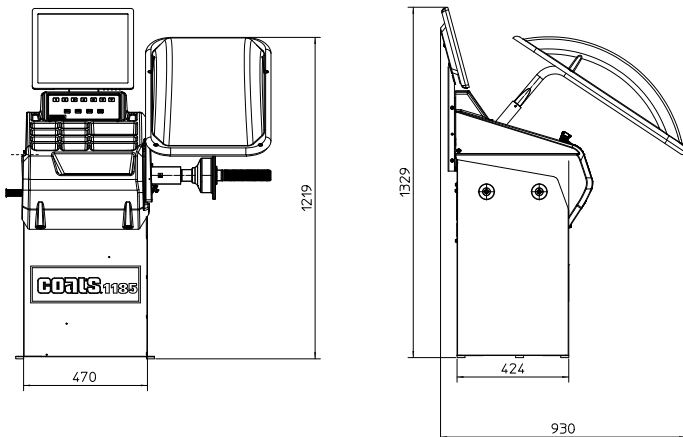


1185 WHEEL BALANCER

SPECIFICATIONS

Balancing Modes	5
Display / User Interface	LCD video display / SoftTouch key input
Data Entry	A&D Arm
Hidden Weight Mode	Yes
Cones Included	Cones (A,B,C & D)
Laser	6 o'clock bottom center
Braking System	Automatic
Auto Start	Yes - hood close
Max Assembly Weight	130 Lbs
Max Tire Width	20"
Max Wheel Diameter	30"
Balancing Speed	<130 rpm
Shaft Diameter	40mm
Imbalance Resolution	0.1 oz
Electrical requirements	110V, 1 ph, 50/60 Hz, 3 amp
Weight	243 Lbs
Footprint	36.96 x 39.60 x 52.32
Part Number	8001185
Warranty	1 Year Parts, 6 Months Labor

EQUIPMENT FOOTPRINT



ACCESSORIES

Included With Purchase

Part Number	Description
8112098	Small A Cone
8112099	Medium B Cone
8112100	Large C Cone
8112101	Light Truck D Cone
8113175	Premium Wheel Weight Hammer
8309011	Calipers
8112103	Hub Nut
8112106	Small Pressure Drum w/Ring
8112421	Short Cone

RECOMMENDED OPTIONAL ACCESSORIES



Light Truck Back
Cone Spacer
(PN 85606394)



In-between Cone
Set
(PN 8113795)



Light Truck Cone
Kit
(PN 8113277C)



2-Jaw Slide Nut
Kit
(PN 85009998)



Adjustable Pin
Plates
(PN 85610104)



Double Sided Low
Angle Collets
(PN 85609499)

COATS