

# COATS®

## Models 1175A/1175B Wheel Balancers



### *Parts Identification*

READ these instructions before placing unit in service KEEP these and other materials delivered with the unit in a binder near the machine for ease of reference by supervisors and operators.

**HENNESSY**  
INDUSTRIES

1601 J. P. Hennessy Drive, LaVergne, TN USA 37086 615/641-7533 800/688-6359  
HENNESSY INDUSTRIES INC. Manufacturer of AMMCO®, COATS® and BADA® Automotive Service Equipment and Tools.

Manual Part No.: 85008896 04  
Revision: 02/17

## **Parts Identification**

The following pages include parts breakdowns with exploded view illustrations to help with ordering replacement or spare kits. Assemblies are noted where it is recommended that individual parts not be ordered separately. Every effort is made to supply accurate exploded views, however, due to interim changes in manufacturing operations, some units may not be exactly as illustrated.

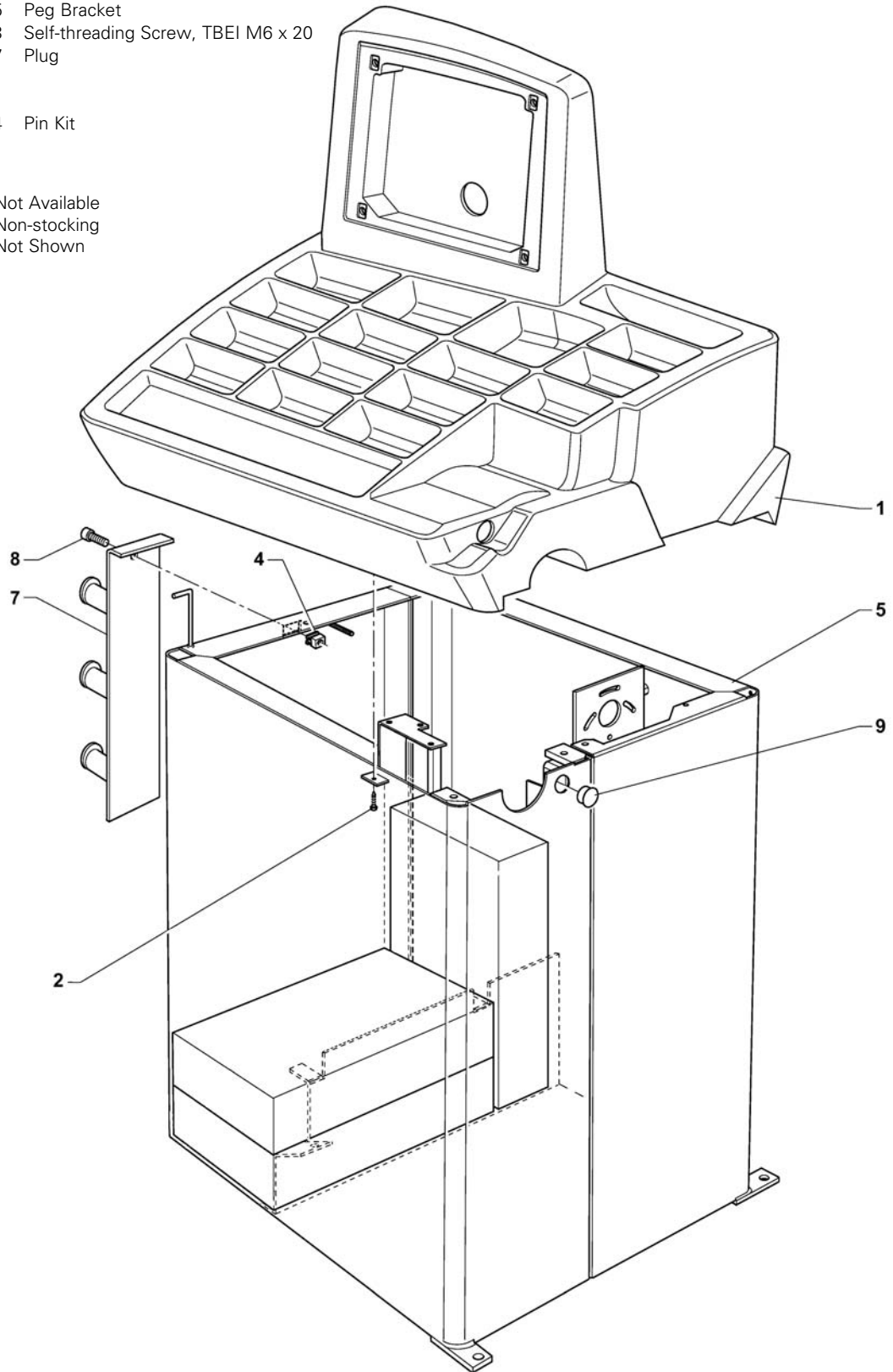
# Chassis Assembly

REF.	PART NO.	DESCRIPTION	
1	85008973	Cover with Weight Tray	
2	85009131	Self-threading Screw, 6.3 x 25	
4	85009112	Square Nut, M6-956 BS	
NA	5	85008974	Chassis
7	85008975	Peg Bracket	
8	85009133	Self-threading Screw, TBEI M6 x 20	
9	85008957	Plug	

Not Shown

\* 846FB83094 Pin Kit

NA Not Available  
 NS Non-stocking  
 \* Not Shown



# Motor & Piezo Assembly (1175A)

REF.	PART NO.	DESCRIPTION
1	85008953	Compl. Position Pick Up
2	85009097	Elastic Washer, 3
4	85009098	Screw, TPS M3 x 10
5	85008910	Position Pick Up Board
6	80180021	Flat Washer, F3.2
7	85009099	Nut, M3
8	85009100	Screw, M6 x 18
9	80180036	Elastic Washer, 6.4
10	80180049	Flat Washer, F6.4
11	85009101	Screw TE M5 x 12 Tensilock
15	85009102	Washer, 4.3 x 16 1.5
16	85009103	Screw, TCEI M4 x 12
17	85009104	Elastic Washer, 4.3
19	80180068	Drive Belt
20	80180055	Flat Washer
21	80180054	Nut, M10
28	85008979	Spacer No BP

**ITEM DESCRIPTION**

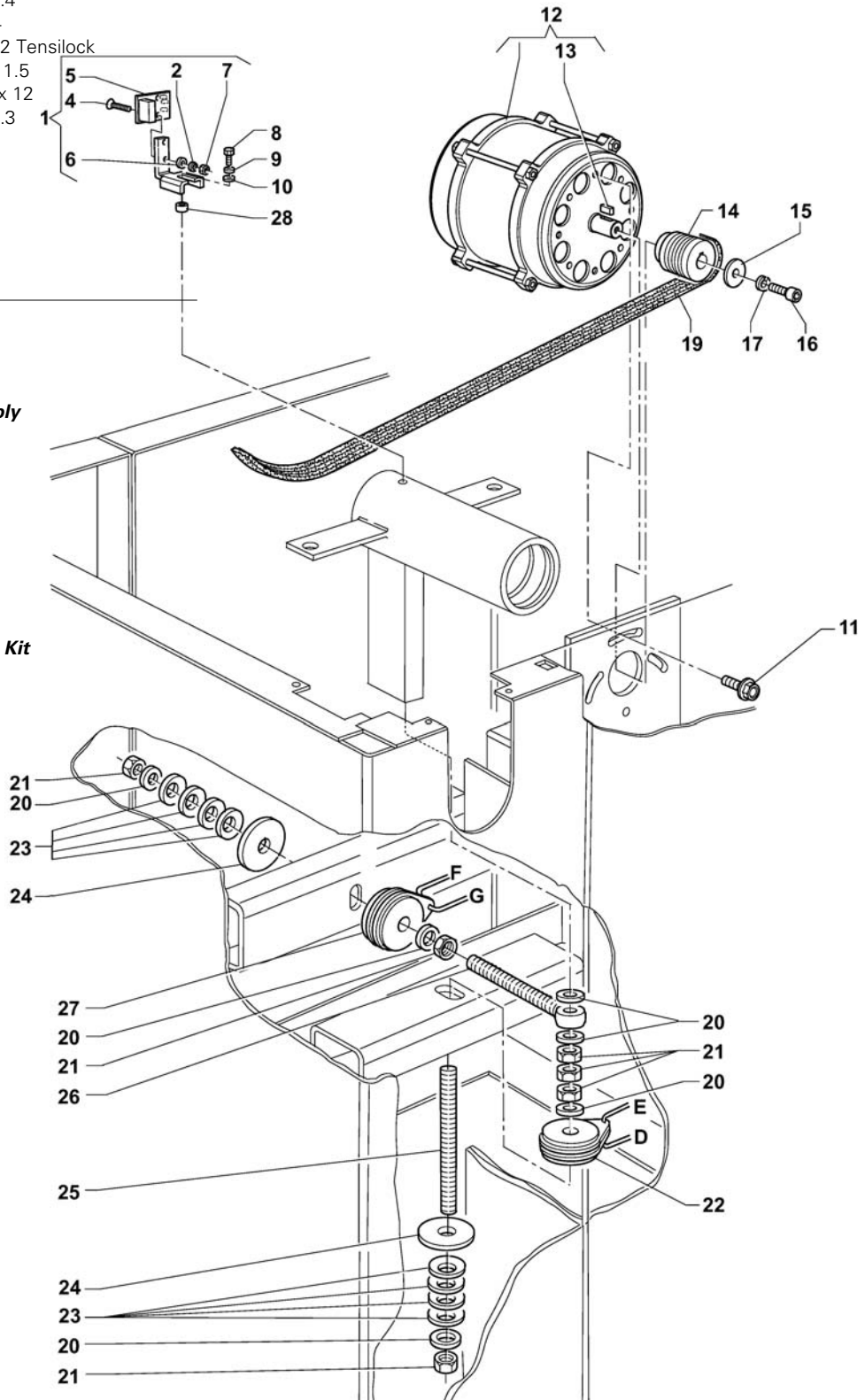
**P/N 85008927 230V Motor w/Key**  
 12 230V Motor  
 13 Motor Key

**P/N 85008980 230V Motor Assembly**  
 11 Screw  
 12 230V Motor  
 13 Motor Key  
 14 Drive Pulley  
 15 Flat Washer  
 16 Screw  
 17 Spring Washer  
 19 Drive Belt

**P/N 85008984 Piezo w/connectors Kit**  
 20 Flat Washer  
 21 Hex Nut  
 22 Piezo Assembly  
 23 Cup Spring  
 24 Flat Washer  
 25 Threaded Bar  
 26 Eye Rod  
 27 Piezo Assembly

NA Not Available  
 NS Non-stocking  
 \* Not Shown

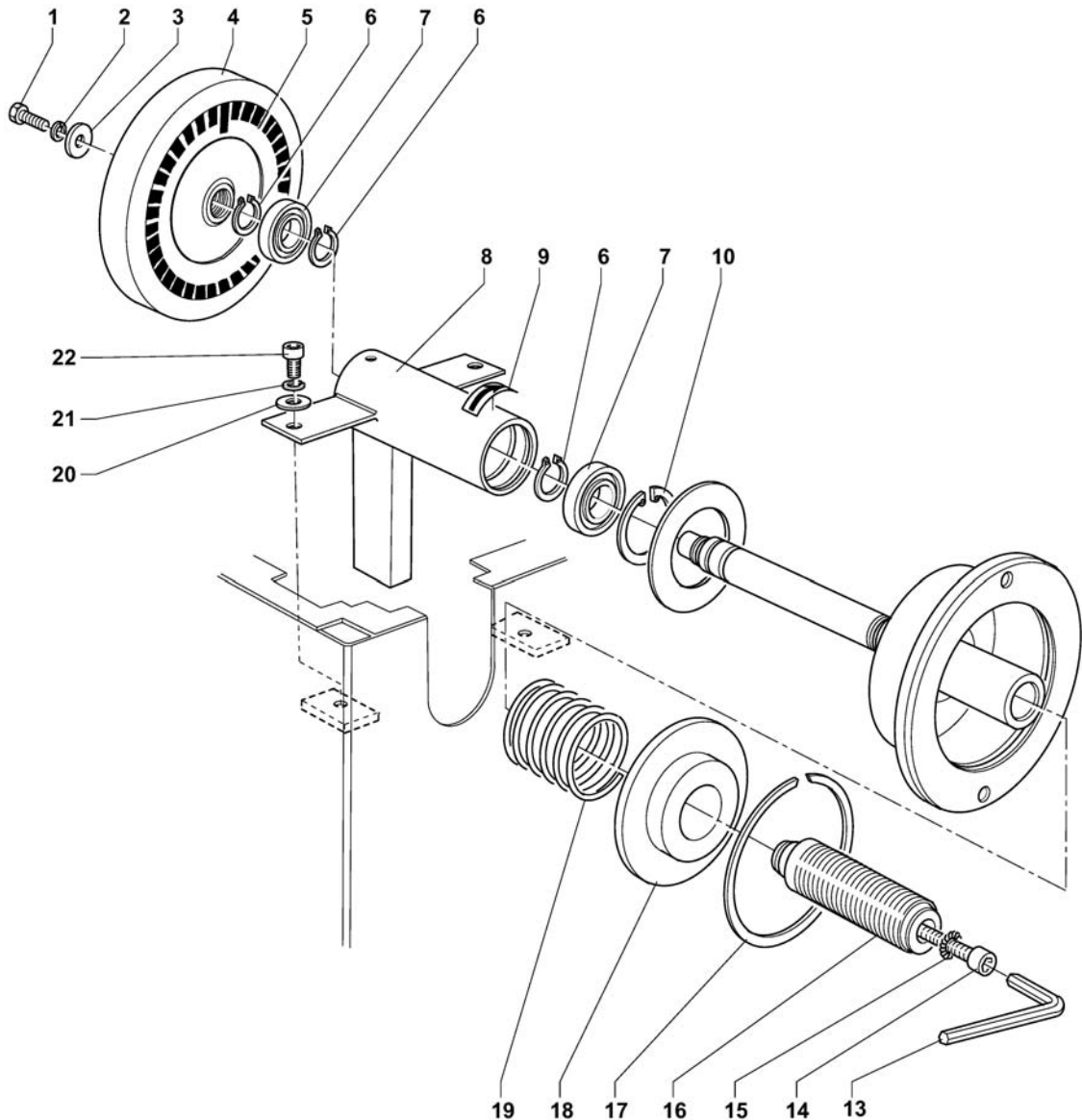
D=WHITE  
 E=YELLOW  
 F=YELLOW  
 G=BLUE



## Shaft Assembly (1175A)

REF.	PART NO.	DESCRIPTION
1	80180062	Screw, M10 x 25
2	80180063	Elastic Washer
3	80180064	Flat Washer, F11 x 30
4	85008949	Drive Pulley
5	85008950	Encoder Phase Disc
6	85009090	Seeger Ring, 25E
7	85008914	Bearing
8	85008976	Leaf Spring Set
9	8110241	Weight Position Decal
10	85009091	Seeger Ring, 47I
13	85009092	Allen Wrench, 8mm
14	80180070	Screw, M10 x 160
15	80180071	Knurled Washer, F10.5
16	85009009	40mm Shaft
17	85009093	Seeger Ring, SB118
18	85008951	Spring Cover
19	85008915	Spring Shaft Assembly
20	85009094	Flat Washer, F9 x 17
21	85009095	Elastic Washer, 8.4
22	85009096	Screw, TCEI M8 x 16

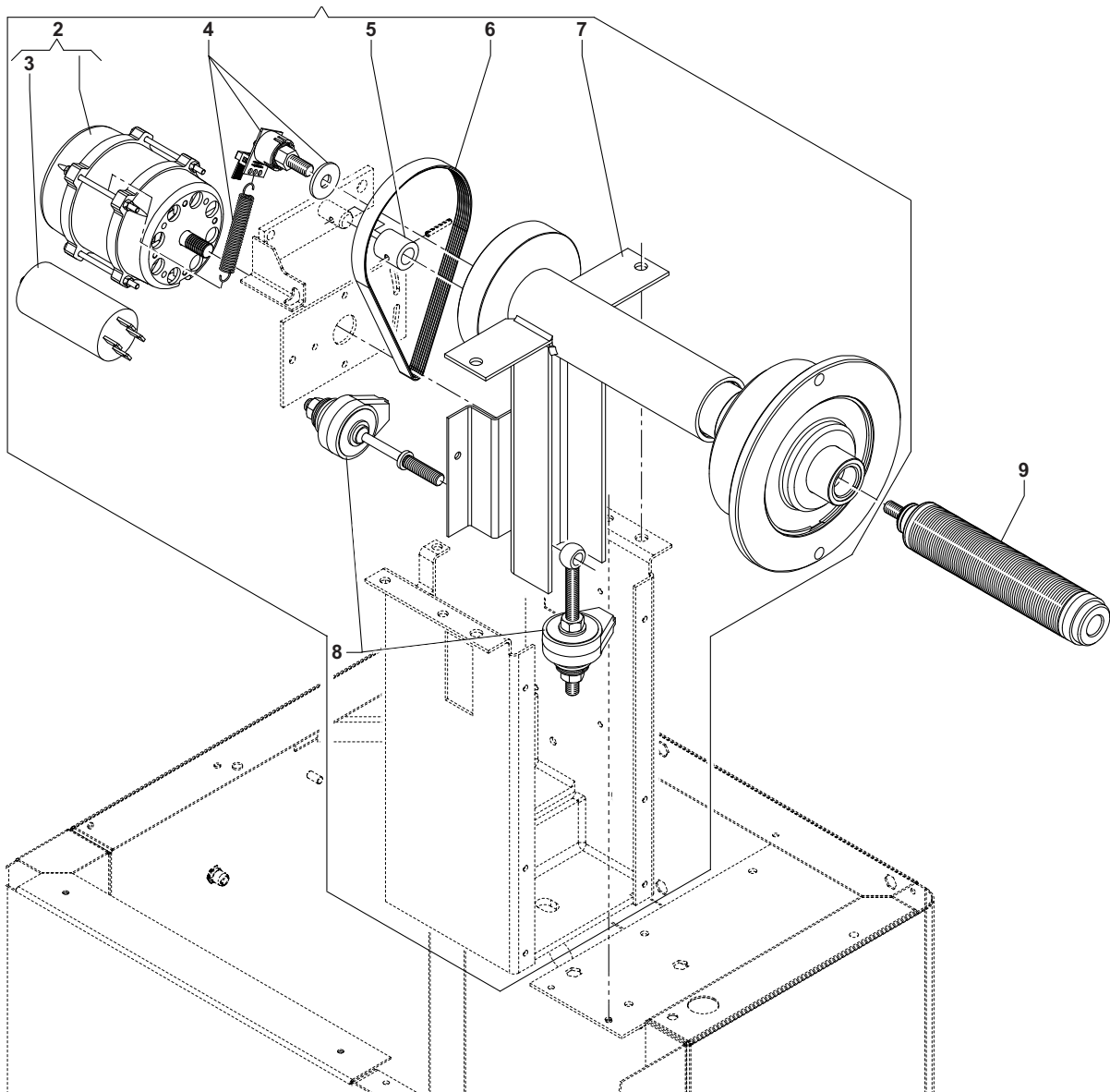
NA Not Available  
 NS Non-stocking  
 \* Not Shown



# Motor, Piezo & Shaft Assembly (1175B)

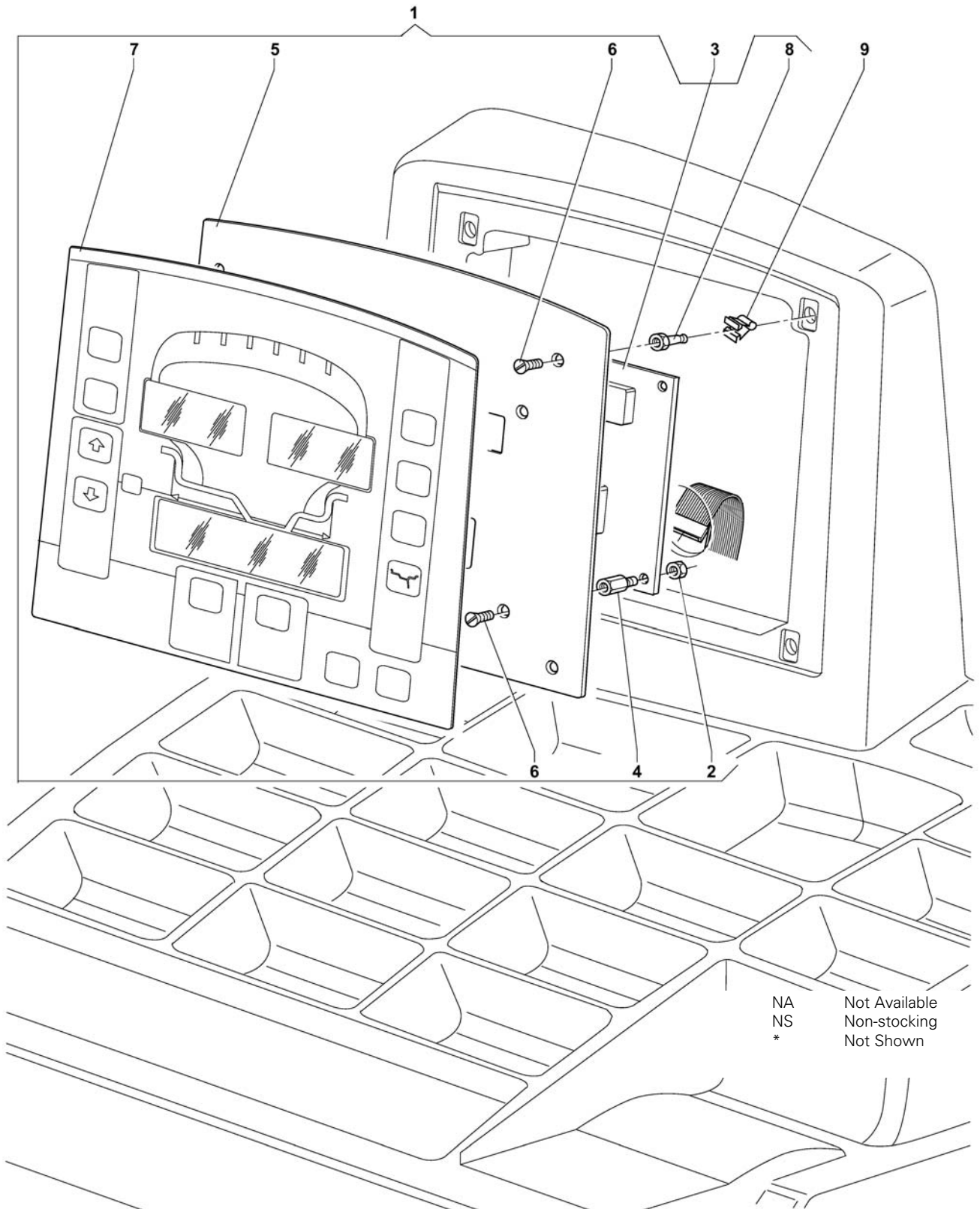
REF.	PART NO.	DESCRIPTION
2	85607469	Motor + Capacitor 115V
3	85008918	Capacitor 115V
4	84RSD86802	Compl. Position Pick Up
5	842FB85708	Brake Pad
6	8080048009	Rigid Belt
7	84RFM83650	Comp. 40mm Shaft
8	85008984	Comp. Piezo Assembly
9	846FM79967	40mm Stub Shaft

NA Not Available  
 NS Non-stocking  
 \* Not Shown



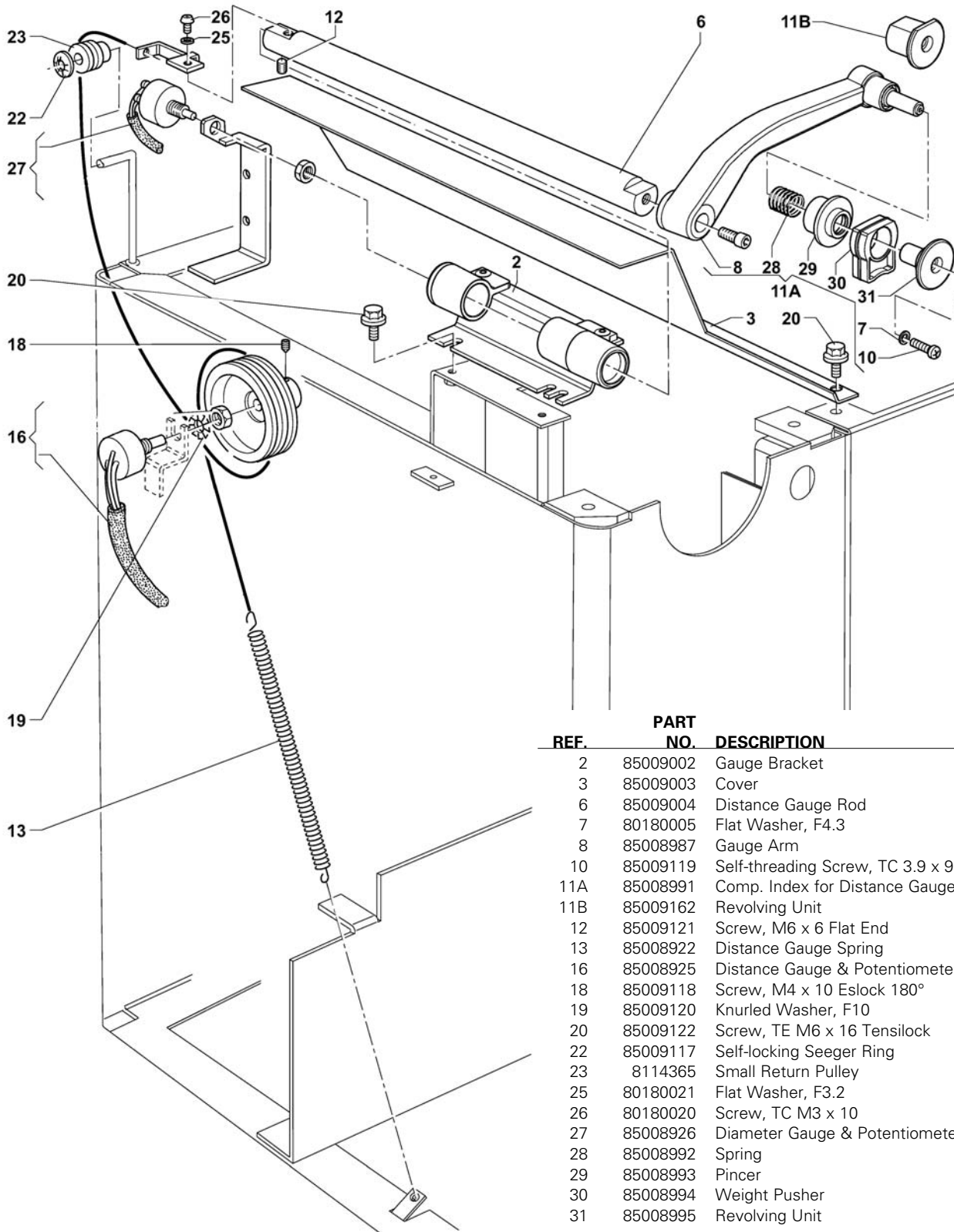
# Touch Panel Assembly

ITEM	DESCRIPTION	REF.	PART NO.	DESCRIPTION
P/N	85008977 Touch Panel Assembly	2	85009099	Nut, M3
2	Nut	3	85008924	Computer Board (1175A)
4	Spacer, M3 7mm		886SC90893	Computer Board (1175B)
5	Panel Support	4	85009106	Spacer, M3 7mm
6	8315231015 TPS M3 x 6 Screw	8	85009107	Hex Pin, 6 x 16.5 M3
7	Control Panel	9	85009108	Rapid Connection, C4434-10
8	Rapid Pin			



NA Not Available  
 NS Non-stocking  
 \* Not Shown

## Distance Gauge (1175A)



REF.	PART NO.	DESCRIPTION
2	85009002	Gauge Bracket
3	85009003	Cover
6	85009004	Distance Gauge Rod
7	80180005	Flat Washer, F4.3
8	85008987	Gauge Arm
10	85009119	Self-threading Screw, TC 3.9 x 9.5
11A	85008991	Comp. Index for Distance Gauge
11B	85009162	Revolving Unit
12	85009121	Screw, M6 x 6 Flat End
13	85008922	Distance Gauge Spring
16	85008925	Distance Gauge & Potentiometer
18	85009118	Screw, M4 x 10 Eslock 180°
19	85009120	Knurled Washer, F10
20	85009122	Screw, TE M6 x 16 Tensilock
22	85009117	Self-locking Seeger Ring
23	8114365	Small Return Pulley
25	80180021	Flat Washer, F3.2
26	80180020	Screw, TC M3 x 10
27	85008926	Diameter Gauge & Potentiometer
28	85008992	Spring
29	85008993	Pincer
30	85008994	Weight Pusher
31	85008995	Revolving Unit

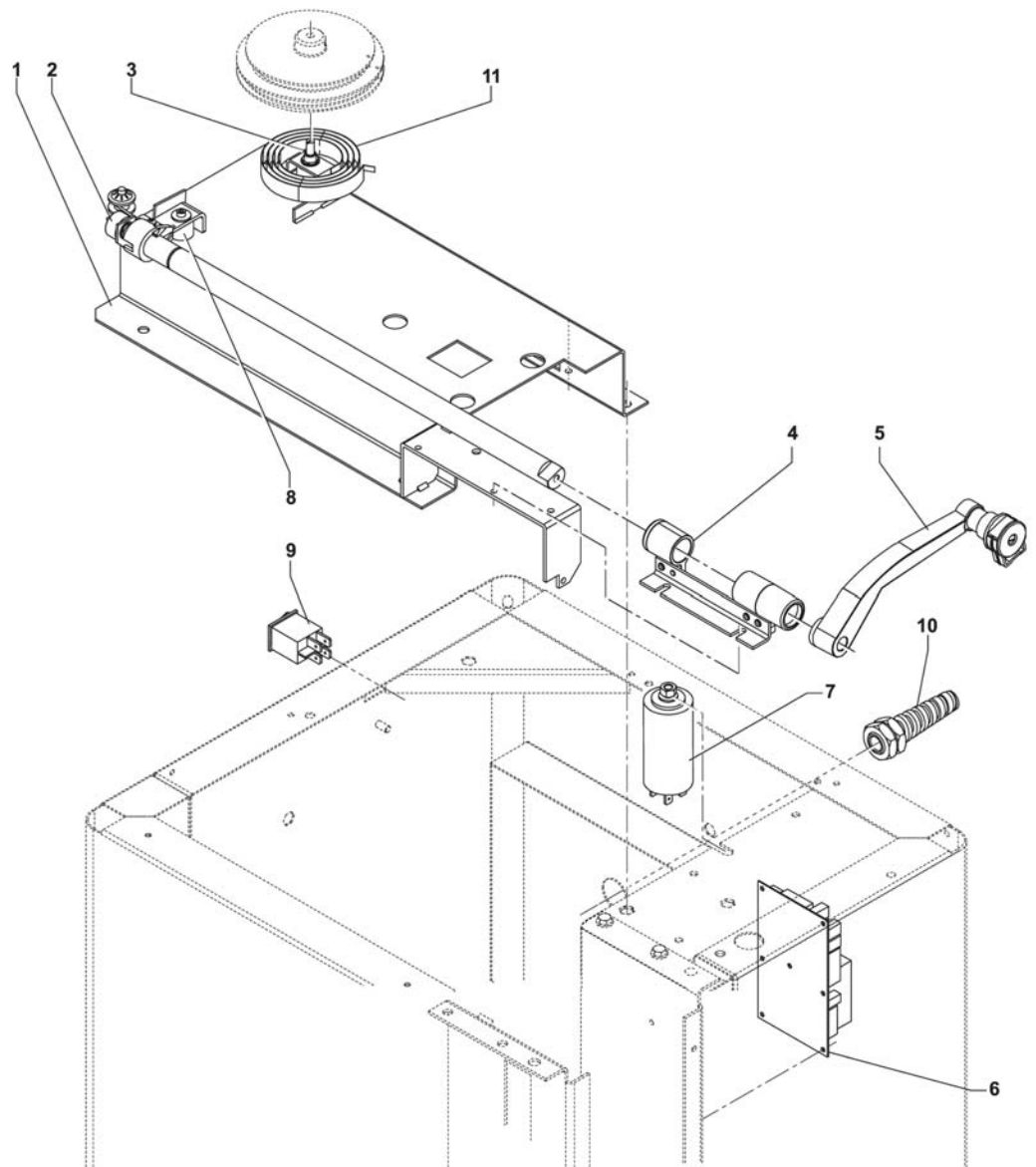
NA Not Available  
 NS Non-stocking  
 \* Not Shown



## Distance Gauge (1175B)

REF.	PART NO.	DESCRIPTION
1	846FC84351	Distance Gauge
2	886SB67291	Diameter Potentiometer
3	886SB67291	Distance Potentiometer
4	846FC81349	Distance Gauge Bracket
5	846FC61931	Comp. Index for Distance Gauge
6	85008917	Power Supply Board 115V
7	85008918	Capacitor 115V
8	NS	Counterweight
9	85008907	Platform Switch
10	85009001	Cable Circlip
11	818FC38385	Spiral Spring

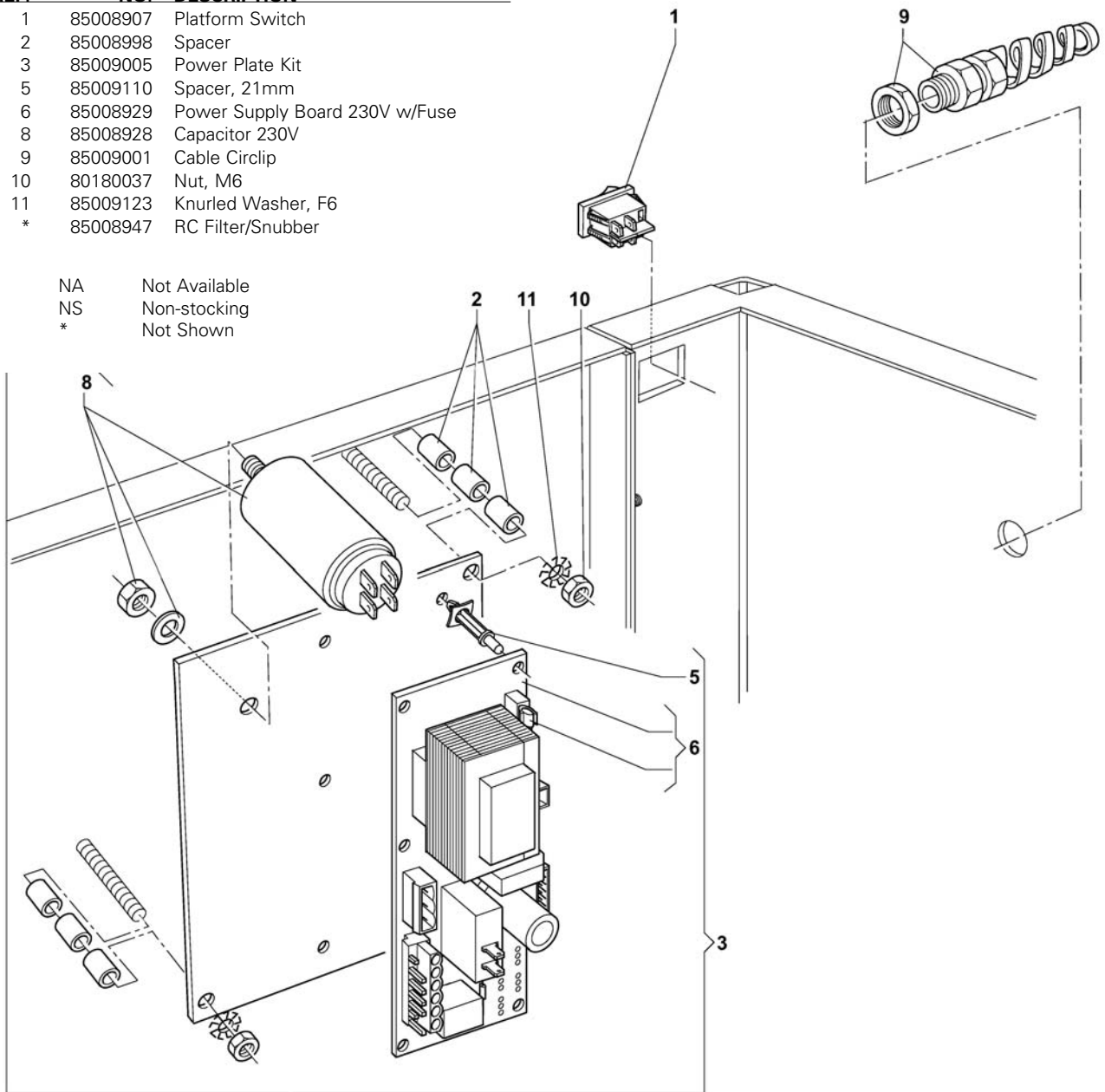
NA Not Available  
 NS Non-stocking  
 \* Not Shown



## Power Panel

REF.	PART NO.	DESCRIPTION
1	85008907	Platform Switch
2	85008998	Spacer
3	85009005	Power Plate Kit
5	85009110	Spacer, 21mm
6	85008929	Power Supply Board 230V w/Fuse
8	85008928	Capacitor 230V
9	85009001	Cable Circlip
10	80180037	Nut, M6
11	85009123	Knurled Washer, F6
*	85008947	RC Filter/Snubber

NA Not Available  
 NS Non-stocking  
 \* Not Shown



## Harnesses

REF.	PART NO.	DESCRIPTION
*	85008908	Hood Switch Harness
*	85008919	Encoder Cable
*	85008923	Display Power Ribbon
*	85009163	Ground Cable For Display
*	85009006	Power Cord, 115V
*	85009007	Power Cord, 230V
*	85009008	Cord from Switch to MCB
*	85009025	Piezo/Display Cable

\*Not Shown

# Wheel Guard

**ITEM DESCRIPTION**

**P/N 85008970 Wheel Guard**

- 8 Wheel Guard
- 9 Self-threading Screw
- 11 Tube Chassis

REF	PART NO.	DESCRIPTION
1	85008968	Plug
2	85009124	Screw, M6 x 10
3	85008967	Stop Ring
4	85009024	Bushing
5	85008978	Support
6	85009125	Screw, TE M8 x 30
7	85009126	Nut, M8
10	85008971	Spring
12	801800082	Flat Washer, F8.4
13	85009095	Elastic Washer, 8.4
14	85009128	Screw, TC M8 x 20
15	85009129	Square Nut M8
16	85008921	Cable w/microswitch
17	85607248	Microswitch
18	85009130	Screw, M6 x 10

